

STATE OF ILLINOIS
DEPARTMENT OF TRANSPORTATION

ROUTE NO.	SECTION	COUNTY	TOTAL SHEETS	SHEET NO.	SHEET NO. 5
		LAKE	11	9	6 SHEETS
FED. ROAD DIST. NO. 7	ILLINOIS	FED. AID PROJECT			

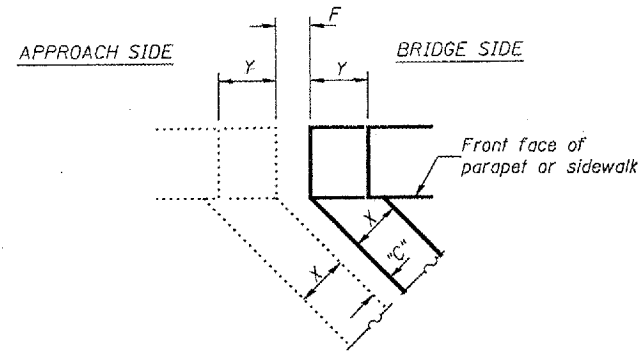
Contract No. 62874

INSTALLATION NOTES

- ① Reinstall existing continuous seal in roadway, parapet, curb, and sidewalk.
- ② Reinstall anchor blocks as indicated.

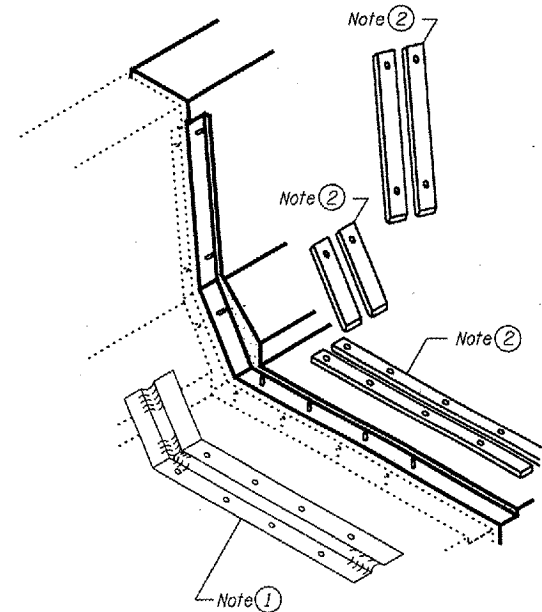
SKEW LIMITATIONS

The details of the anchor blocks and the elastomeric membrane in the parapet, as shown, are for up to 50° skews. For skews greater than 50°, the anchor blocks and the elastomeric membrane, installed according to dimension "D", might require modifications to insure a minimum clearance of 1/2" from centerline of anchor studs to edge of parapet opening. The anchor blocks and the elastomeric membrane shall also be installed to the top of the parapet with the anchor studs spaced at ±12" cts.

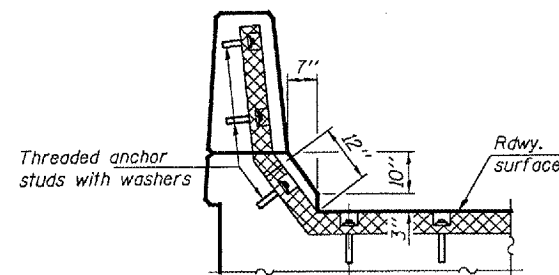


FORMING BLOCKOUT SKETCH

Note: For dimensions C, D, F, X & Y, match existing

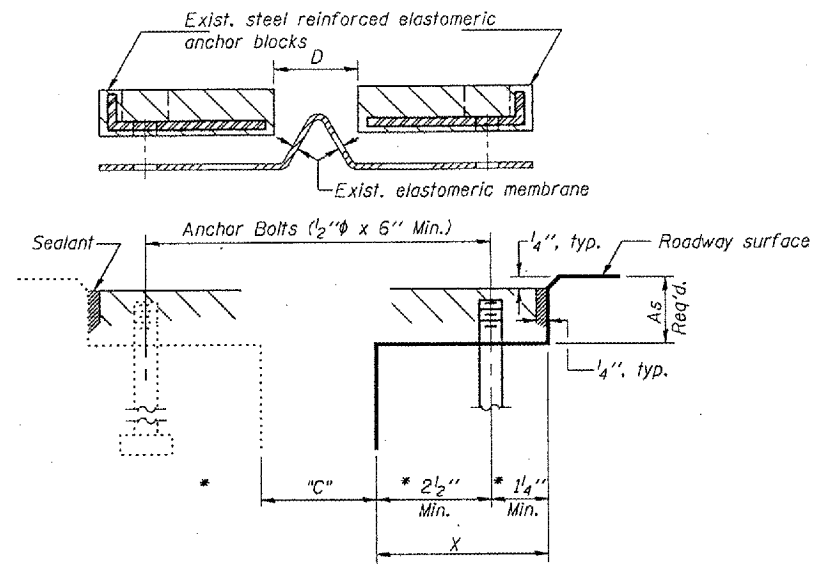


AT PARAPET



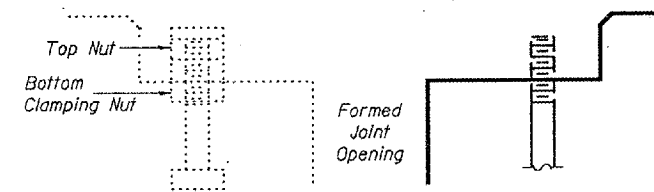
AT PARAPET

Drill & grout threaded rods using existing anchor blocks as a template.



CROSS SECTION

* Match existing



RECOMMENDED BLOCKOUT DETAIL

Anchor studs should be stainless

DESIGNED	JSB
CHECKED	PSJ
DRAWN	baliva
CHECKED	JSB PSJ

MARCH 15, 2005
EXAMINED *John A. Morris*
ENGINEER OF STRUCTURAL SERVICES
PASSED *Ralph E. Anderson*
ENGINEER OF BRIDGES AND STRUCTURES

NEOPRENE EXPANSION JOINT DETAILS
IL RTE 137 OVER US RTE 45
LAKE COUNTY
SN 049-0170