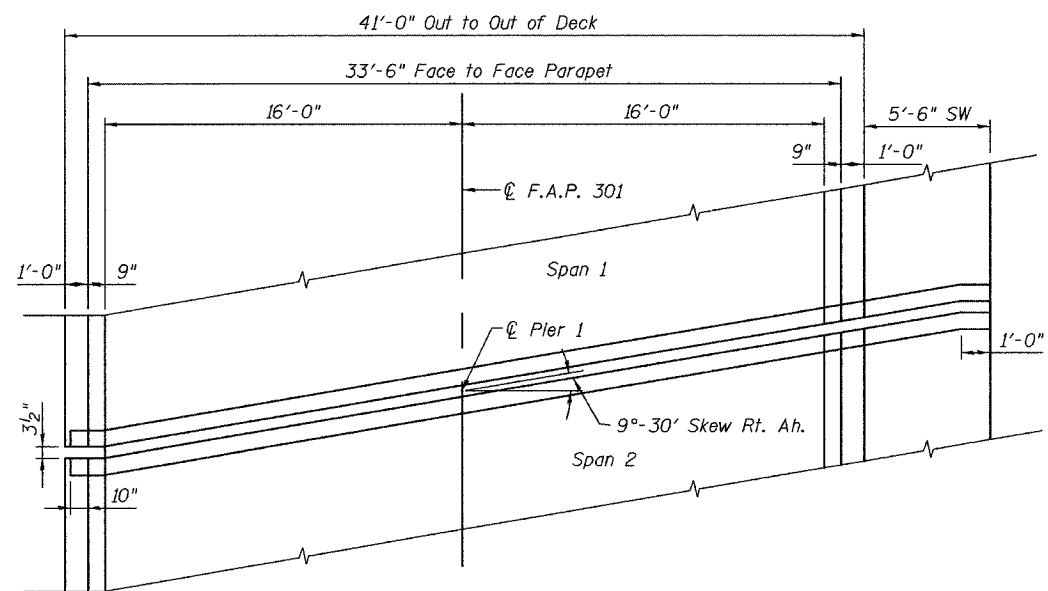


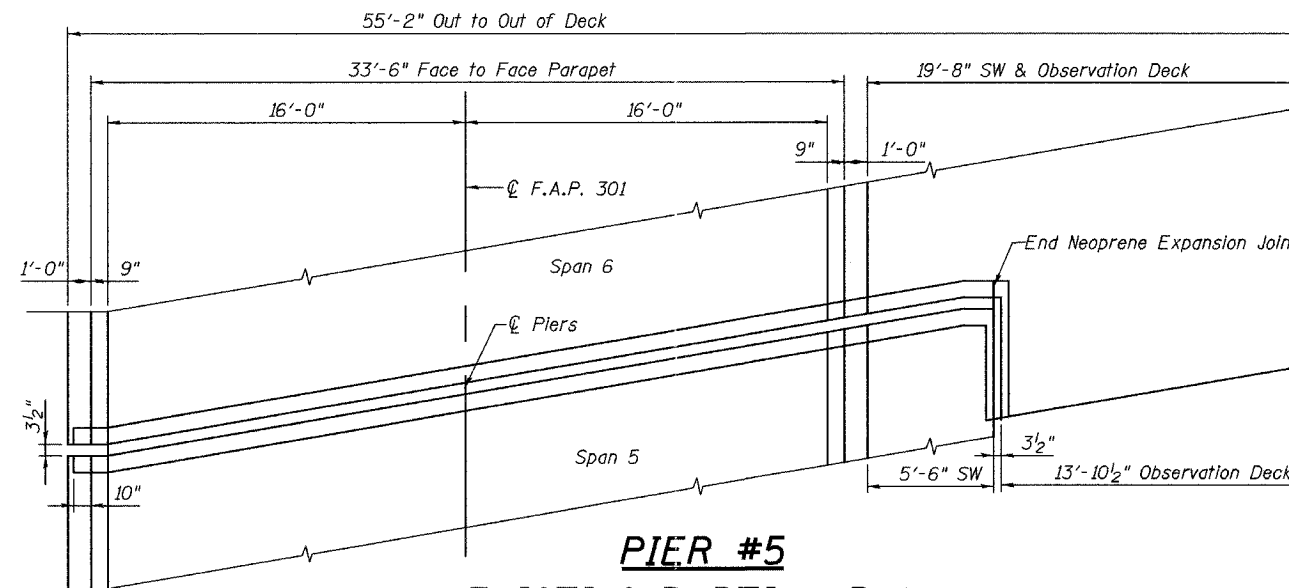
STATE OF ILLINOIS
DEPARTMENT OF TRANSPORTATION

ROUTE NO.	SECTION	COUNTY	SHEETS	SHEET
	*	JoDaviess	7	4
F.R.L.				
P.A.L.				
FED. ROAD DIST. NO. 7	ILLINOIS	FED. AID PROJECT		

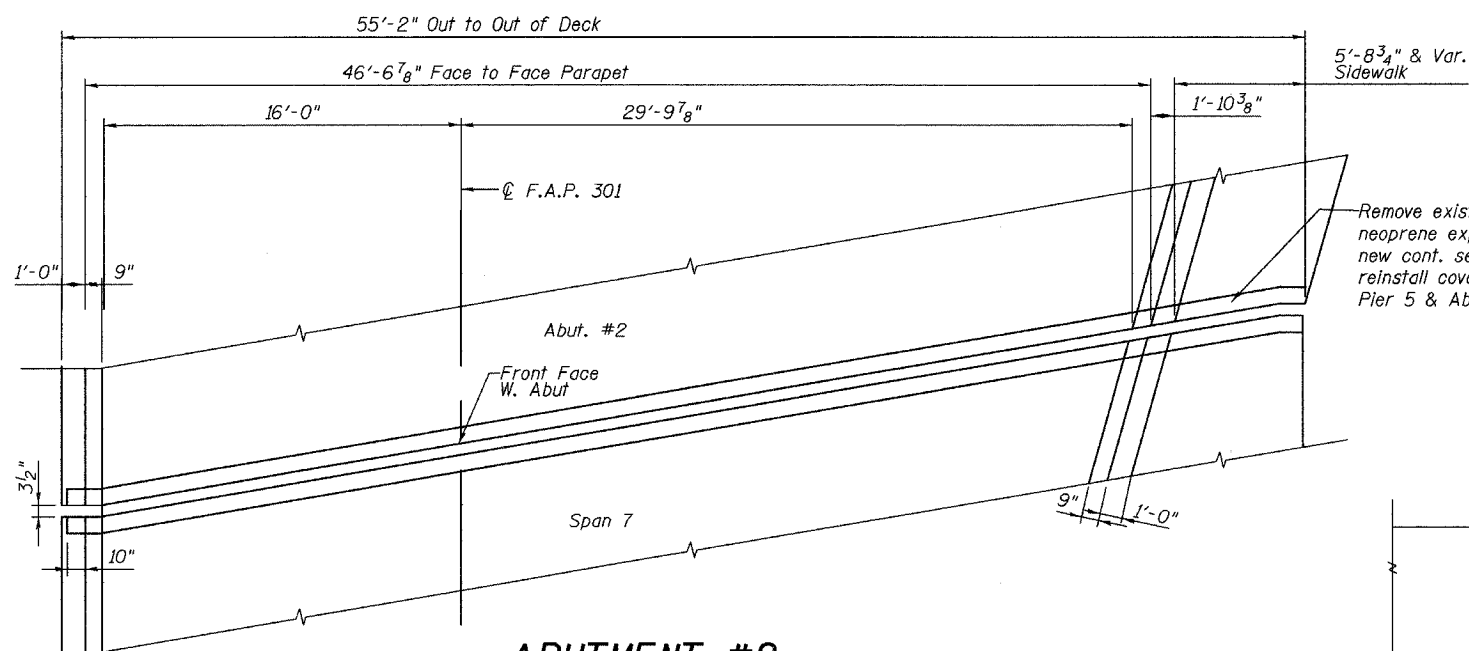
*(102VBR-M) CONTRACT #64A87



PIER #1
EXISTING PARTIAL PLAN
(FACING WEST)



PIER #5
EXISTING PARTIAL PLAN
(FACING WEST)



ABUTMENT #2
EXISTING PARTIAL PLAN
(FACING WEST)

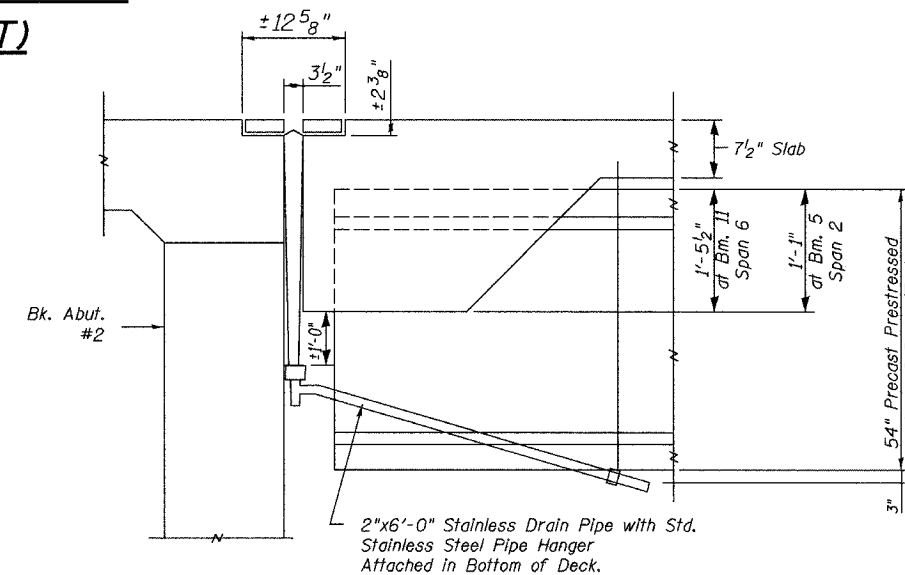
Remove exist. stainless steel cover plate and neoprene expansion joint on sidewalk. Install new cont. seal neoprene expansion joint and reinstall cover plate typ. at Pier 1, Pier 5 & Abutment #2

BILL OF MATERIAL - JOINTS

ITEM	UNIT	TOTAL
Neoprene Expansion Joint 4"	Foot	140
Fabric Reinforced Elastomeric Trough	Foot	137
* Silicone Joint Sealer	Foot	25

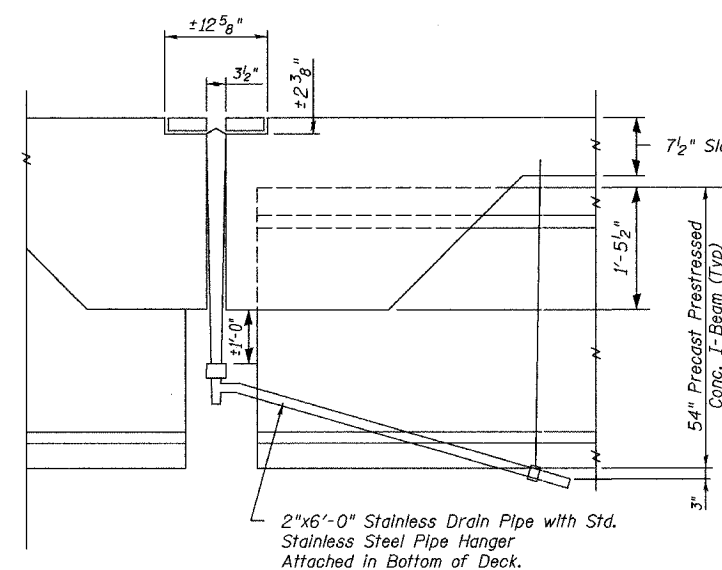
* See Sheet 7 of 7 for Location

DESIGNED	SB, DP
CHECKED	SB
DRAWN	BH, BS
CHECKED	SB



TYP. SEC. SHOWING DRAIN TROUGH @ ABUT. #2
(Pier 1 Similar)

Note: Cost of drain, pipe, and fittings considered included with Fabric Reinforced Elastomeric Trough



TYP. SEC. SHOWING DRAIN TROUGH @ PIERS

JOINT DETAILS
F.A.P Route 301 (U.S. Route 20)
SECTION 102VBR-M
JoDAVIESS COUNTY
SN 043-0043