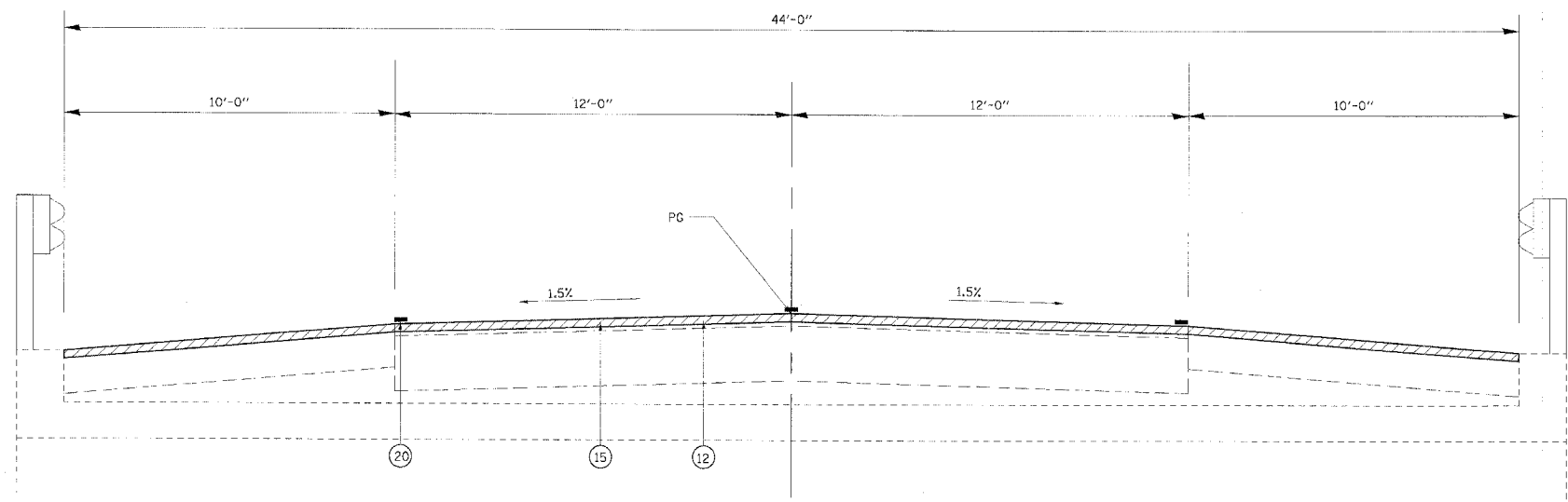


F.A.P. RTE.	SECTION	COUNTY	TOTAL SHEETS	SHEET NO.
317	*	LIVINGSTON	205	14
STA.		TO STA.		
CONTRACT NO. 66261				
• 25 RS-2 & 26 RS-4				

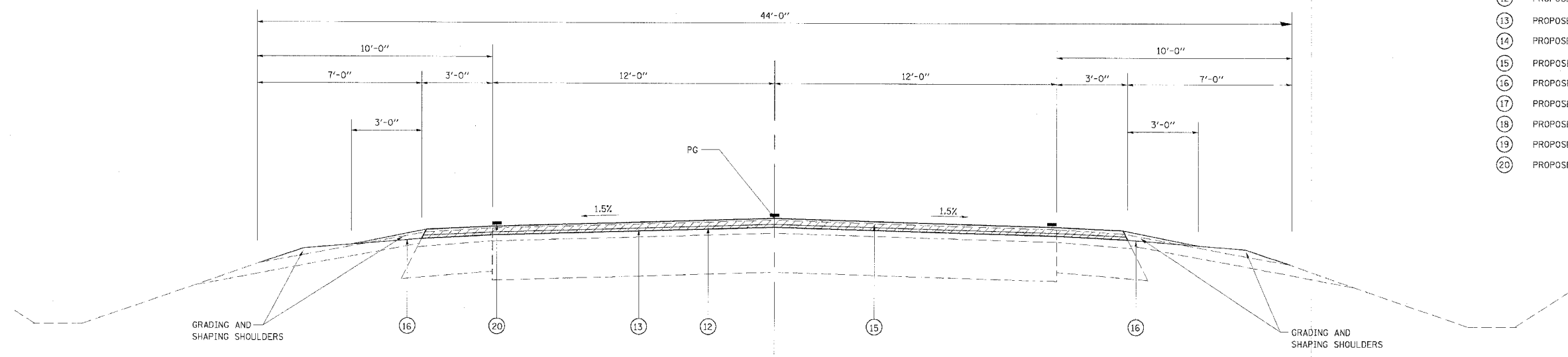


**PROPOSED TANGENT SECTION**

STA 359+15.13 TO STA 359+36.80  
TRIPLE BOX CULVERT 053-2003

**LEGEND**

- ① EXISTING PCC PAVEMENT 10"
- ② EXISTING BITUMINOUS SURFACE, VARIABLE DEPTH
- ③ EXISTING BITUMINOUS SHOULDER
- ④ EXISTING AGGREGATE SHOULDER
- ⑤ EXISTING BITUMINOUS WIDENING
- ⑥ EXISTING CONCRETE CURB AND GUTTER, TYPE B-6.24
- ⑦ EXISTING CONCRETE SIDEWALK
- ⑧ EXISTING BINDER COURSE VARIABLE DEPTH
- ⑨ PROPOSED AGGREGATE SHOULDERS, TYPE B, 6"
- ⑩ PROPOSED BITUMINOUS SHOULDERS SUPERPAVE 8"
- ⑪ PROPOSED INCIDENTAL BITUMINOUS SURFACING 3"
- ⑫ PROPOSED BITUMINOUS SURFACE REMOVAL 1 1/2"
- ⑬ PROPOSED LEVELING BINDER (MACHINE METHOD), SUPERPAVE N70 (3/4")
- ⑭ PROPOSED LEVELING BINDER (MACHINE METHOD), SUPERPAVE N70 (3/4" TO 1 1/2")
- ⑮ PROPOSED BITUMINOUS CONCRETE SURFACE COURSE, SUPERPAVE, MIX "D", N70 (1 1/2")
- ⑯ PROPOSED AGGREGATE SHOULDERS, TYPE B (VARIES 0 - 2 1/4")
- ⑰ PROPOSED BITUMINOUS BASE COURSE SUPERPAVE 9"
- ⑱ PROPOSED SUB-BASE GRANULAR MATERIAL, TYPE A 4"
- ⑲ PROPOSED BITUMINOUS SURFACE REMOVAL - VARIABLE THICKNESS (0" TO 1 1/2")
- ⑳ PROPOSED THERMOPLASTIC PAVEMENT MARKING (☐ AND EDGE LINE)



**PROPOSED TANGENT SECTION**

STA 360+91.00 TO STA 366+04.00  
STA 379+97.00 TO STA 384+97.00

REVISIONS	
NAME	DATE

ILLINOIS DEPARTMENT OF TRANSPORTATION  
**PROPOSED TYPICAL SECTIONS**

FAP 317 (US ROUTE 24)  
SECTION 25 RS-2 & 26 RS-4  
LIVINGSTON COUNTY

SCALE: \_\_\_\_\_  
DATE \_\_\_\_\_

DRAWN BY BANDY  
CHECKED BY STEUART