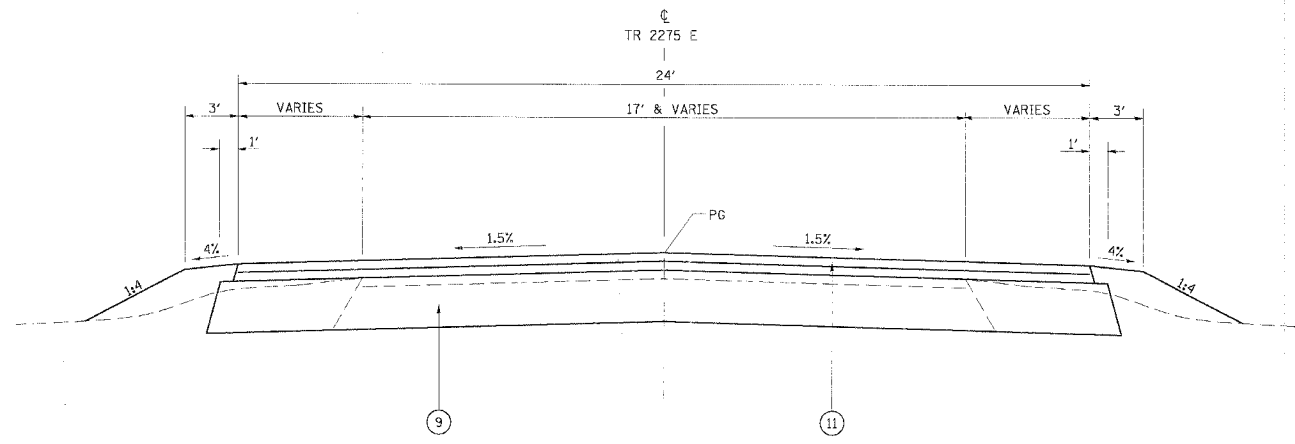
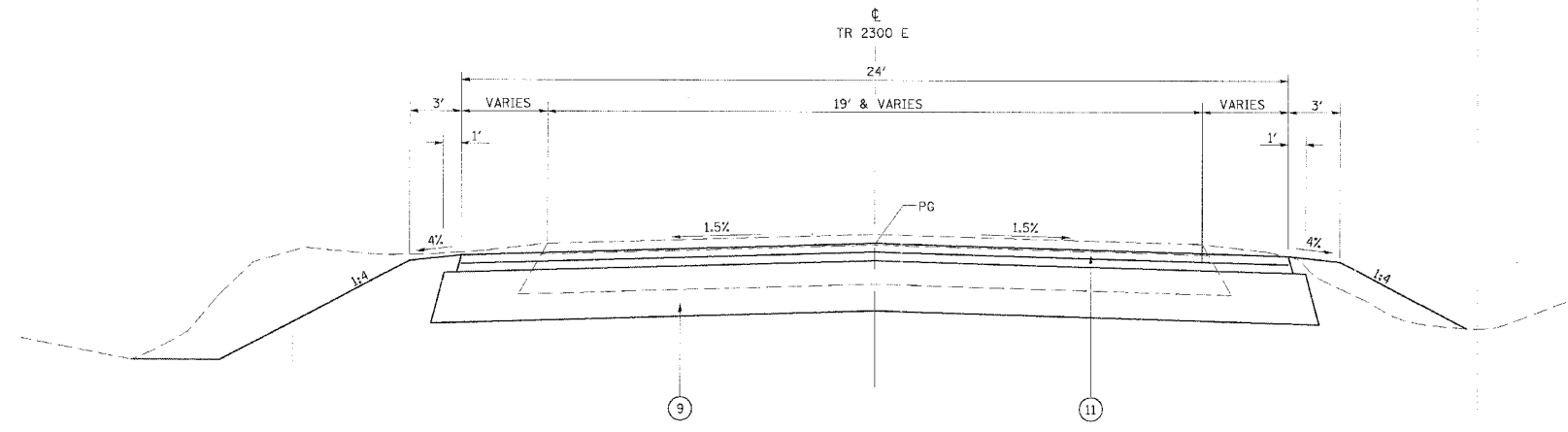


F.A.P. RTE.	SECTION	COUNTY	TOTAL SHEETS	SHEET NO.
317		LIVINGSTON	205	18
STA.		TO STA.		
CONTRACT NO. 66261				
• 25 RS-2 & 26 RS-4				



PROPOSED TYPICAL SECTION (TR 2275 E)
STA 10+00.00 TO STA 11+04.99



PROPOSED TYPICAL SECTION (TR 2300 E)
STA 10+12.00 TO STA 11+12.03

LEGEND

- ① EXISTING PCC PAVEMENT 10"
- ② EXISTING BITUMINOUS SURFACE, VARIABLE DEPTH
- ③ EXISTING BITUMINOUS SHOULDER
- ④ EXISTING AGGREGATE SHOULDER
- ⑤ EXISTING BITUMINOUS WIDENING
- ⑥ EXISTING CONCRETE CURB AND GUTTER, TYPE B-6.24
- ⑦ EXISTING CONCRETE SIDEWALK
- ⑧ EXISTING BINDER COURSE VARIABLE DEPTH
- ⑨ PROPOSED AGGREGATE BASE COURSE, TYPE A, 8"
- ⑩ PROPOSED BITUMINOUS SHOULDERS SUPERPAVE 8"
- ⑪ PROPOSED INCIDENTAL BITUMINOUS SURFACING 3"
- ⑫ PROPOSED BITUMINOUS SURFACE REMOVAL 1/2"
- ⑬ PROPOSED LEVELING BINDER (MACHINE METHOD), SUPERPAVE N70 (3/4")
- ⑭ PROPOSED LEVELING BINDER (MACHINE METHOD), SUPERPAVE N70 (1/2" TO 1/2")
- ⑮ PROPOSED BITUMINOUS CONCRETE SURFACE COURSE, SUPERPAVE, MIX "D", N70 (1 1/2")
- ⑯ PROPOSED AGGREGATE SHOULDERS, TYPE B (VARIES 0 - 2 1/4")
- ⑰ PROPOSED BITUMINOUS BASE COURSE SUPERPAVE 9"
- ⑱ PROPOSED SUB-BASE GRANULAR MATERIAL, TYPE A 4"
- ⑲ PROPOSED BITUMINOUS REMOVAL - VARIABLE THICKNESS (0" TO 1 1/2")
- ⑳ PROPOSED THERMOPLASTIC PAVEMENT MARKING (C AND EDGE LINE)

NOTE: INCIDENTAL BITUMINOUS SURFACING TO BE CONSTRUCTED IN TWO LIFTS

EXISTING PAVEMENTS ON TR 2275E AND TR 2300E TO BE REMOVED UNDER BITUMINOUS REMOVAL (MISCELLANEOUS)

REVISIONS	
NAME	DATE

ILLINOIS DEPARTMENT OF TRANSPORTATION

PROPOSED TYPICAL SECTIONS

FOR TR 2275 E & TR 2300 E

FAP 317 (US ROUTE 24)
SECTION 25 RS-2 & 26 RS-4
LIVINGSTON COUNTY

SCALE: _____ DRAWN BY BANDY
DATE _____ CHECKED BY STEUART