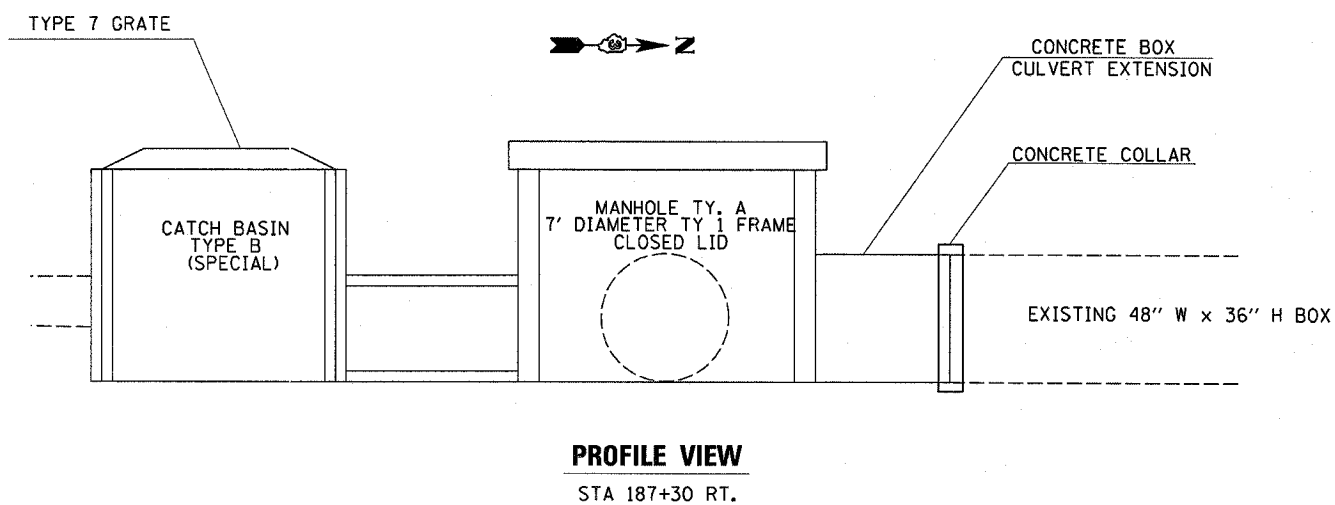
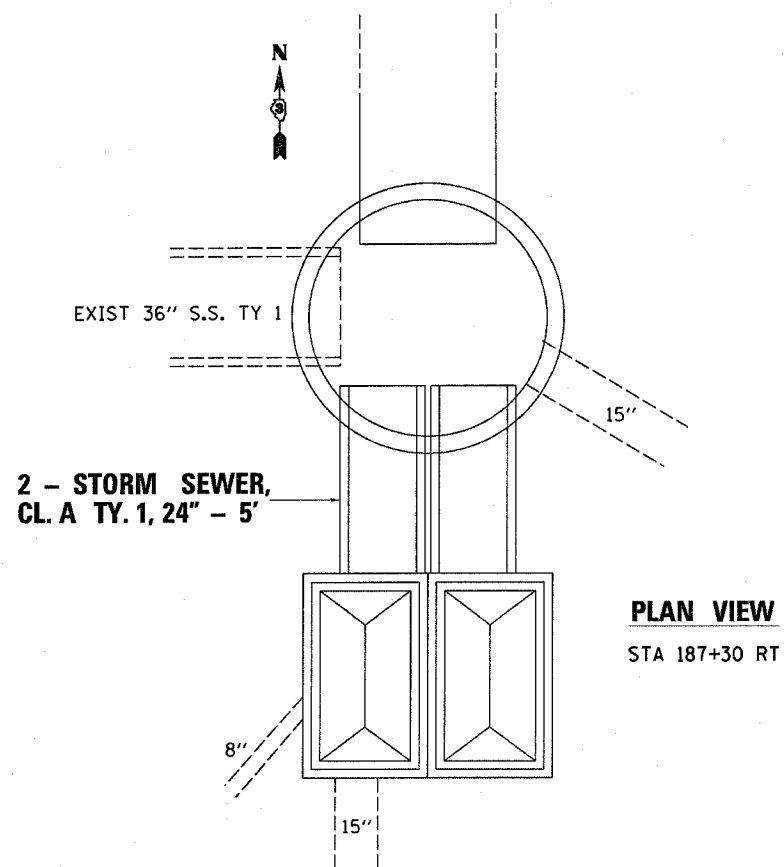
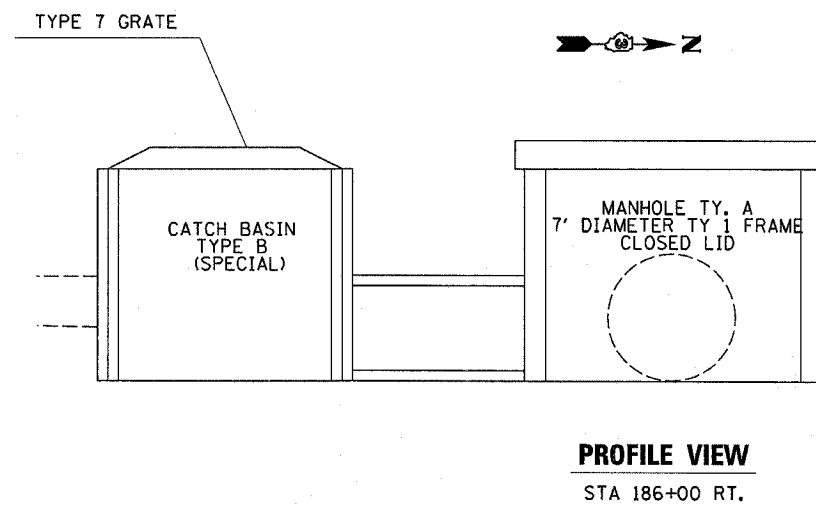
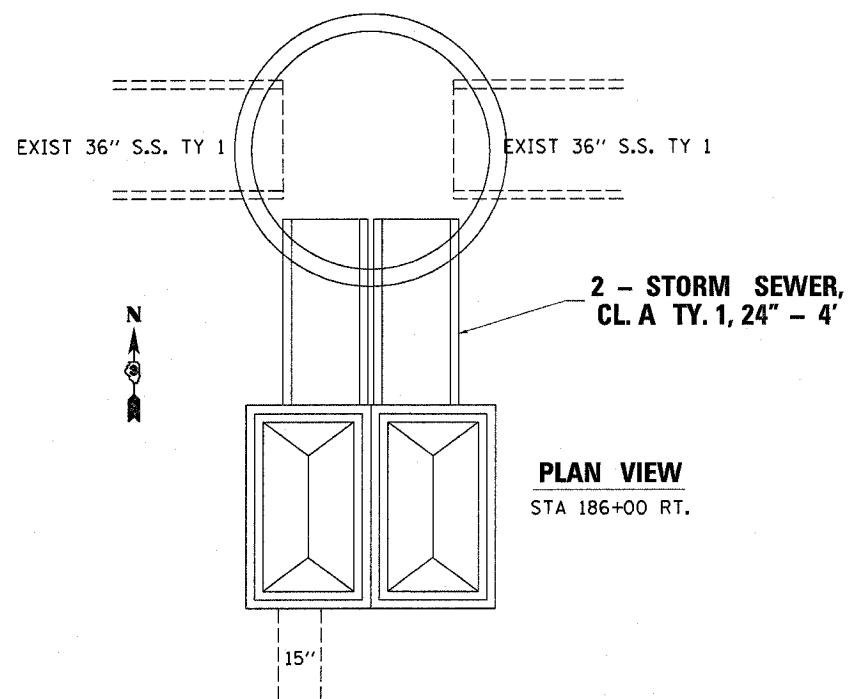


F.A.B. NO.	SECTION	COUNTY	TOTAL SHEETS	SHEET NO.
326	109 1-1	KENDALL	7	4
STA.		TO STA.		
FED. ROAD DIST. NO.	ILLINOIS	FED. AID PROJECT		



ILLINOIS DEPARTMENT OF TRANSPORTATION

**SEWER PROFILE DETAILS**

REVISIONS	
NAME	DATE

SCALE: VERT.  
HORIZ.  
DATE

DRAWN BY  
CHECKED BY