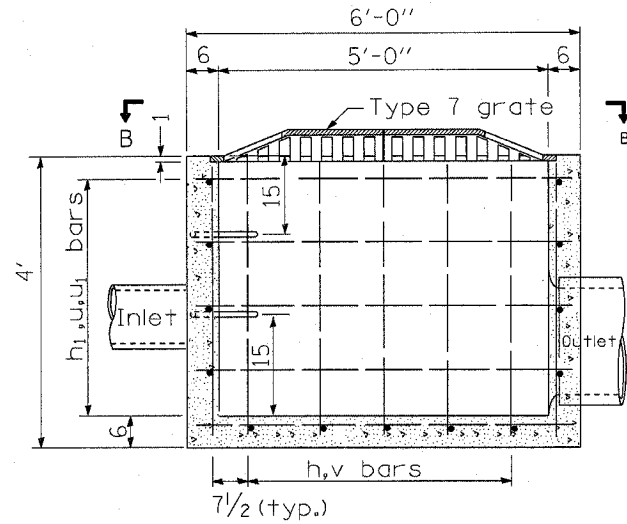
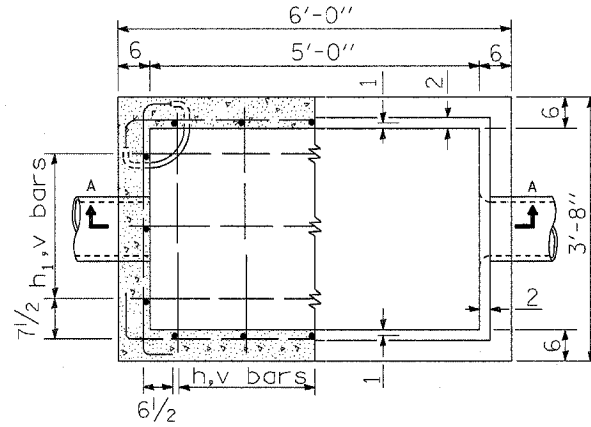


F.A.P. RTE.	SECTION	COUNTY	TOTAL SHEETS	SHEET NO.
326	109 T-1	KENDALL	7	5
STA.		TO STA.		
FED. ROAD DIST. NO.	ILLINOIS	FED. AID PROJECT		



**SECTION A-A**



**SECTION B-B**

**CATCH BASIN  
TYPE B (SPECIAL)**

STATION 187+30 RT

MATERIALS REQUIRED FOR ONE (1)  
TYPE B CATCH BASIN (SPECIAL)

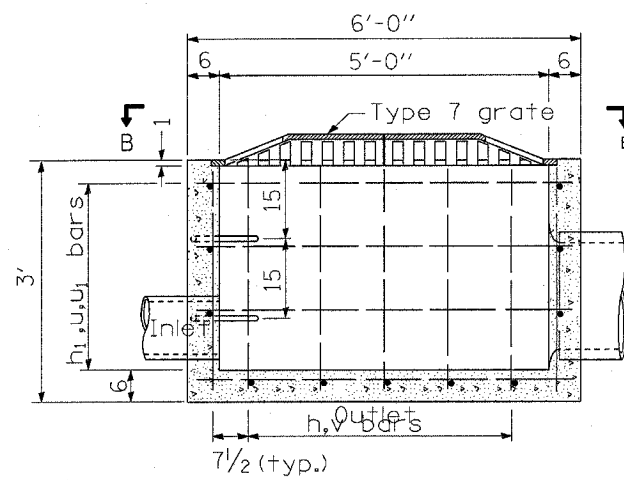
Bar	Qty.	Size	Shape	Length
h	5	(No. 4)	—	(3'-5")
h <sub>1</sub>	3	(No. 4)	—	(5'-9")
u	10	(No. 4)	⌊	(7'-0")
u <sub>1</sub>	10	(No. 4)	⌊	(4'-6")
v	16	(No. 4)	—	(3'-9")
Concrete			(cu. yd.)	(1.9)
Reinforcement bars			(lbs.)	(140)

All bars shall be at (12) centers unless otherwise shown. Reinforcement bar clearance shall be (1/2).

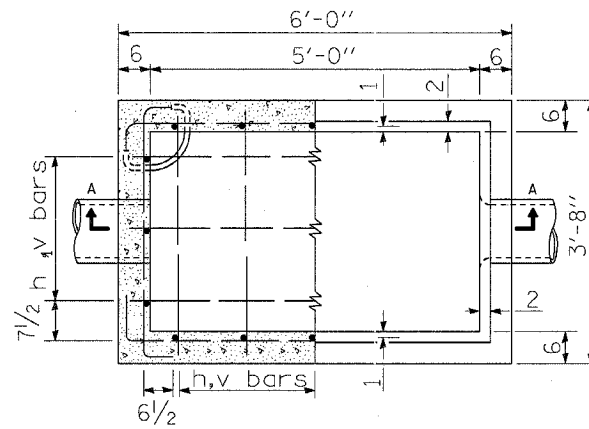
**GENERAL NOTES**

See Standard 602701 for details of steps.

All dimensions are in (inches) unless otherwise shown.



**SECTION A-A**



**SECTION B-B**

**CATCH BASIN  
TYPE B (SPECIAL)**

STATION 186+00 RT

MATERIALS REQUIRED FOR ONE (1)  
TYPE B CATCH BASIN (SPECIAL)

Bar	Qty.	Size	Shape	Length
h	5	(No. 4)	—	(3'-5")
h <sub>1</sub>	3	(No. 4)	—	(5'-9")
u	8	(No. 4)	⌊	(7'-0")
u <sub>1</sub>	8	(No. 4)	⌊	(4'-6")
v	16	(No. 4)	—	(2'-9")
Concrete			(cu. yd.)	(1.4)
Reinforcement bars			(lbs.)	(114)

All bars shall be at (12) centers unless otherwise shown. Reinforcement bar clearance shall be (1/2).

**GENERAL NOTES**

See Standard 602701 for details of steps.

All dimensions are in (inches) unless otherwise shown.

ILLINOIS DEPARTMENT OF TRANSPORTATION

**CATCH BASIN DETAILS**

SCALE: VERT.  
HORIZ.  
DATE

DRAWN BY  
CHECKED BY