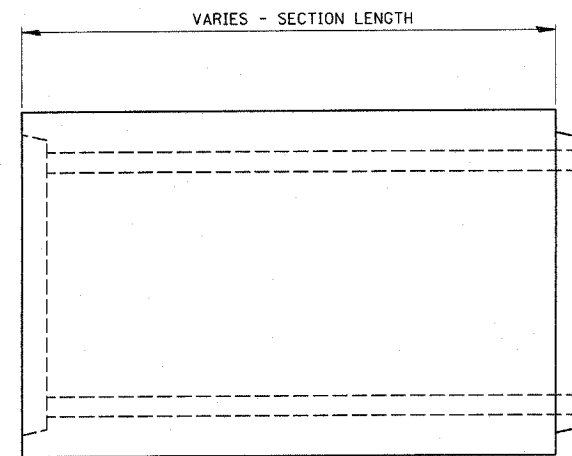
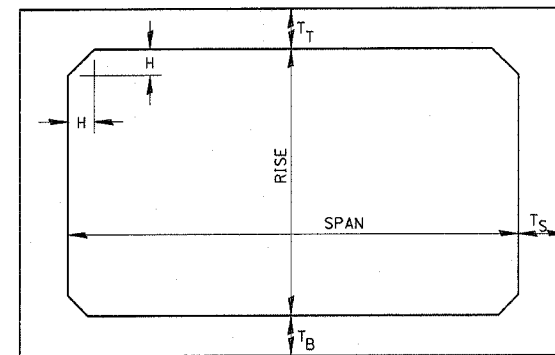


F.A.P. RTE.	SECTION	COUNTY	TOTAL SHEETS	SHEET NO.
326	109 T-1	KENDALL	7	6
STA.	TO STA.			
FED. ROAD DIST. NO.	ILLINOIS	FED. AID PROJECT		



ELEVATION



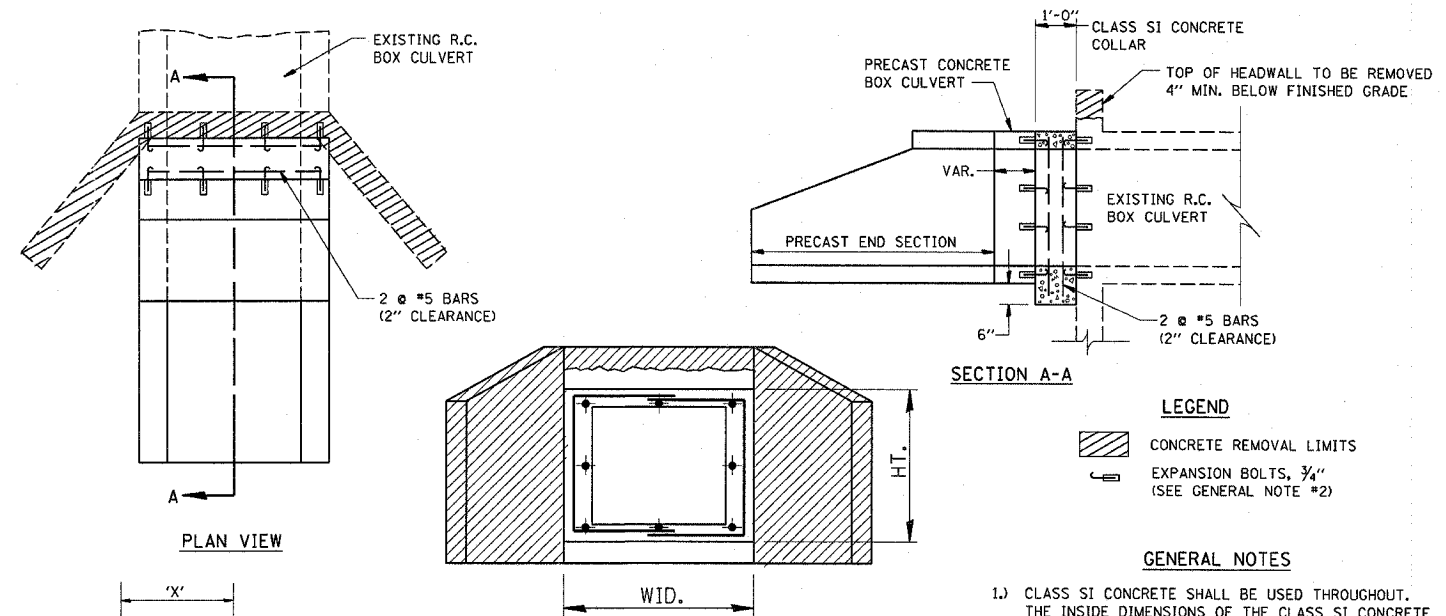
NOTE: THE HAUNCH DIMENSION H, IS EQUAL TO THE WALL THICKNESS T_S.

TYPICAL BOX SECTION

SPAN, FEET	T _T , INCHES		T _B , INCHES		T _S , INCHES	
	M 259	M 273	M 259	M 273	M 259	M 273
3	4	7	4	6	4	4
4	5	7 1/2	5	6	5	5
5	6	8	6	7	6	6
6	7	8	7	7	7	7
7	8	8	8	8	8	8
8	8	8	8	8	8	8
9	9	9	9	9	9	9
10	10	10	10	10	10	10
11	11	11	11	11	11	11
12	12	12	12	12	12	12

TYPICAL THICKNESSES

GENERAL NOTES:
MINIMUM COVER FOR BOX
CULVERTS SHALL BE 6".



- LEGEND**
- CONCRETE REMOVAL LIMITS
 - EXPANSION BOLTS, 3/4" (SEE GENERAL NOTE #2)

GENERAL NOTES

- CLASS SI CONCRETE SHALL BE USED THROUGHOUT. THE INSIDE DIMENSIONS OF THE CLASS SI CONCRETE COLLAR SHALL BE THE SAME AS THE NEW PRECAST CONCRETE BOX CULVERT.
- EXPANSION BOLTS SHALL CONSIST OF SELF DRILLING EXPANSION SHIELDS AND 3/4" HOOKED BOLTS. HOOKED BOLTS SHALL EXTEND A MINIMUM OF 9" INTO NEW CONCRETE. BOLTS SHALL BE PLACED IN EACH CORNER AND AT 18" MAXIMUM CENTERS. MINIMUM CERTIFIED PROOF LOADING = 4,080 LBS.

LOCATION	EXISTING CULVERT SIZE	PRECAST CULV. EXTENSION	U-BAR		CONC. COLLAR	REINFORCEMENT BARS	3/4" DIA. EXPANSION BOLTS
			'X'	'Y'			
STATION	FT. x FT.	FT. x FT.	IN.	IN.	CU. YD.	POUND	EACH
187+30	4' x 3'	4' x 3'	31	43	.4	40	28

COLLAR DETAIL (PRECAST BOX CULVERT EXTENSION OF BOX CULVERT)

REVISIONS	
NAME	DATE

ILLINOIS DEPARTMENT OF TRANSPORTATION
**PRECAST CONCRETE BOX SECTION
AND COLLAR DETAIL**

SCALE: VERT.
DATE: HORIZ.

DRAWN BY
CHECKED BY