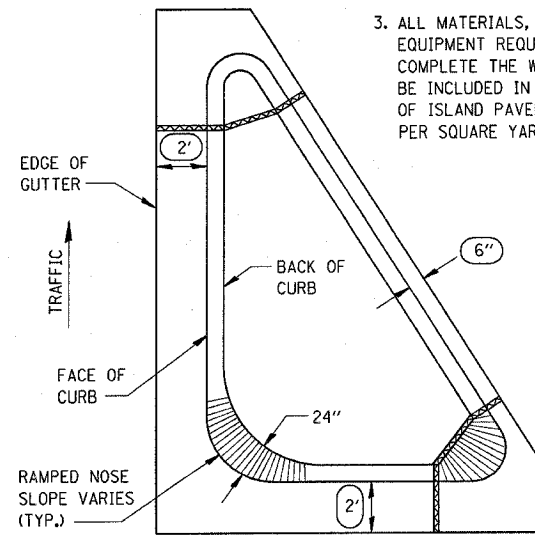


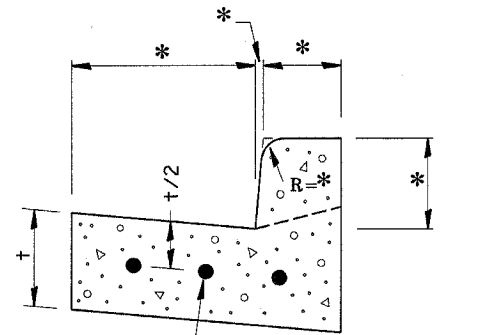
F.A.P. RTE.	SECTION	COUNTY	TOTAL SHEETS	SHEET NO.
681	118 N	ILLINOIS	30	17
STA.	TO STA.			
FED. ROAD DIST. NO.	ILLINOIS	FED. AID PROJECT		

**GENERAL NOTES:**

1. THE CURB AND GUTTER CONFIGURATION SHALL BE M-4.
2. SEE STD. 606001 & AND 606301 FOR ADDITIONAL DETAILS.
3. ALL MATERIALS, LABOR, AND EQUIPMENT REQUIRED TO COMPLETE THE WORK SHALL BE INCLUDED IN THE COST OF ISLAND PAVEMENT (SPECIAL) PER SQUARE YARD.



\* VARIES - SEE STANDARD 606001

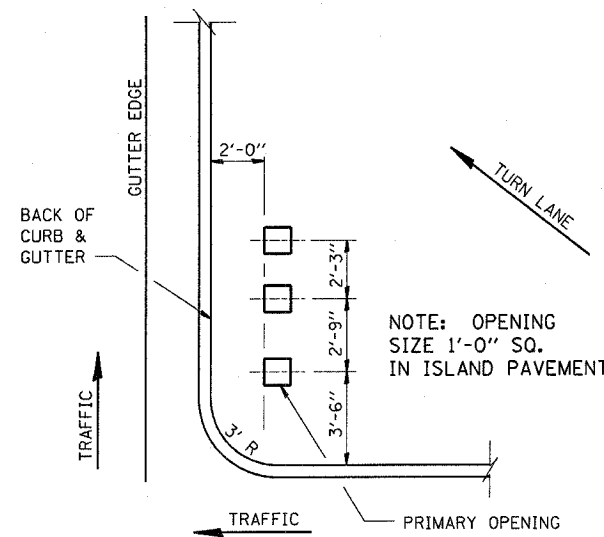
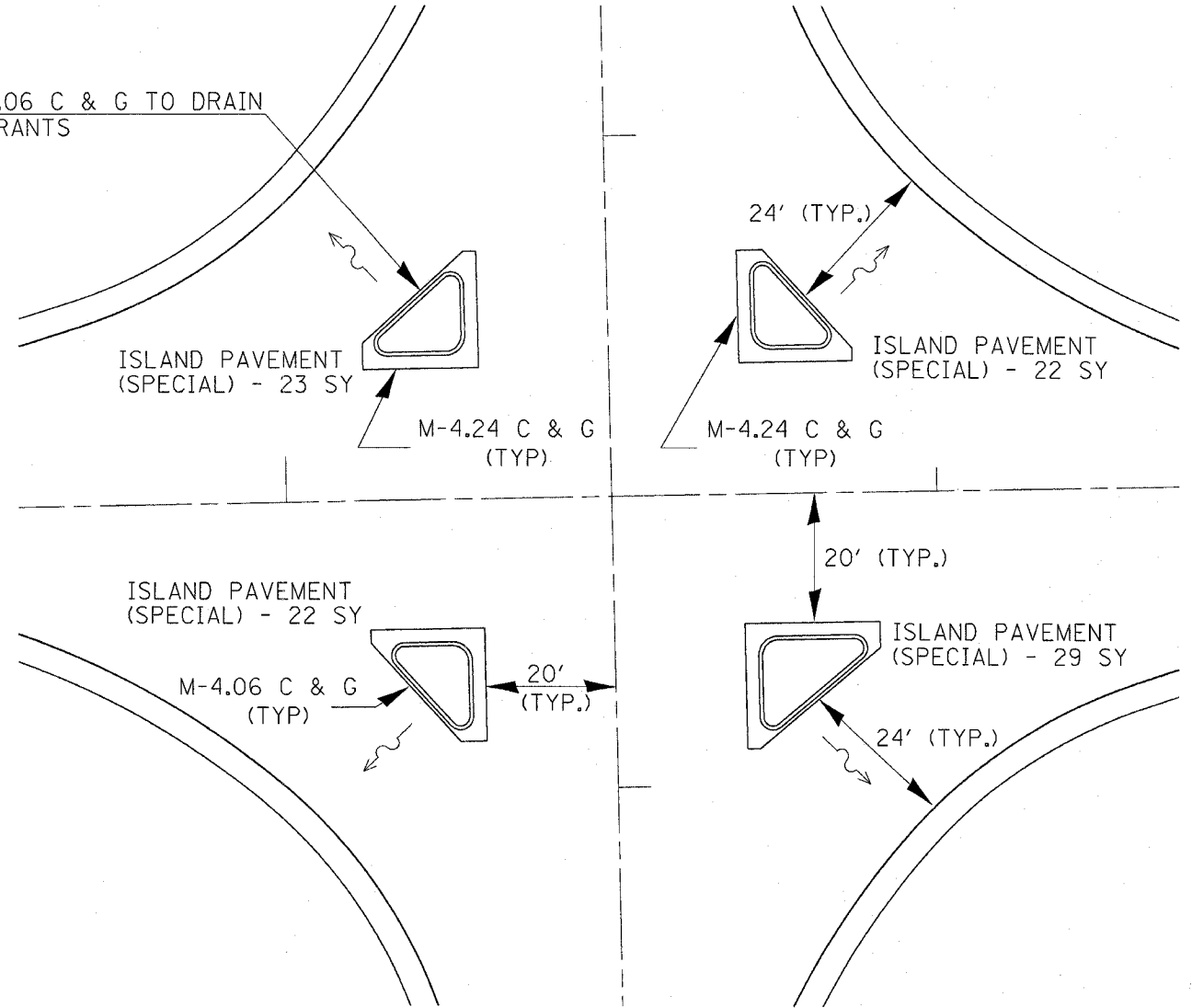


CONTINUOUSLY REINFORCED WITH 3 - #4 BARS EVENLY SPACED

REINFORCEMENT SHALL NOT BE PAID FOR SEPARATELY BUT WILL BE INCLUDED IN THE CONTRACT UNIT PRICE FOR CC&G.

**REINFORCEMENT DETAIL FOR COMBINATION CONCRETE CURB AND GUTTER**

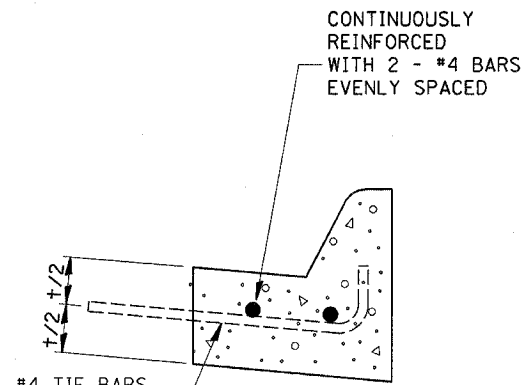
SLOPE M4.06 C & G TO DRAIN ALL QUADRANTS



NOTE: OPENING SIZE 1'-0" SQ. IN ISLAND PAVEMENT

**ISLAND SIGN POST SPACING DETAIL**

NOTE: THE ENGINEER SHALL DETERMINE THE NUMBER OF OPENINGS REQUIRED.



#4 TIE BARS @ 2'-6" CTRS.

REINFORCEMENT SHALL NOT BE PAID FOR SEPARATELY BUT WILL BE INCLUDED IN THE CONTRACT UNIT PRICE FOR CC&G.

**COMBINATION CONCRETE CURB AND GUTTER TYPE M-4.06**

**SEE SPECIAL PROVISIONS FOR ISLAND PAVEMENT (SPECIAL) FOR METHOD OF PAYMENT**

REVISIONS	
NAME	DATE

ILLINOIS DEPARTMENT OF TRANSPORTATION

**ISLAND PAVEMENT DETAILS**

SCALE: VERT. HORIZ. DATE

DRAWN BY CHECKED BY