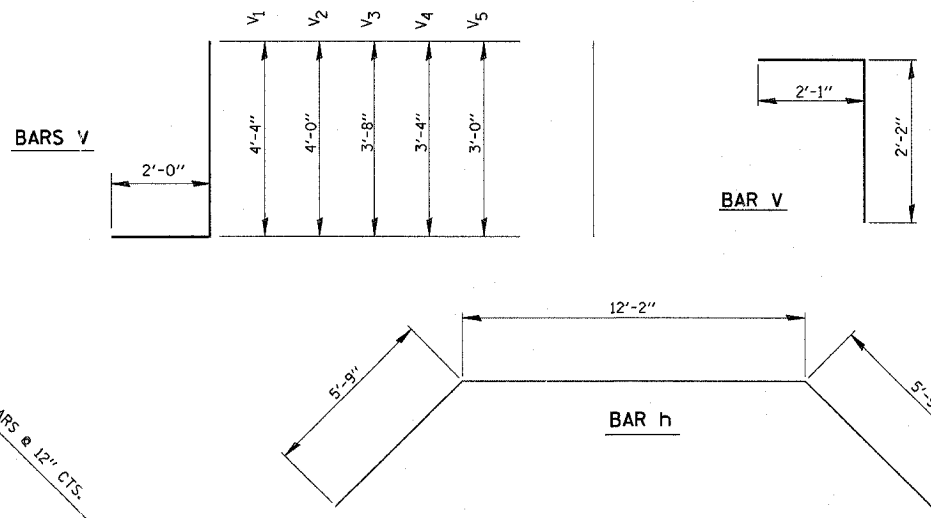
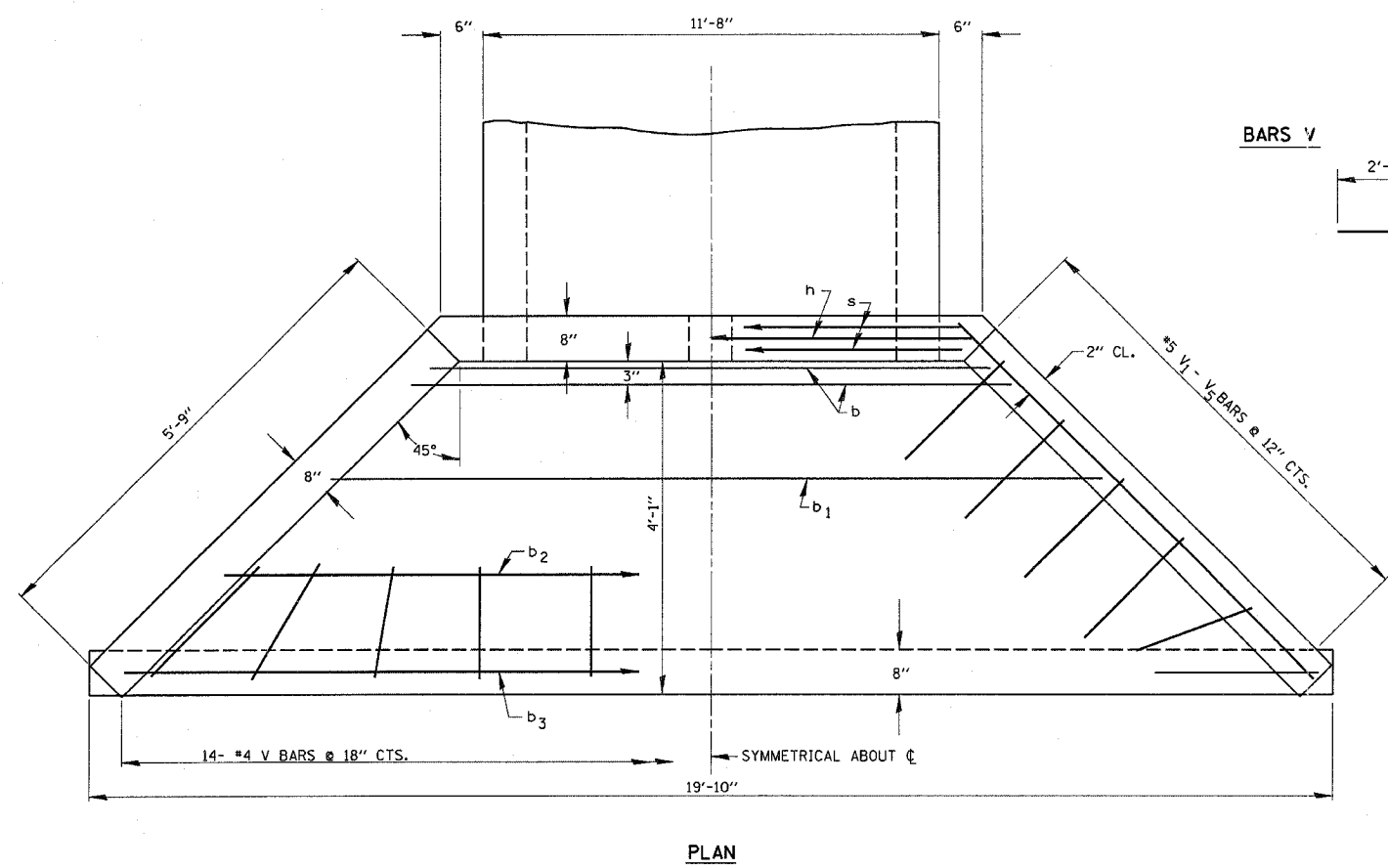
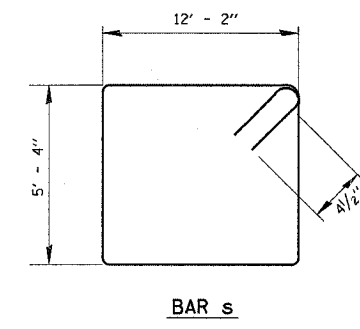
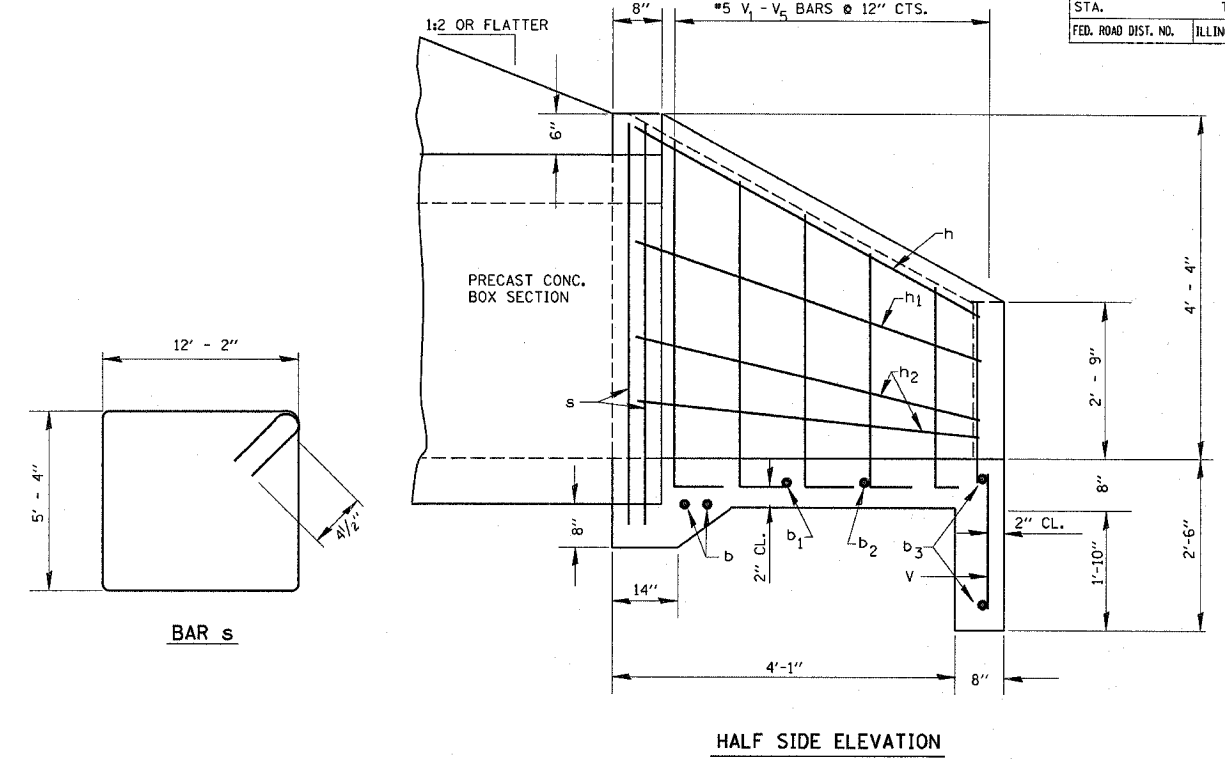
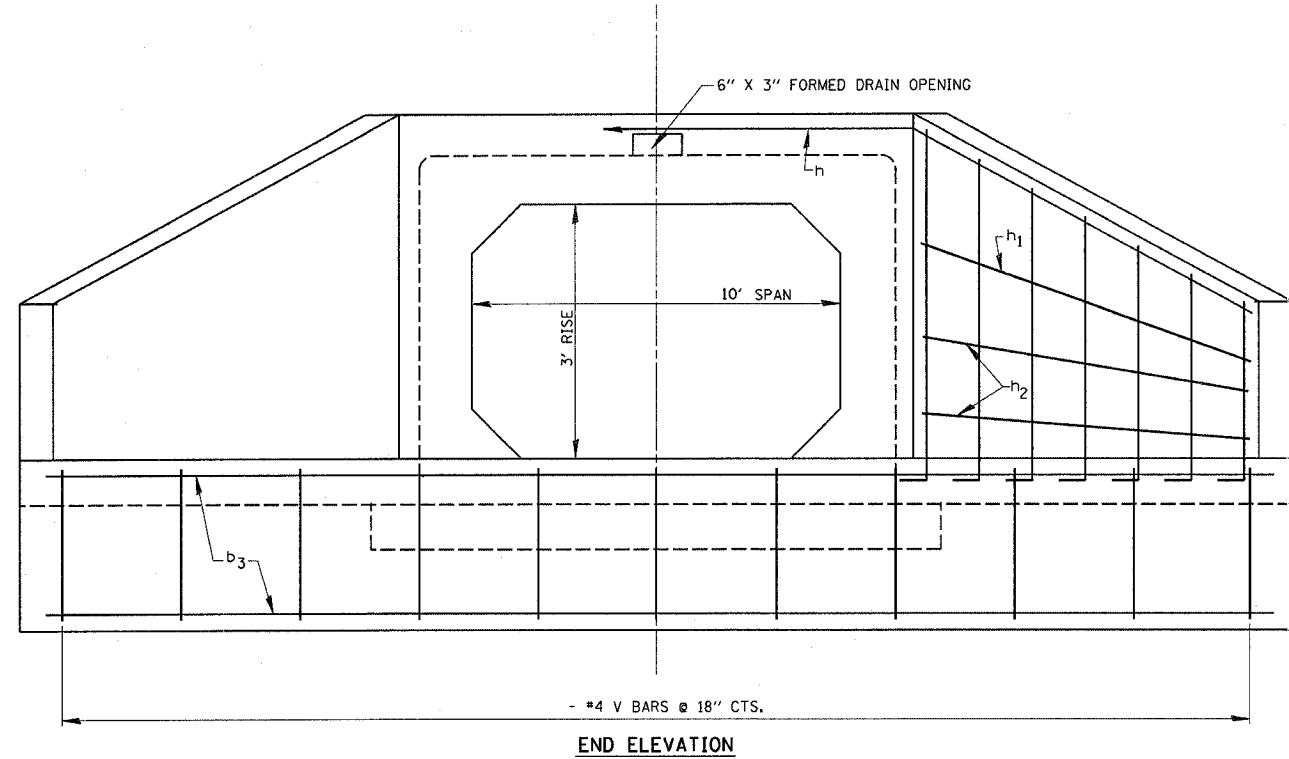


F.A.P. RTE.	SECTION	COUNTY	TOTAL SHEETS	SHEET NO.
681	118 N	IRROQUOIS	30	18
STA.	TO STA.			
FED. ROAD DIST. NO.	ILLINOIS FED. AID PROJECT			



BILL OF MATERIAL				
BAR	SIZE	NO.	LENGTH	SHAPE
b	5	2	11'-8"	—
b ₁	4	1	14'-3"	—
b ₂	4	1	16'-9"	—
b ₃	4	2	19'-4"	—
h	5	1	23'-8"	—
h ₁	4	2	5'-8"	—
h ₂	4	4	5'-7"	—
s	4	2	44'-0"	—
V	4	14	4'-3"	—
V ₁	5	2	6'-4"	—
V ₂	5	2	6'-0"	—
V ₃	5	2	5'-8"	—
V ₄	5	2	5'-4"	—
V ₅	5	2	5'-0"	—
CONCRETE HEADWALLS			C.Y.	4.6
REINFORCEMENT BARS			LBS.	276

TABLE FOR ONE (1) HEADWALL

GENERAL NOTES

CLASS SI CONCRETE SHALL BE USED THROUGHOUT.
 EXPOSED EDGES SHALL BE BEVELED 3/4".
 REINFORCEMENT BARS SHALL CONFORM TO THE
 REQUIREMENTS OF AASHTO M-31, M-42, OR M-53, GRADE 60.

DESIGNER NOTE:
 WHEN RISE 5', V₁ TO V₇
 SHALL BE EPOXY COATED

REVISIONS	
NAME	DATE

ILLINOIS DEPARTMENT OF TRANSPORTATION

CAST IN PLACE WINGWALL DETAIL

SCALE: VERT. _____
 HORIZ. _____

DRAWN BY _____
 CHECKED BY _____