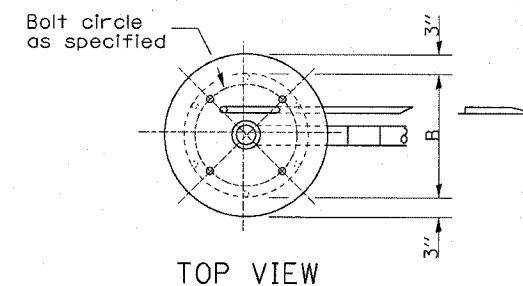
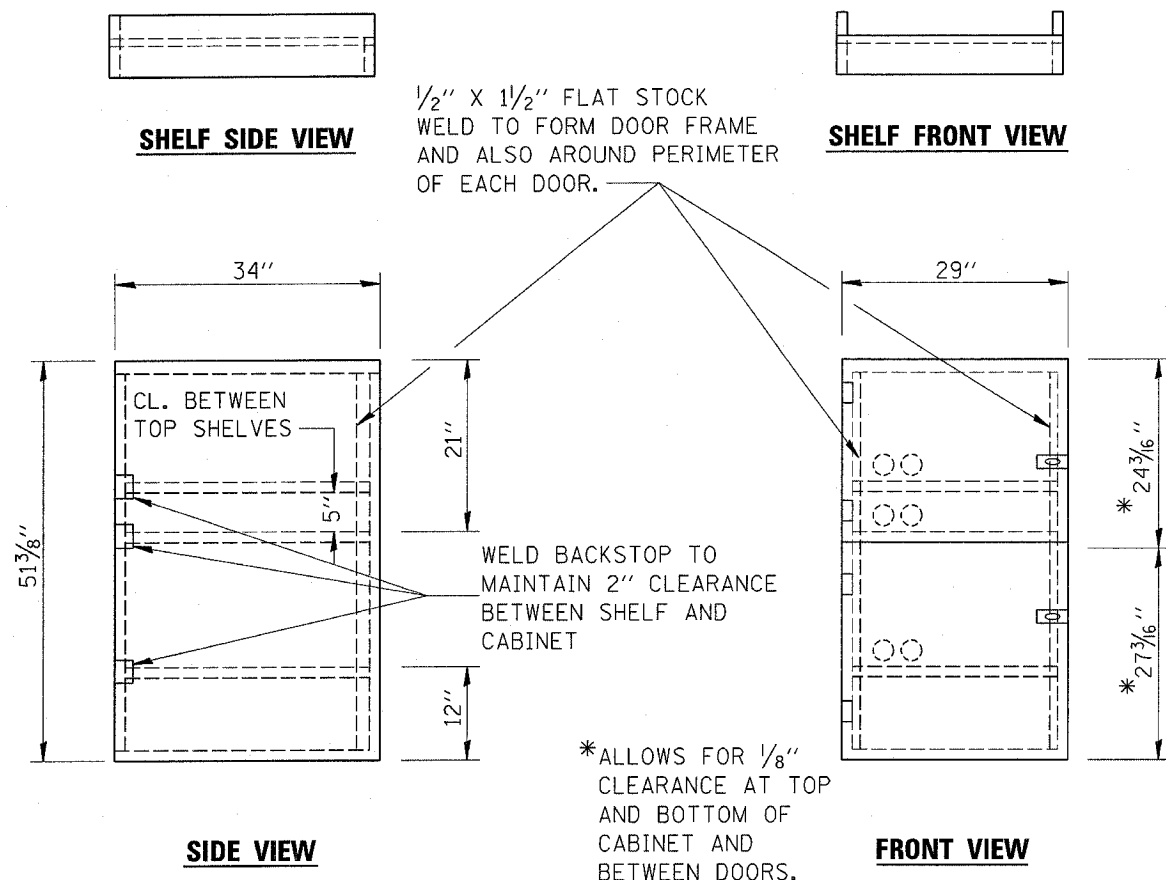


F.A.P. RTE.	SECTION	COUNTY	TOTAL SHEETS	SHEET NO.
681	118 N	IROQUOIS	30	22
STA.		TO STA.		
FED. ROAD DIST. NO.		ILLINOIS FED. AID PROJECT		



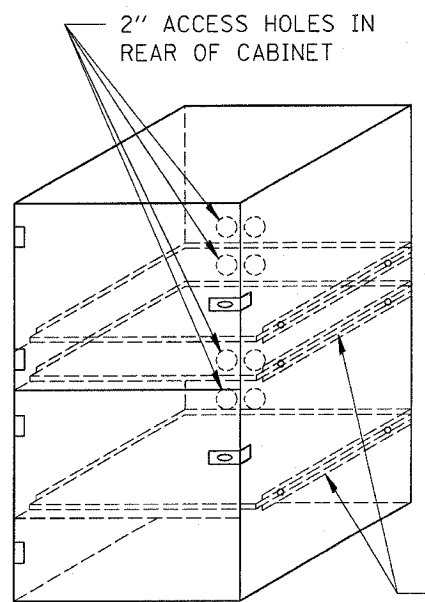
- NOTES:
1. USE 16 GAUGE STEEL FOR CABINET.
  2. THE TOP SHELF SHALL SLIDE IN OR OUT WITH THE TOP DOOR OPEN.
  3. ALL HINGES AND HASPS WILL BE WELDED TO THE CABINET.
  4. ALL EDGES SHALL BE GROUND SMOOTH.
  5. TWO (2" DIA.) ACCESS HOLES WILL BE REQUIRED FOR EACH SHELF.
  6. CABINET SHALL BE PAINTED WITH TWO COATS OF FLAT PAINT.
  7. 2 EACH MATCHING KEY PADLOCKS, WITH 3 KEYS PROVIDED, MASTER MODEL 3 T OR EQUIVALENT.
  8. 4 EACH PLAIN STEEL, NON-REMOVABLE PIN, NO HOLE 4"X4" SQUARE CORNER HINGES TO BE WELDED ON.
  9. 2 EACH EXTRA HEAVY, PLAIN STEEL, FIXED STAPLE, NO HOLE, 7 1/4 " HASPS TO BE WELDED ON.

Mast arm length	A	B	Number of (No. 5) rebars	Foundation depth
Less than 30'	30"	24"	8	(9'-0")*
Greater than or equal to 30' and less than 40'	30"	24"	8	(12'-0")*
Greater than or equal to 40' and less than 50'	30"	24"	8	(15'-0")*
Greater than or equal to 50' and less than 55'	30"	24"	8	(17'-0")*

**DESIGNER NOTE: TO BE USED ON ALL PROJECTS WITH A PROPOSED MAST ARM FOUNDATION**

**TYPE E 838-1**

**CONCRETE FOUNDATION FOR MAST ARM**



FLAT STOCK DIMENSIONS VARY DEPENDING ON TYPE OF ROLLER ASSEMBLY.

**LOCKABLE COMPUTER CABINET**

REVISIONS		ILLINOIS DEPARTMENT OF TRANSPORTATION
NAME	DATE	
		<p style="text-align: center;"><b>DETAILS</b></p> <p>SCALE: VERT.      DRAWN BY                  HORIZ.              CHECKED BY                  DATE</p>

2/14/2005 cr\_lavo/jezra/ep02704/depot/18.dgn