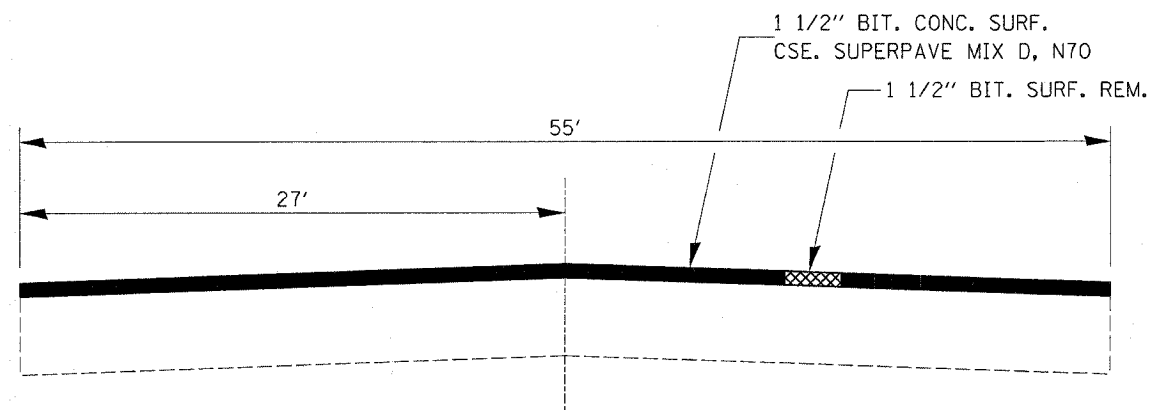
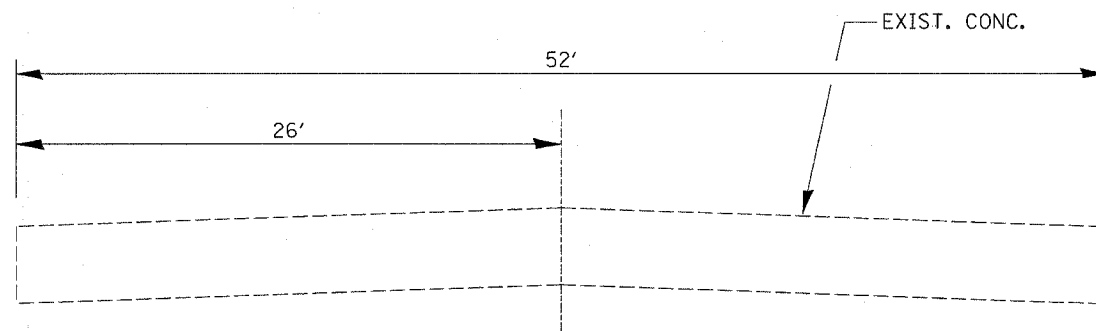


F.A.P. RTE.	SECTION	COUNTY	TOTAL SHEETS	SHEET NO.
332	(62)RS-2	KANKAKEE	12	4
STA.		TO STA.		
FED. ROAD DIST. NO.		ILLINOIS FED. AID PROJECT		



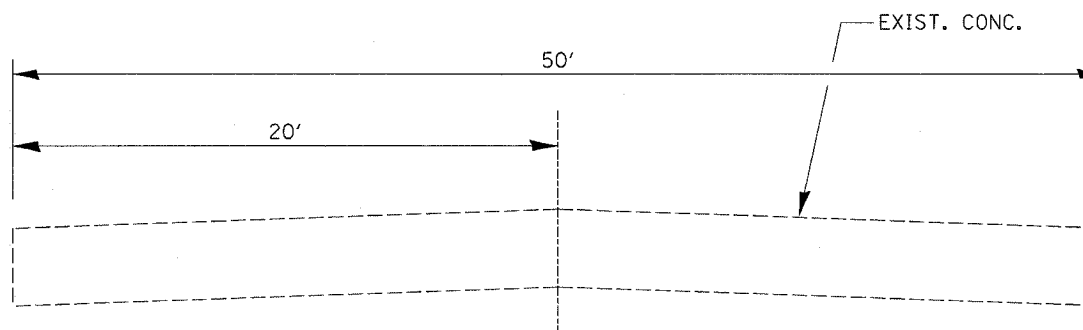
TYPICAL SECTION

STA. 733+46 TO STA. 739+23



TYPICAL SECTION

STA. 741+28 TO STA. 746+21



TYPICAL SECTION

STA. 746+42.90 TO STA. 749+60

REVISIONS	
NAME	DATE

ILLINOIS DEPARTMENT OF TRANSPORTATION

TYPICAL SECTION

SCALE: VERT. _____
HORIZ. _____

DRAWN BY _____
CHECKED BY _____