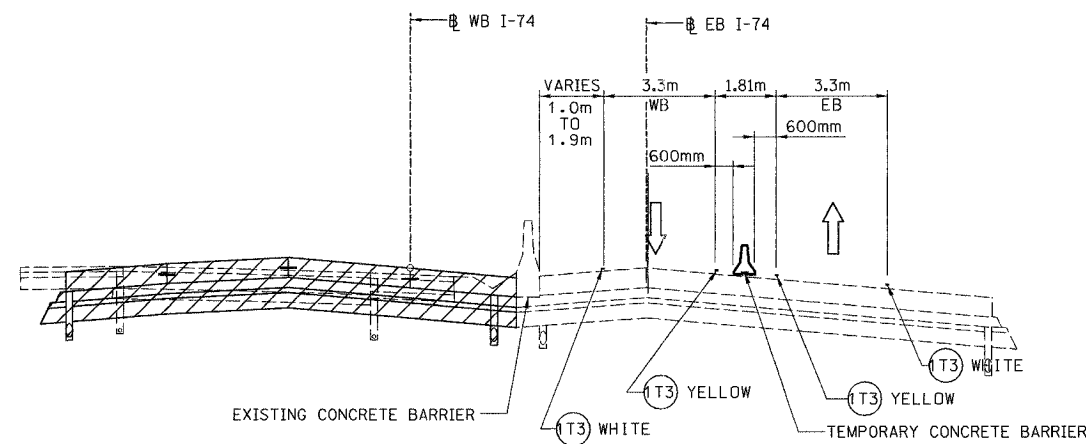


F.A. RTE.	SECTION	COUNTY	TOTAL SHEETS	SHEET NO.
74	(72-7)R-3	PEORIA	1360	122
STA.		TO STA.		
FED. ROAD DIST. NO.	ILLINOIS	FED. AID PROJECT		



TYPICAL SECTION-03
FAI ROUTE 74
STA. 142+326 WB TO 142+668.5 WB

Note:
Entrance for Ramp A-4 is between Sta. 142+379.00 to Sta. 142+417.00 (not shown)

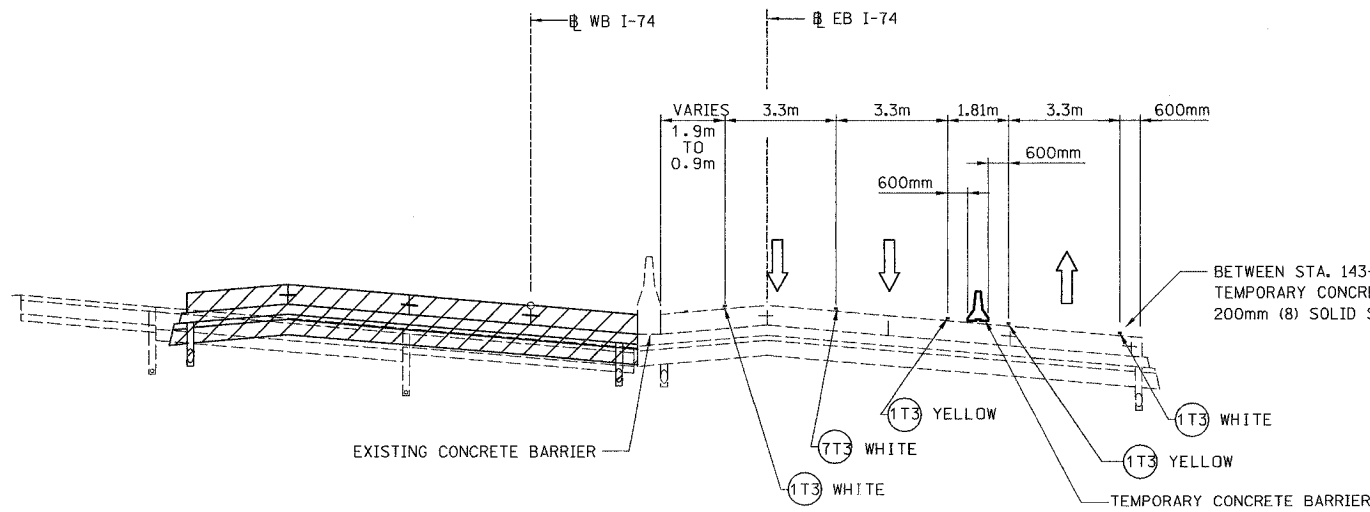
LEGEND

- TEMPORARY PAVEMENT
- CONSTRUCTION THIS STAGE
- CONSTRUCTION IN PROCEEDING STAGES
- DIRECTION OF TRAFFIC
- PLASTIC DRUM LIGHTED WITH STEADY BURNING MONODIRECTIONAL LIGHT AT 15.0m O.C. (TYP)
- TEMPORARY CONCRETE BARRIER

TEMPORARY PAVEMENT MARKING TAPE, TYPE III

- 100 mm SOLID
- 100 mm SKIP DASH

Notes:
1. Begin modular glare screen system on temporary concrete barrier separating traffic at Sta. 142+878.000.
2. EB lane from Ramp A-2 joins mainline at Sta. 143+271.000 (not shown)



TYPICAL SECTION-04
FAI ROUTE 74
STA. 142+668.5 WB TO STA. 143+271 WB

REVISIONS	
NAME	DATE

ILLINOIS DEPARTMENT OF TRANSPORTATION
MOT TYPICAL SECTIONS
FAI ROUTE 74 (I-74) (WB)
STAGE 3-1
SCALE N.T.S. DRAWN BY CADD
DATE 11/12/04 CHECKED BY KJW

