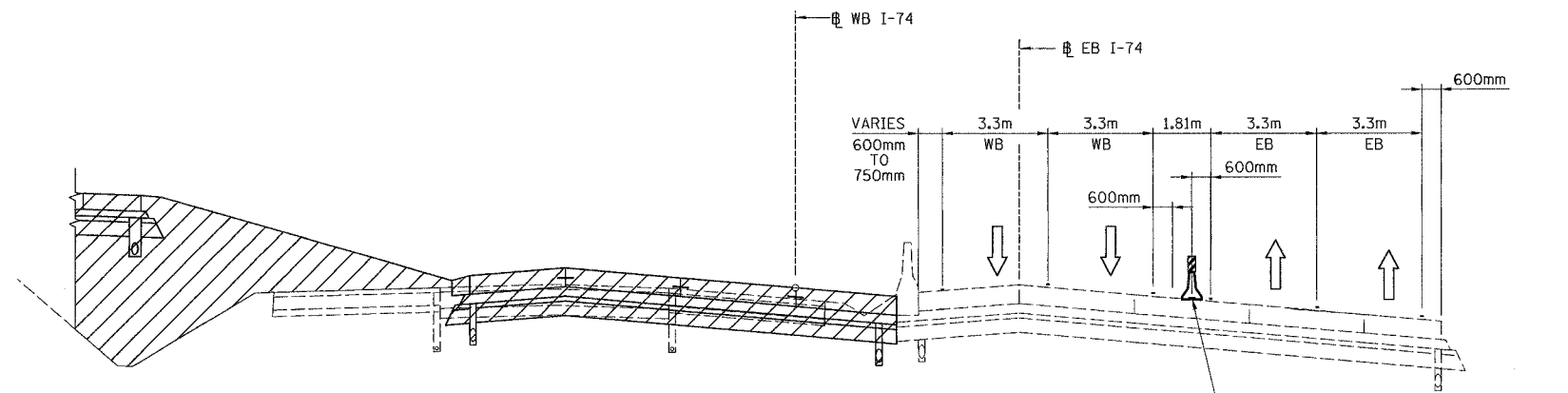


F.A. RTE.	SECTION	COUNTY	TOTAL SHEETS	SHEET NO.
74	(72-7R-3)	PEORIA	1360	149
STA.		TO STA.		
FED. ROAD DIST. NO.		ILLINOIS FED. AID PROJECT		



TYPICAL SECTION-5  
FAI ROUTE 74  
STA. 143+271 WB TO 144+191 WB

TEMPORARY CONCRETE BARRIER WITH MODULE GLARE SCREEN SYSTEM

### LEGEND

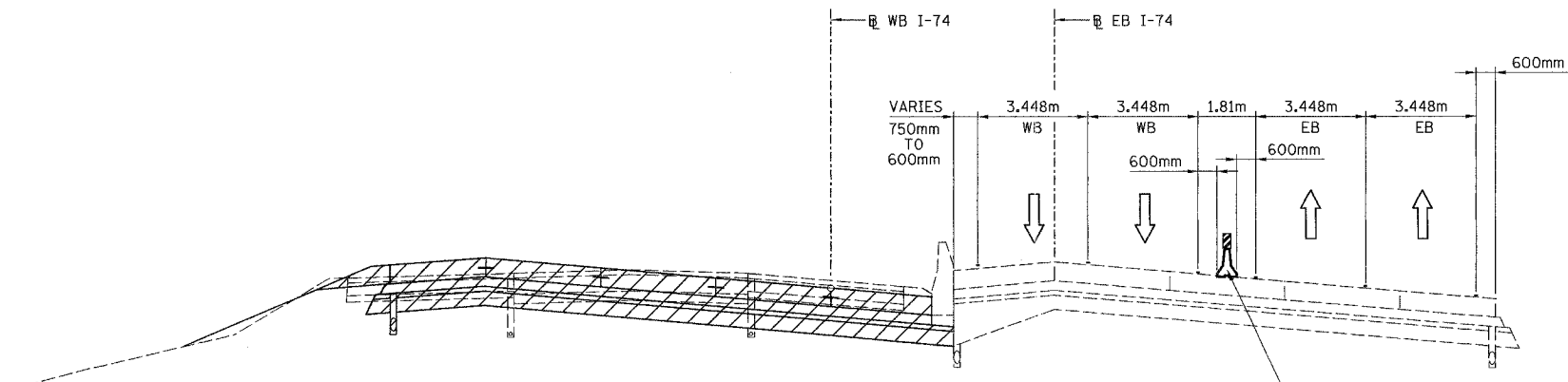
	TEMPORARY PAVEMENT
	CONSTRUCTION THIS STAGE
	CONSTRUCTION IN PRECEDING STAGES
	DIRECTION OF TRAFFIC
	PLASTIC DRUM LIGHTED WITH STEADY BURNING MONODIRECTIONAL LIGHT AT 15.0m O.C. (TYP)
	TEMPORARY CONCRETE BARRIER

TEMPORARY PAVEMENT MARKING TAPE, TYPE III

- 100 mm SOLID
- 100 mm SOLID, WET
- 100 mm SKIP DASH

NOTES:

1. TEMPORARY CONCRETE BARRIER MODULE GLARE SCREEN SYSTEM AND PAVEMENT STRIPING ON EB PAVEMENT PLACED IN PREVIOUS STAGE.
2. LANES TRANSITION FROM 3.3m TO 3.448m BETWEEN STA. 141+191 AND STA. 144+208.



TYPICAL SECTION-6  
FAI ROUTE 74  
STA. 144+191 WB TO 144+718.000 WB

TEMPORARY CONCRETE BARRIER WITH MODULE GLARE SCREEN SYSTEM

REVISIONS	
NAME	DATE

ILLINOIS DEPARTMENT OF TRANSPORTATION  
MOT TYPICAL SECTIONS  
FAI ROUTE 74 (I-74) (WB)  
STAGE 3-2  
SCALE N.T.S. DRAWN BY CADD  
DATE 11/12/04 CHECKED BY KJW

