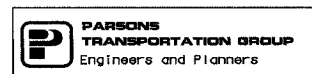
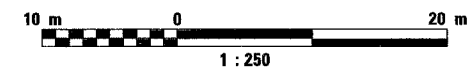
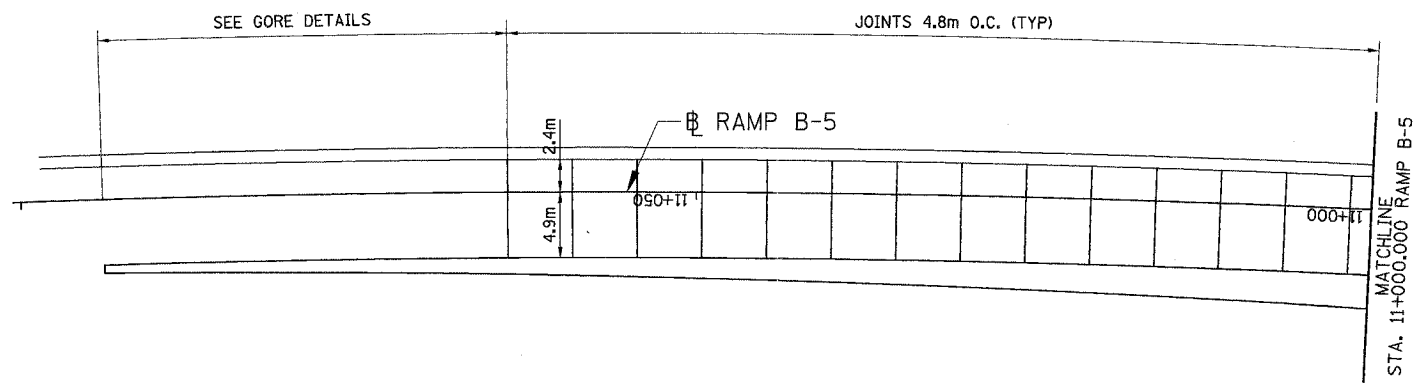
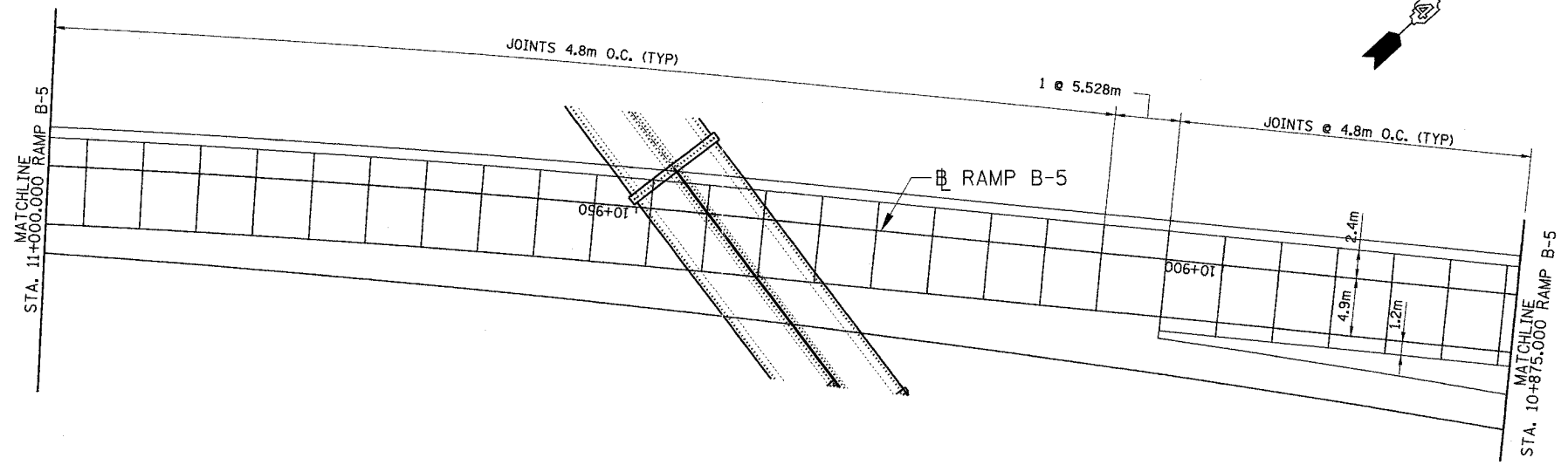


F.A. RTE.	SECTION	COUNTY	TOTAL SHEETS	SHEET NO.
74	(72-71R-3)	PEORIA	1360	398
STA.		TO STA.		
FED. ROAD DIST. NO.		ILLINOIS	FED. AID PROJECT	



REVISIONS	
NAME	DATE

ILLINOIS DEPARTMENT OF TRANSPORTATION
 PAVEMENT JOINTS
 FAI ROUTE 74 (I-74) (WB)
 RAMP B-5
 DRAWN BY CAOD
 CHECKED BY MWP
 DATE 11/12/04