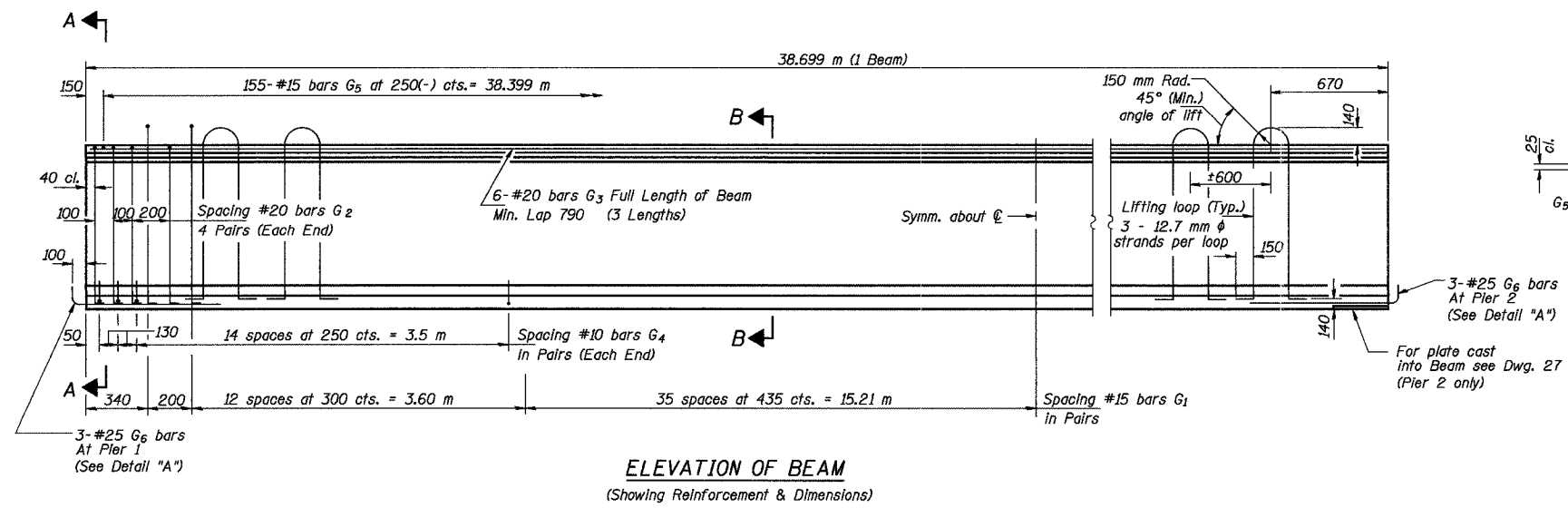
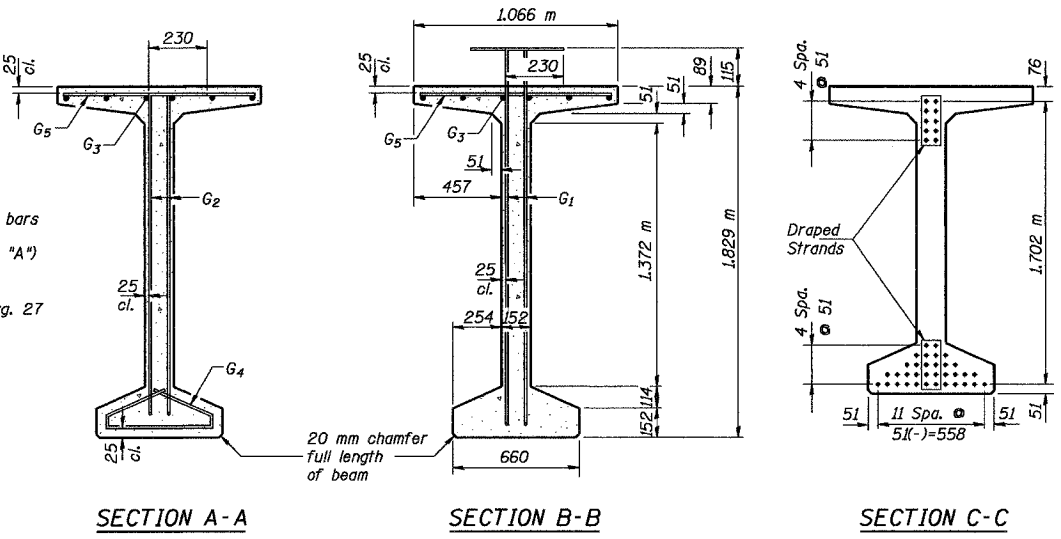


ROUTE NO.	SECT.	COUNTY	SHEET NO.	TOTAL SHEETS
F.A.I. 74	(72-7) R-3	PEORIA	464	1360
FED. ROAD DIST. NO. 7	ILLINOIS	FED. AID PROJECT		

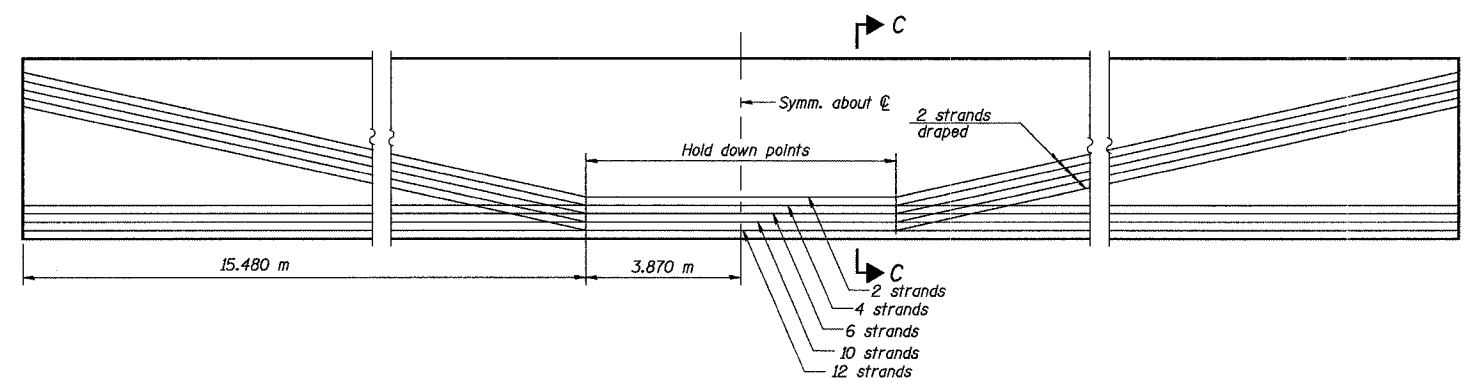
CONTRACT NO. 68200



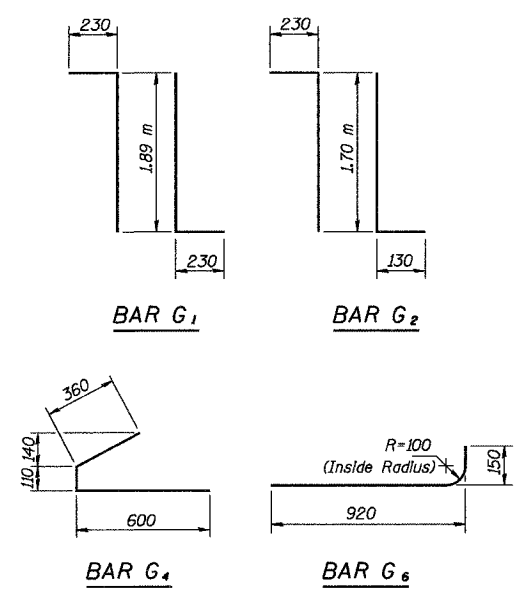
ELEVATION OF BEAM
(Showing Reinforcement & Dimensions)



SECTION A-A **SECTION B-B** **SECTION C-C**



ELEVATION OF BEAM
(Showing Prestressing Steel)



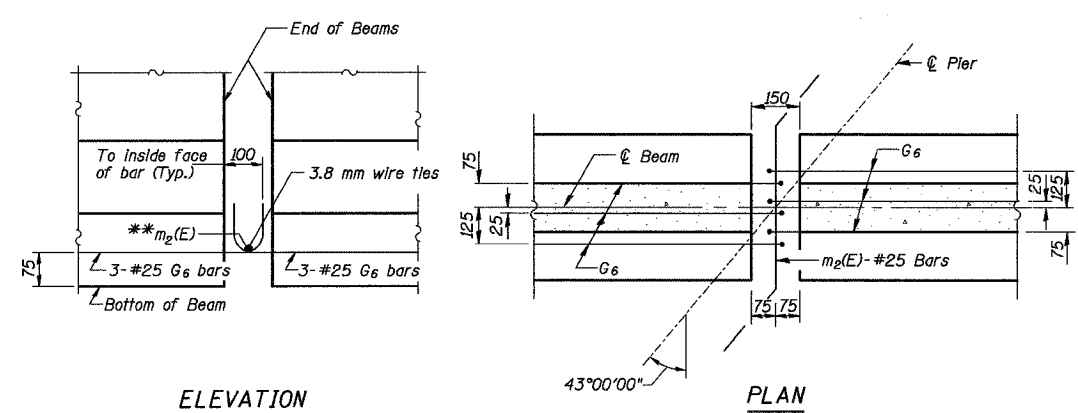
*** BAR LIST**

Bar	No.	Size	Length (m)	Shape
G1	194	#15	2.35	┘┘
G2	16	#20	2.06	┘┘
G3	18	#20	13.45	┘┘
G4	68	#10	1.07	┘┘
G5	155	#15	1.01	┘┘
G6	6	#25	1.07	┘┘

* For one beam only.

BILL OF MATERIAL

Item	Unit	Total
Furnishing and Erecting Precast Prestressed Concrete Bulb T-Beams, 1829 mm	m	38.70



ELEVATION

DETAIL "A"

** Tie #25 m2(E) with 3.8 mm wire tightly fastened to prevent any movement between bars.

Notes:

- All reinforcing and Prestressing Steel, and other items which are cast into the Precast Concrete Bulb T-Beams shall be included in the contract unit price per meter of "Furnishing and Erecting Precast Prestressed Concrete Bulb T-Beams, 1829 mm".
- Prestressing steel shall be uncoated high strength, low relaxation 7-wire strand (Fu = 1860 MPa). The nominal diameter shall be 12.7 mm and the nominal cross-sectional area shall be 98.71 mm².
- Required release strength, f'ci, shall be 35 MPa.
- Non-prestressing steel shall conform to AASHTO designation M 31M, M 42M or M 53M Grade 400.
- Reinforcement bars designated (E) shall be epoxy coated.
- Lifting loops shall be 3 - 12.7 mm phi strands (Fu = 1860 MPa), as shown.
- All dimensions are in millimeters (mm) except as noted.

REVISION	DATE	DESCRIPTION	
STATE OF ILLINOIS DEPARTMENT OF TRANSPORTATION 1829 mm PPC BULB T-BEAM - FLARED BEAM NO. 10 SPAN 3 RAMPS B-1 AND B-4 OVER F.A.I. ROUTE 74 (I-74) RAMPS A-3 AND B-3 F.A.I. ROUTE 74 SECTION (72-7) R-3 PEORIA COUNTY STATION 10+779.03 STRUCTURE NUMBER 072-0183 PARSONS TRANSPORTATION GROUP CHICAGO, ILLINOIS			
DRAWING NO.	SCALE	DATE	SHEET NO.
21	N.T.S.	2-18-03	21

Time: 10:02:45 AM

Date: 11/19/2004

Filename: P:\649596\structure\072-0183\Sheet\1\Tracings\SD0006-10720183.dgn

Designed by: AMK
 Checked by: WEE
 Drafted by: FTE/JMG
 Checked by: WEE