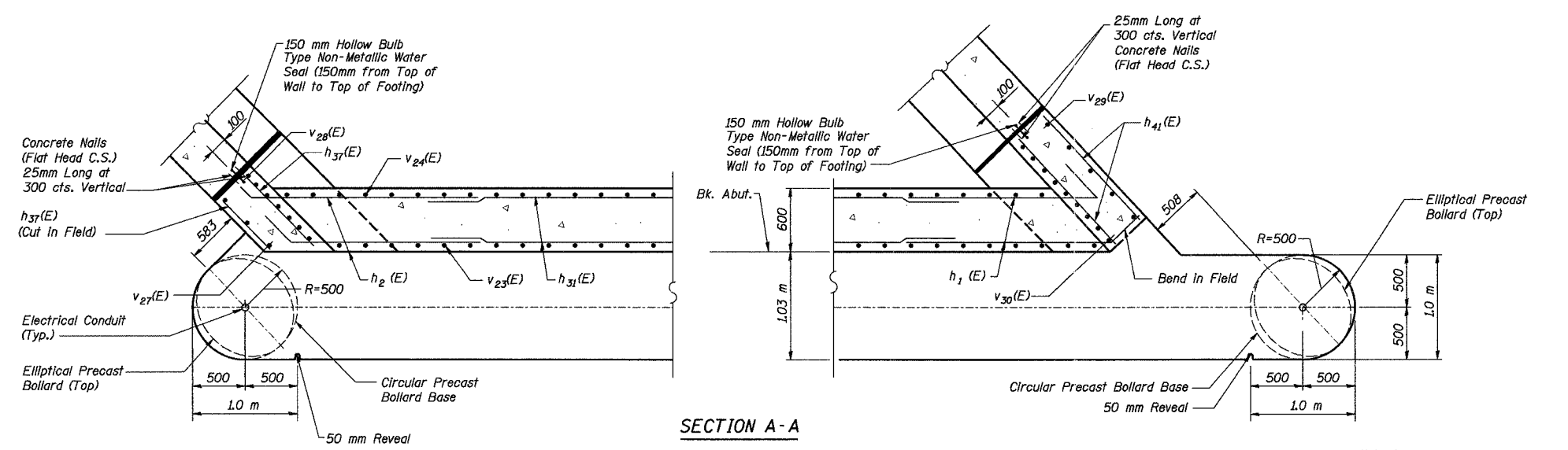
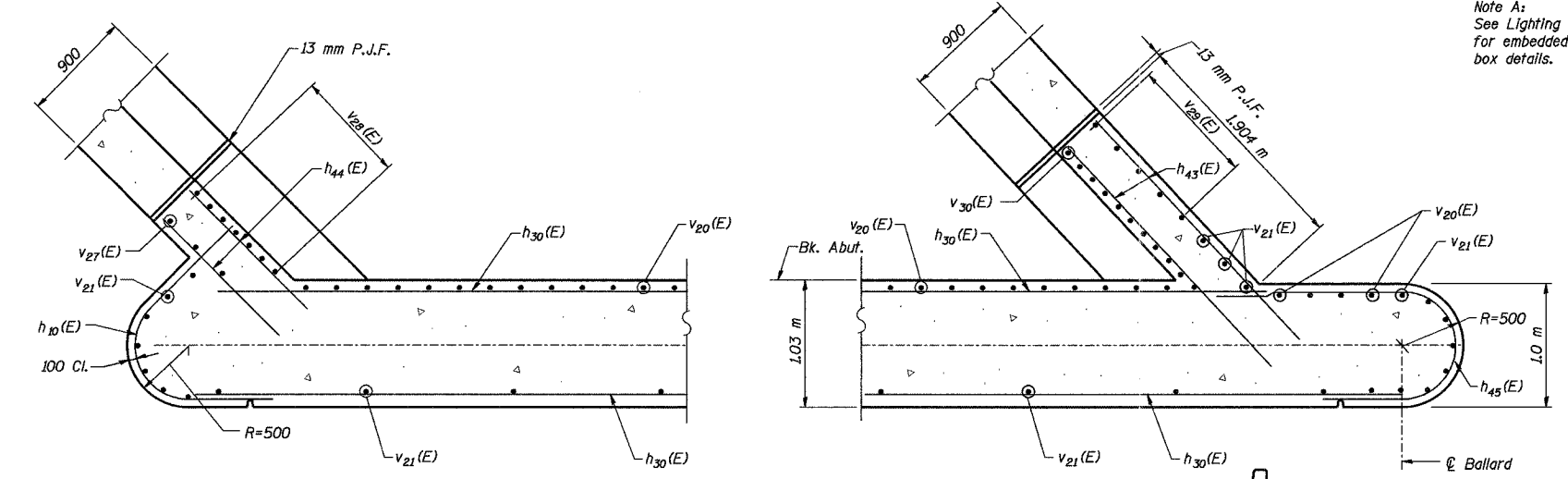


ROUTE NO.	SECT.	COUNTY	SHEET NO.	TOTAL SHEETS
F.A.I. 74	(72-7) R-3	PEORIA	478	1360
FED. ROAD DIST. NO. 7	ILLINOIS		FED. AID PROJECT	

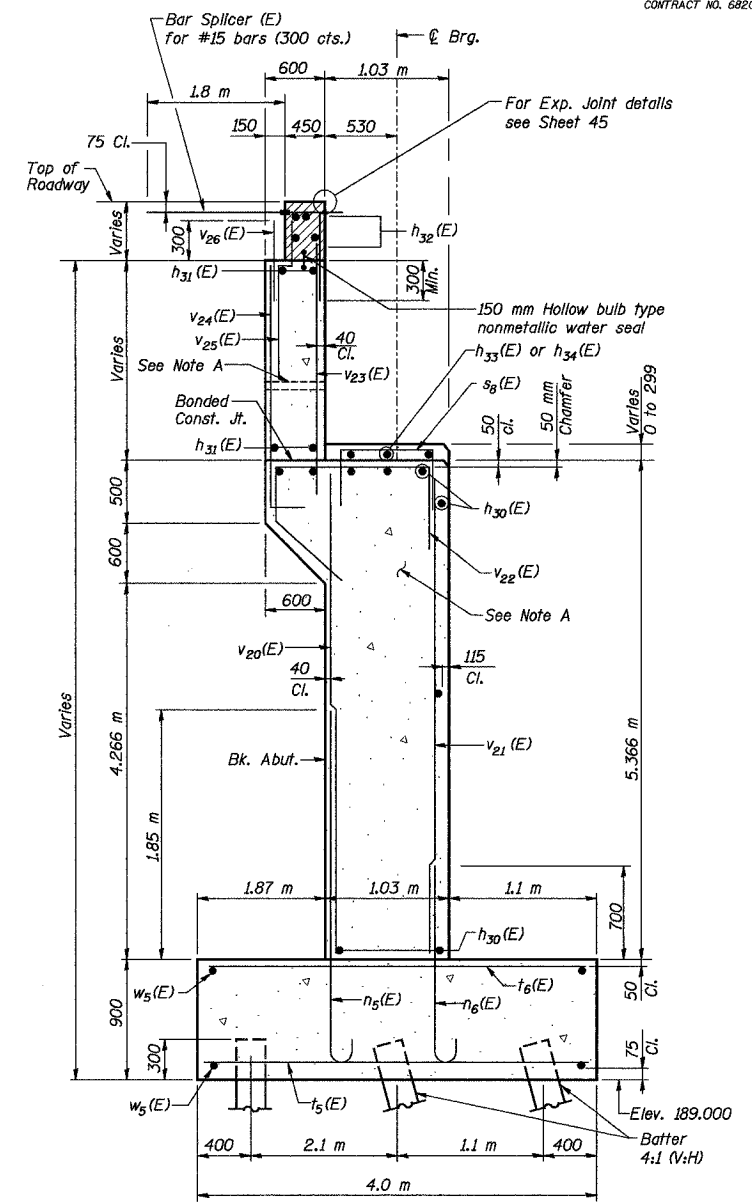
CONTRACT NO. 68200



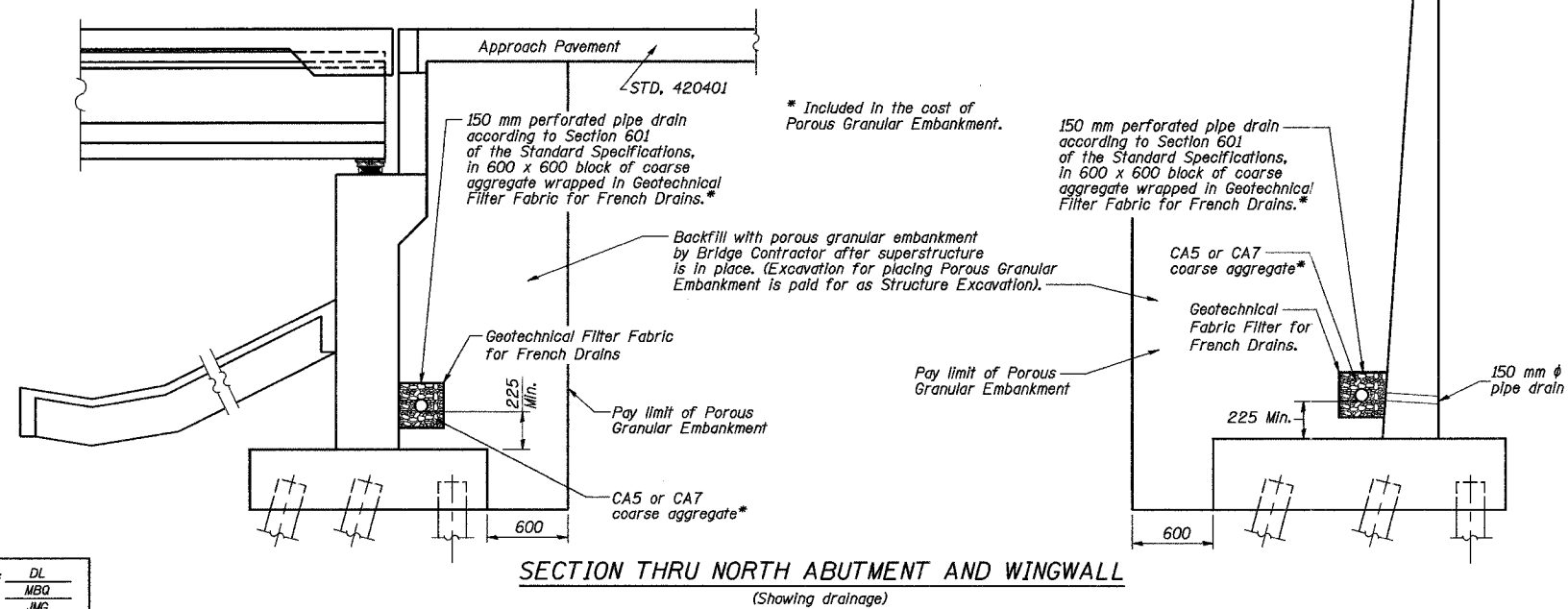
SECTION A-A



SECTION B-B



SECTION THRU ABUTMENT



SECTION THRU NORTH ABUTMENT AND WINGWALL
(Showing drainage)

MIN. BAR LAP
#15 bar = 640
#30 bar = 1.85 m

Notes:
Space reinforcement in cap to miss anchor bolts.
For Bill of Material and reinforcement details, see sheet 38.
Work this sheet with sheet 34.
Pour steps monolithically with cap.
For Rustication on face of abutment and wingwall, see sheet 39.
Hatched area to be poured after superstructure forms have been removed. Quantity of concrete included with Concrete Superstructure.
Connect 150mm pipe drains to drainage structures adjacent to east and west wing walls.
All dimensions are in millimeters (mm) except as noted.

REVISION	DATE	DESCRIPTION
STATE OF ILLINOIS DEPARTMENT OF TRANSPORTATION		
NORTH ABUTMENT DETAILS I		
RAMPS B-1 AND B-4 OVER F.A.I. ROUTE 74 (I-74) RAMPS A-3 AND B-3 F.A.I. ROUTE 74 SECTION (72-7) R-3 PEORIA COUNTY STATION 10+779.03 STRUCTURE NUMBER 072-0183		
PARSONS TRANSPORTATION GROUP CHICAGO, ILLINOIS		
DRAWING NO. 35	SCALE N.T.S.	DATE 2-18-03
		SHEET NO. 35

Date: 1/19/2004
 Time: 10:08:16 AM
 Filename: F:\643996\structure\072-0183\Sheet\Tracings\480010-10720183.dgn

Designed by: DL
 Checked by: MBQ
 Drafted by: JMG
 Checked by: AK