

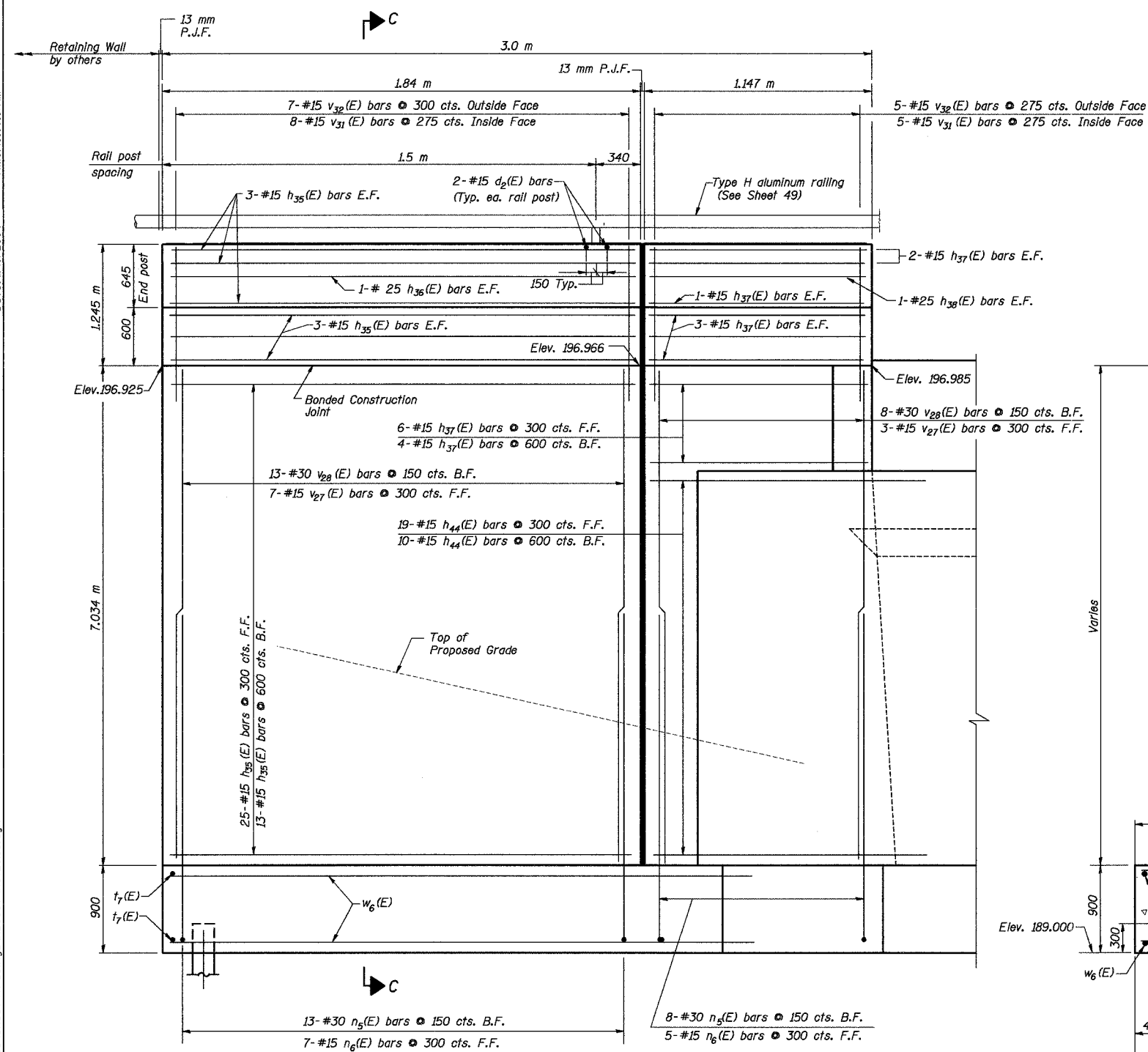
ROUTE NO.	SECT.	COUNTY	SHEET NO.	TOTAL SHEETS
F.A.I. 74	(72-7) R-3	PEORIA	480	1360
FED. ROAD DIST. NO.	ILLINOIS	FED. AID PROJECT		
NO. 7				

CONTRACT NO. 68200

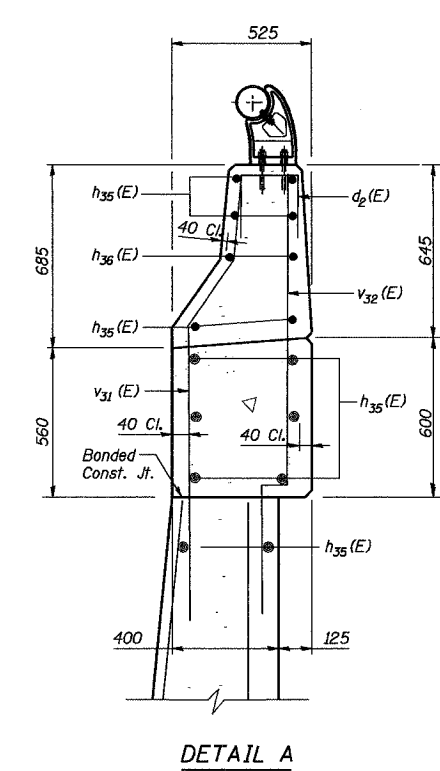
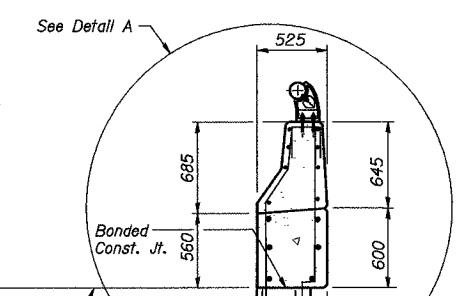
Time: 10:09:01 AM

Date: 1/19/2004

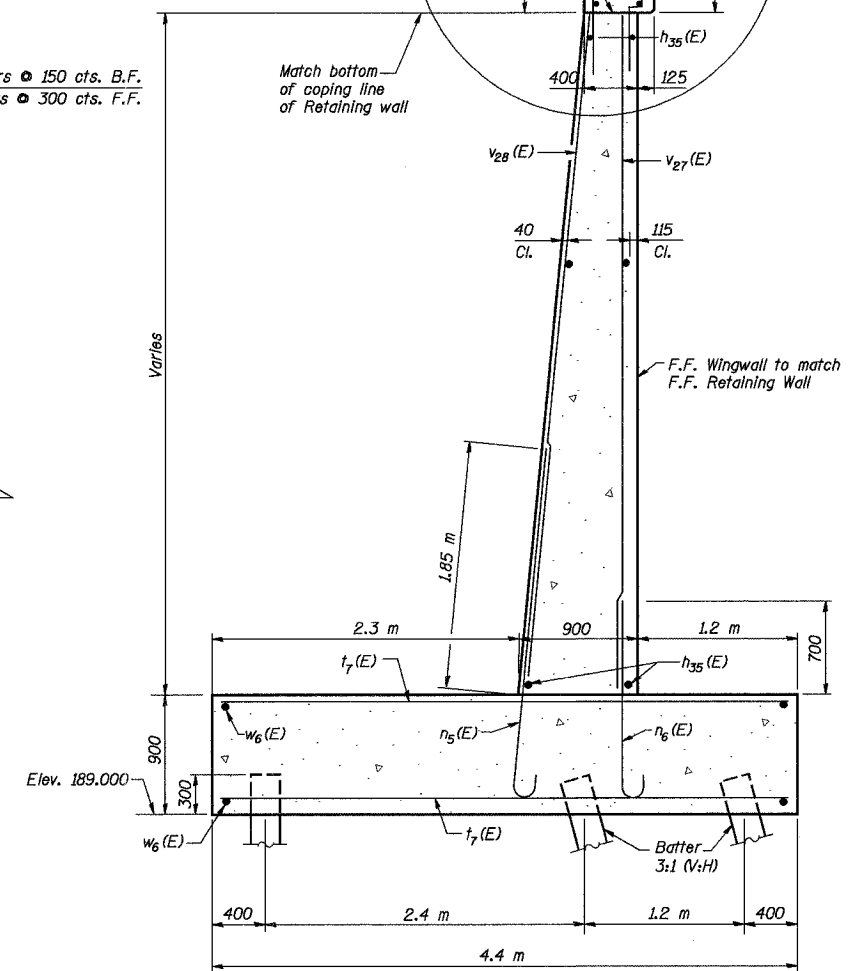
Filename: P:\6439956\struc\ur-d\072-0183\Sheet1\Tracings\480007-1\0720183.dgn



**NORTHWEST WINGWALL**  
(Looking East)



**DETAIL A**



**SECTION C-C**

MIN. BAR LAP  
#15 bar = 640  
#30 bar = 1.85 m

- Notes:
- Reinforcement bars designated (E) shall be epoxy coated.
  - Quantity of concrete in end post included with Concrete Superstructure on Sheet 15.
  - All dimensions are in millimeters (mm) except as noted.
  - For Bill of Material see Sheet 38.
  - For Drainage behind abutments and wingwalls see Sheet 35.
- F.F. = Front Face  
B.F. = Back Face  
E.F. = Each Face

REVISION	DATE	DESCRIPTION
STATE OF ILLINOIS DEPARTMENT OF TRANSPORTATION		
NORTH ABUTMENT DETAILS III		
RAMPS B-1 AND B-4 OVER F.A.I. ROUTE 74 (I-74) RAMPS A-3 AND B-3 F.A.I. ROUTE 74 SECTION (72-7) R-3 PEORIA COUNTY STATION 10+779.03 STRUCTURE NUMBER 072-0183		
PARSONS TRANSPORTATION GROUP CHICAGO, ILLINOIS		
DRAWING NO. 37	SCALE N.T.S.	DATE 2-18-03
		SHEET NO. 37

Designed by: DL  
Checked by: MBO  
Drafted by: JMG  
Checked by: AK