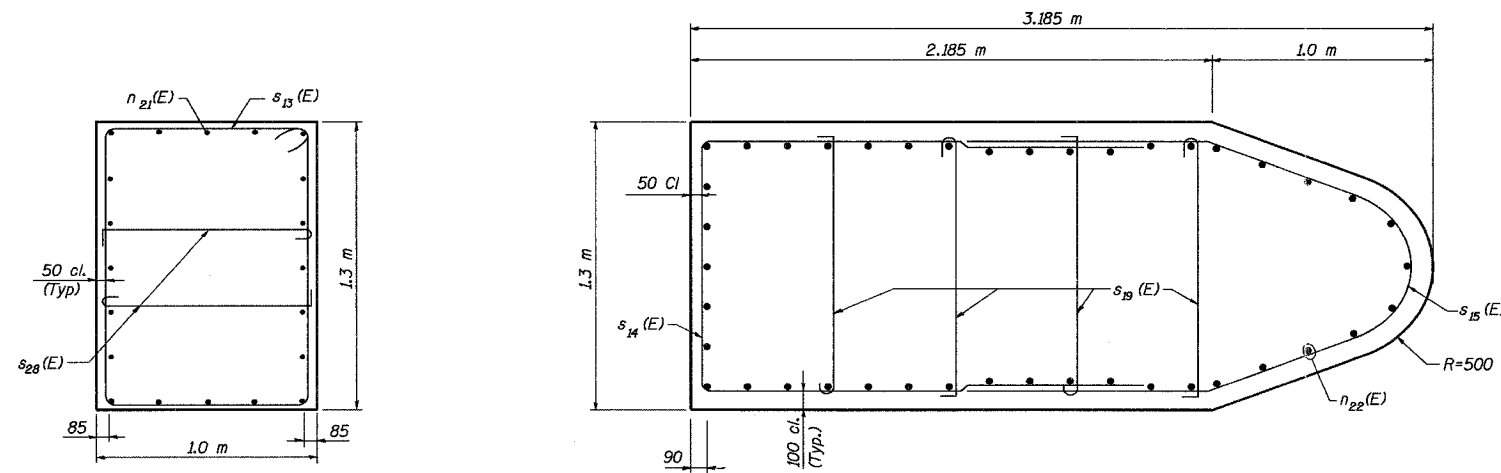
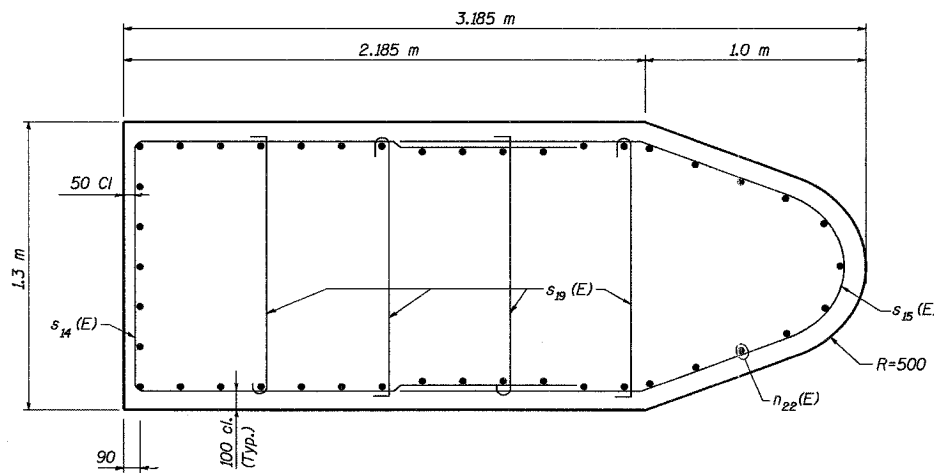


ROUTE NO.	SECT.	COUNTY	SHEET NO.	TOTAL SHEETS
F.A.I. 74	(72-7) R-3	PEORIA	484	1360
FED. ROAD DIST. NO. 7	ILLINOIS	FED. AID PROJECT		

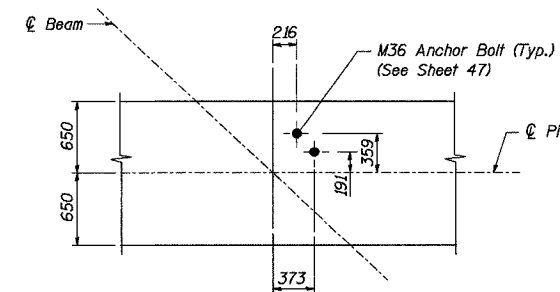
CONTRACT NO. 68200



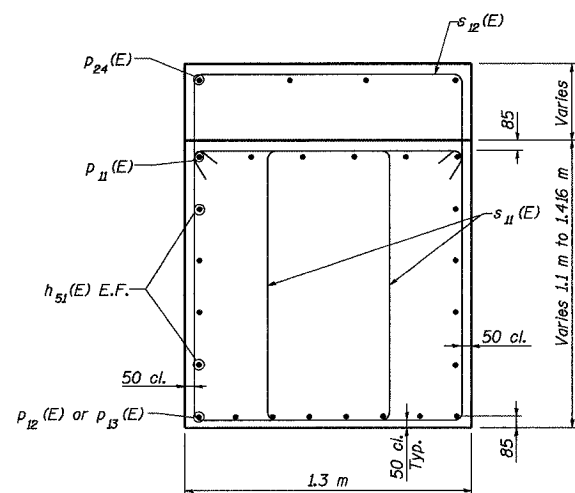
**SECTION A-A**  
Typical Int. Column Section



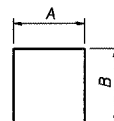
**SECTION B-B**  
Ext. Column Section



**ANCHOR BOLTS LOCATION**



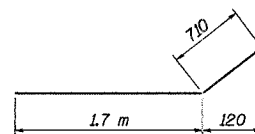
**SECTION C-C**



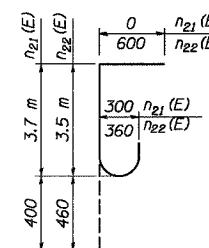
**BARS**

**A & B DIMENSIONS**

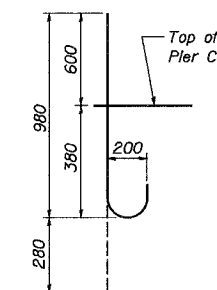
Bar	A	B
s12(E)	1100	650
s14(E)	1100	2000
s16(E)	1070	1100
s17(E)	1100	2310



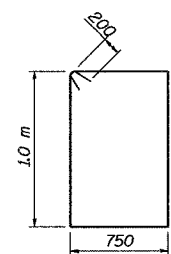
**BAR h63(E)**



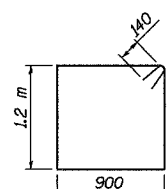
**BARS n21(E), n22(E)**



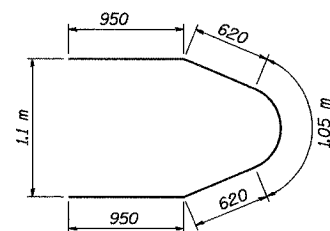
**BAR n11(E)**



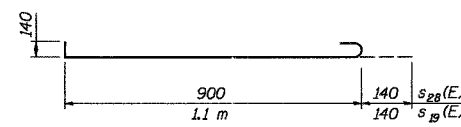
**BAR s11(E)**



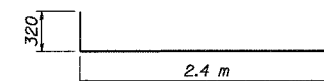
**BAR s13(E)**



**BAR s15(E)**



**BARS s28(E), s19(E)**



**BAR t21(E)**

**BILL OF MATERIAL**

Bar	No.	Size	Length (m)	Shape
h51(E)	135	#20	9.79	—
h63(E)	40	#15	2.41	—
n11(E)	58	#25	1.26	U
n21(E)	80	#30	4.10	U
n22(E)	80	#35	4.56	U
p11(E)	12	#30	15.18	—
p12(E)	8	#30	17.06	—
p13(E)	8	#30	12.56	—
p24(E)	8	#25	11.04	—
s11(E)	236	#20	3.90	U
s12(E)	65	#15	2.40	U
s13(E)	40	#15	4.48	U
s14(E)	20	#20	5.10	U
s15(E)	30	#20	4.19	U
s16(E)	24	#20	3.27	U
s17(E)	216	#15	5.72	U
s19(E)	80	#15	1.38	U
s28(E)	80	#15	1.18	U
t21(E)	96	#20	3.04	U
t22(E)	96	#15	2.40	—
w21(E)	45	#15	9.91	—
Furnishing Steel Piles HP310x79		m	663	
Driving Steel Piles		m	663	
Test Pile Steel HP310x79		Each	1	
Concrete Structures		m <sup>3</sup>	263.5	
Reinforcement Bars, Epoxy Coated		kg	16570	
Structure Excavation		m <sup>3</sup>	303	

**Notes:**

E.F. - Each Face

Reinforcement bars designated (E) shall be epoxy coated.

All dimensions are in millimeters (mm) except as noted.

REVISION	DATE	DESCRIPTION
<b>STATE OF ILLINOIS</b> <b>DEPARTMENT OF TRANSPORTATION</b>		
<b>PIER 1 DETAILS</b>		
RAMPS B-1 AND B-4 OVER F.A.I. ROUTE 74 (I-74) RAMPS A-3 AND B-3 F.A.I. ROUTE 74 SECTION (72-7) R-3 PEORIA COUNTY STATION 10+779.03 STRUCTURE NUMBER 072-0183		
PARSONS TRANSPORTATION GROUP CHICAGO, ILLINOIS		
DRAWING NO. 41	SCALE N.T.S.	DATE 2-18-03
		SHEET NO. 41

Date: 11/19/2004 Time: 01:02:28 AM

File: c:\p1\43996\structure\072-0183\Sheet1\Tracings\SD00026-1A0720183.dgn

Designed by: DL  
Checked by: AK  
Drafted by: JMG  
Checked by: AK