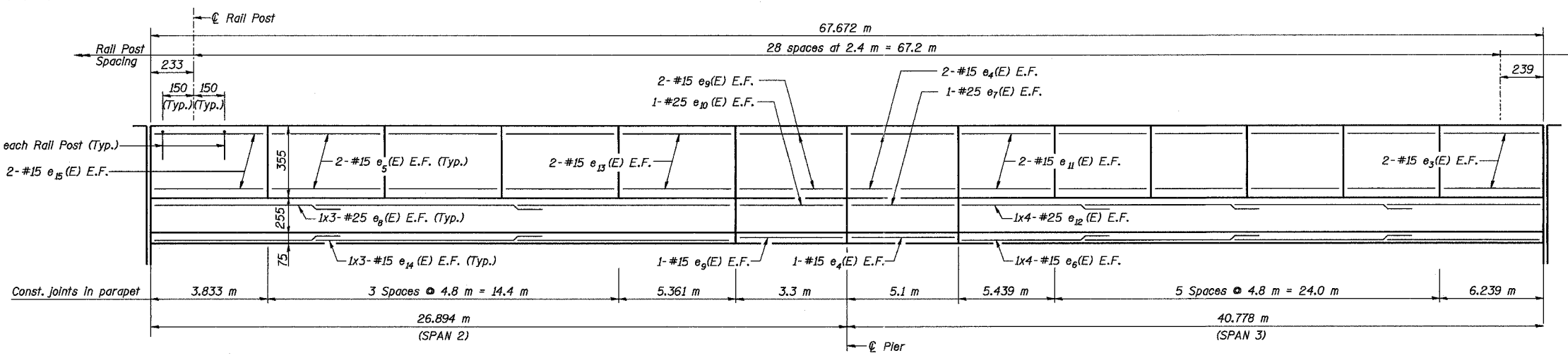


File name: P:\645996\structure\072-0190\sheet\Tracings\SD0003-A0720190.dgn
 Date: 11/22/2004
 Time: 09:04:52 AM

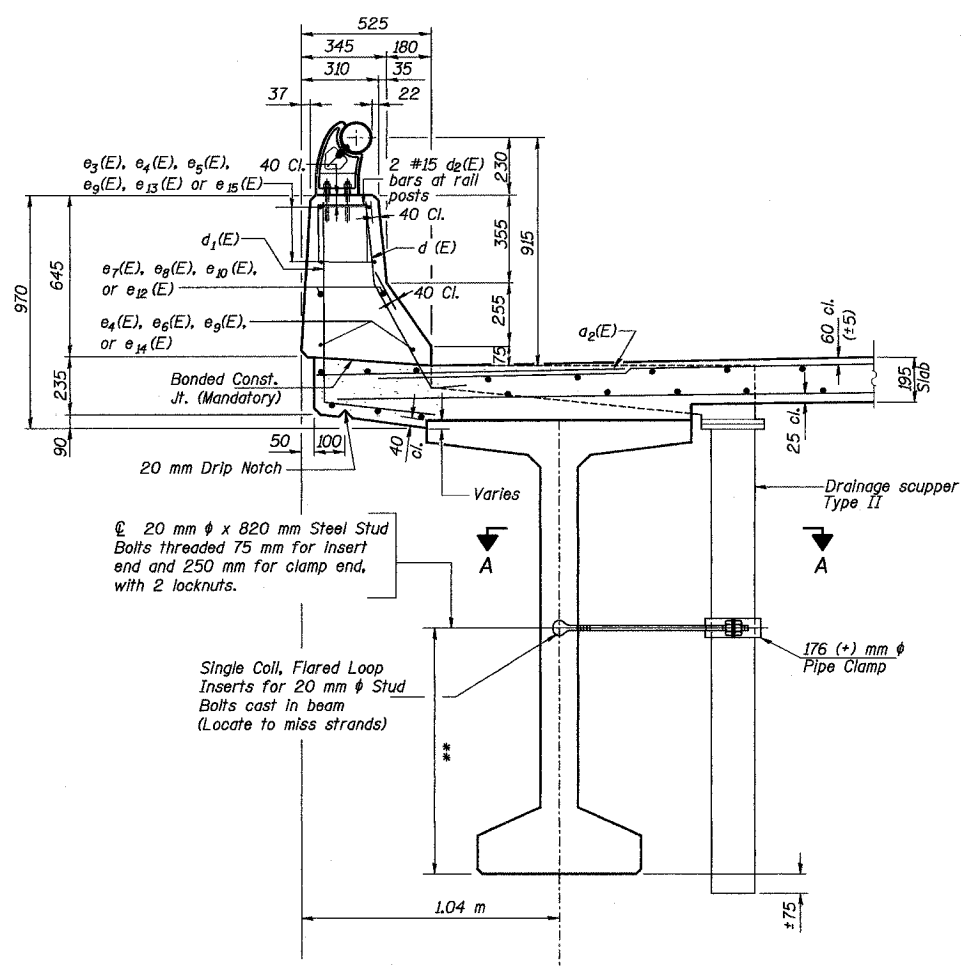
ROUTE NO.	SECT.	COUNTY	SHEET NO.	TOTAL SHEETS
F.A.I. 74	(72-7) R-3	PEORIA	572	1360
FED. ROAD DIST. NO. 7		ILLINOIS	FED. AID PROJECT	

SUPERSTRUCTURE
BILL OF MATERIAL

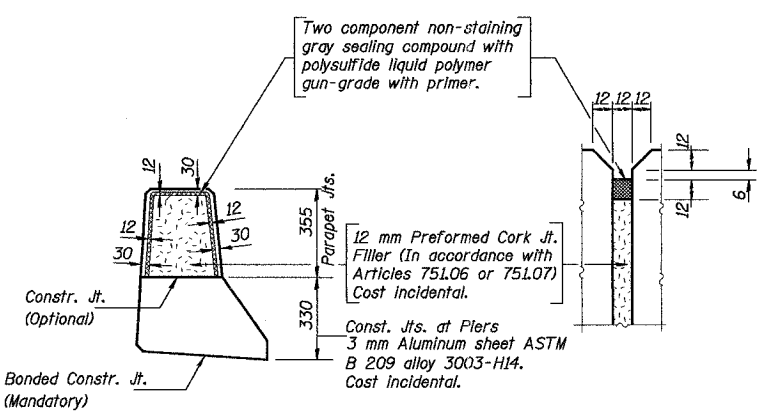
Bar	No.	Size	Length (m)	Shape
a ₁ (E)	338	#20	1.20	
a ₁₀ (E)	1014	#15	6.40	
a ₁₁ (E)	1084	#15	5.20	
a ₁₃ (E)	36	#20	9.30	
a ₁₄ (E)	80	#20	2.65	
b ₁₀ (E)	486	#15	8.10	
b ₁₁ (E)	189	#30	5.84	
b ₁₂ (E)	528	#15	9.00	
d(E)	494	#15	0.97	
d ₁ (E)	454	#15	1.49	
d ₂ (E)	116	#15	0.64	
d ₃ (E)	227	#15	0.82	
d ₄ (E)	494	#15	1.01	
d ₅ (E)	247	#15	1.49	
e ₃ (E)	8	#15	6.13	
e ₄ (E)	23	#15	5.00	
e ₅ (E)	56	#15	4.70	
e ₆ (E)	24	#15	9.38	
e ₇ (E)	6	#25	5.00	
e ₈ (E)	18	#25	8.72	
e ₉ (E)	23	#15	3.20	
e ₁₀ (E)	6	#25	3.20	
e ₁₁ (E)	8	#15	5.34	
e ₁₂ (E)	24	#25	9.89	
e ₁₃ (E)	8	#15	5.26	
e ₁₄ (E)	18	#15	8.26	
e ₁₅ (E)	8	#15	3.73	
e ₁₆ (E)	63	#15	4.99	
e ₁₇ (E)	45	#15	4.61	
m ₁₀ (E)	80	#15	2.58	
m ₁₁ (E)	9	#20	3.1	
m ₁₂ (E)	16	#20	1.87	
s ₁₀ (E)	48	#15	5.76	
x(E)	36	#20	2.90	
x ₁ (E)	24	#20	2.86	
x ₂ (E)	12	#20	2.80	
x ₃ (E)	12	#20	2.73	
x ₄ (E)	12	#20	2.65	
x ₅ (E)	96	#20	2.88	
Reinforcement Bars, Epoxy Coated	kg		50,870	
Concrete Superstructure	m ³		483.0	



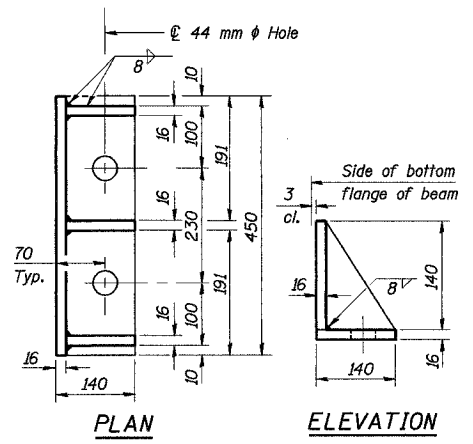
INSIDE ELEVATION OF PARAPET



SECTION THRU PARAPET
(Span 3 as Shown, Span 2 Similar)



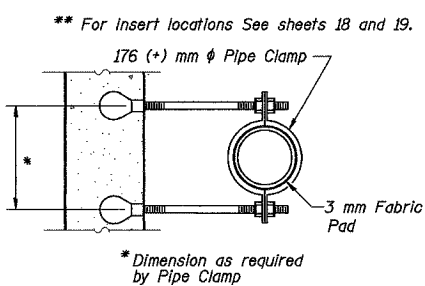
PARAPET JOINT DETAILS



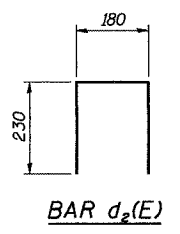
PLAN ELEVATION

Notes: Equivalent rolled angle with stiffeners will be allowed in lieu of welded plates. Mass included with structural steel.

SIDE RETAINER



SECTION A-A



BAR d₂(E)

MIN. BAR. LAP

#15 bar = 640
#25 bar = 1.32 m

Notes:
Reinforcement bars designated (E) shall be epoxy coated.
Bars indicated thus 20 x 3-#15 etc. indicates 20 lines of bars with 3 lengths per line.
For rail details, see Sheet 14.
For location of scouppers see General Plan.
The clamping device and inserts shall be galvanized according to AASHTO M 232.
All dimensions are in millimeters (mm) except as noted.

Designed by: MBQ
 Checked by: AK
 Drafted by: FTE
 Checked by: AK

REVISION	DATE	DESCRIPTION
STATE OF ILLINOIS DEPARTMENT OF TRANSPORTATION PARAPET DETAILS - SPANS 2 & 3 RAMPS B-3 AND B-5 OVER WAR MEMORIAL DR. AND RAMP B-6 F.A.I. ROUTE 74 SECTION (72-7) R-3 PEORIA COUNTY STA. 10+618.61 (RAMP B-3) STA. 10+472.60 (RAMP B-5) STRUCTURE NUMBER 072-0190 PARSONS TRANSPORTATION GROUP CHICAGO, ILLINOIS		
DRAWING NO.	SCALE	DATE
13	N.T.S.	2-21-03
SHEET NO.		
13		