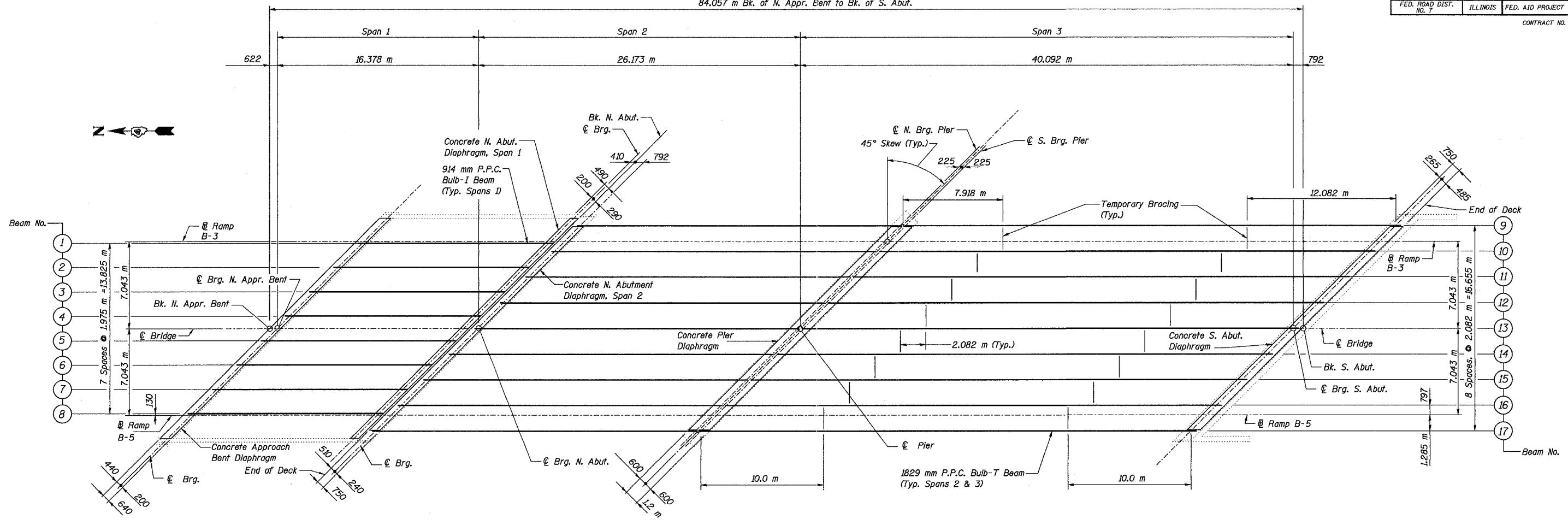


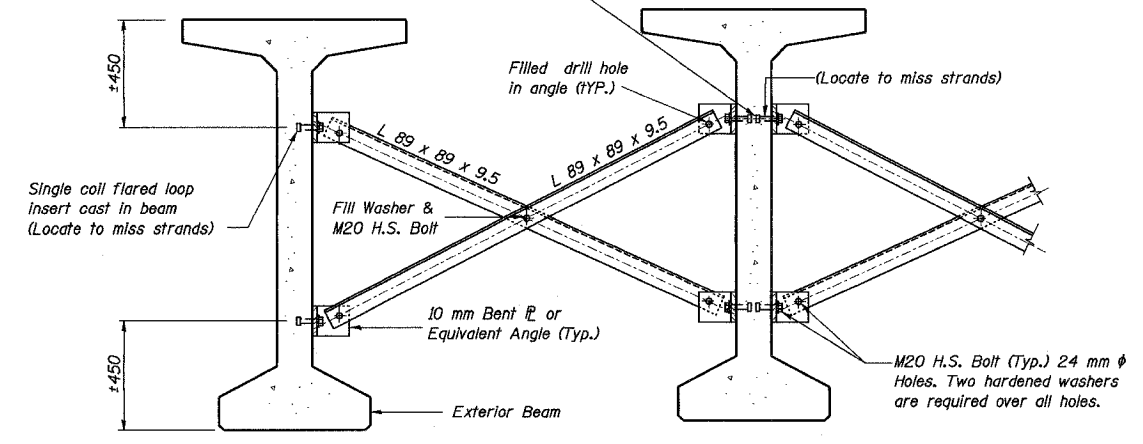
ROUTE NO.	SECT.	COUNTY	SHEET NO.	TOTAL SHEETS
F.A.I. 74	(72-7) R-3	PEORIA	514	1360
FED. ROAD DIST. NO. 7	ILLINOIS	FED. AID PROJECT		

CONTRACT NO. 68200

84.057 m Bk. of N. Appr. Bent to Bk. of S. Abut.



Inserts shall be galvanized according to with AASHTO M232. After removal of the bracing, Inserts shall be filled with M20 bolts galvanized in accordance to AASHTO M232.



TEMPORARY BRACING DETAILS

Notes:
Temporary Bracing details other than those shown are allowed subject to the approval of the Engineer. Cost of temporary bracing included with furnishing and erecting precast prestressed concrete bulb-T beams, 1829 mm.

Designed by:	MBQ
Checked by:	AK
Drafted by:	FTE
Checked by:	AK

REVISION	DATE	DESCRIPTION
STATE OF ILLINOIS DEPARTMENT OF TRANSPORTATION FRAMING PLAN AND TEMPORARY BRACING DETAILS		
RAMP B-3 AND B-5 OVER WAR MEMORIAL DR. AND RAMP B-6 F.A.I. ROUTE 74 SECTION (72-7) R-3 PEORIA COUNTY STA. 10+618.61 (RAMP B-3) STA. 10+472.60 (RAMP B-5) STRUCTURE NUMBER 072-0190		
PARSONS TRANSPORTATION GROUP CHICAGO, ILLINOIS		
DRAWING NO.	SCALE	DATE
15	N.T.S.	2-21-03
		SHEET NO.
		15

Date: 11/22/2004 Time: 09:11:35 AM File: P:\649996\structural\072-0190\sheet\Tracing\FR000-1A0720190.dgn