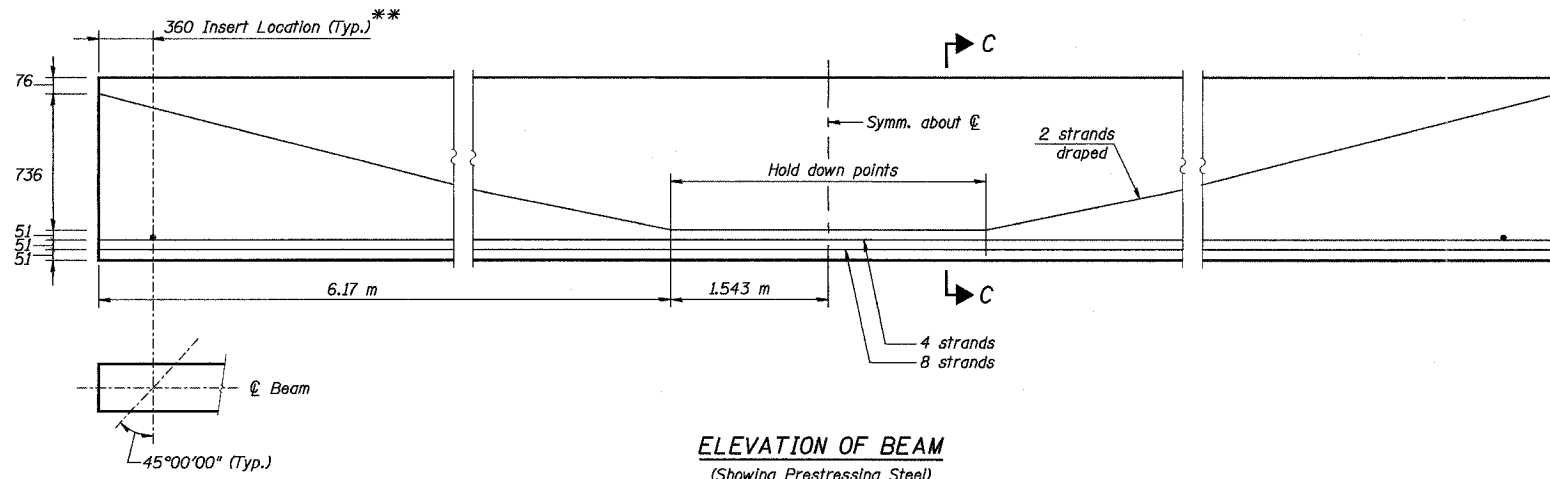
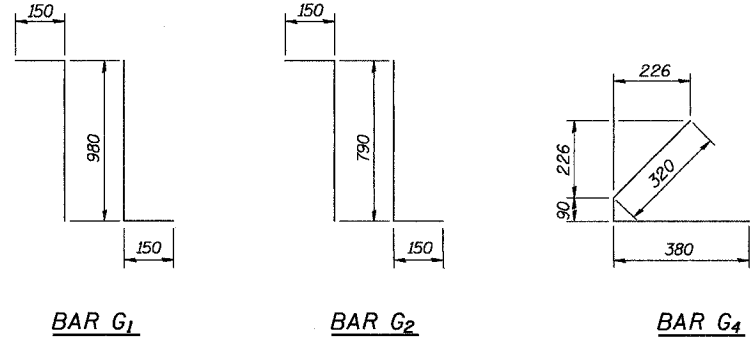


ELEVATION OF BEAM
(Showing Reinforcement & Dimensions)

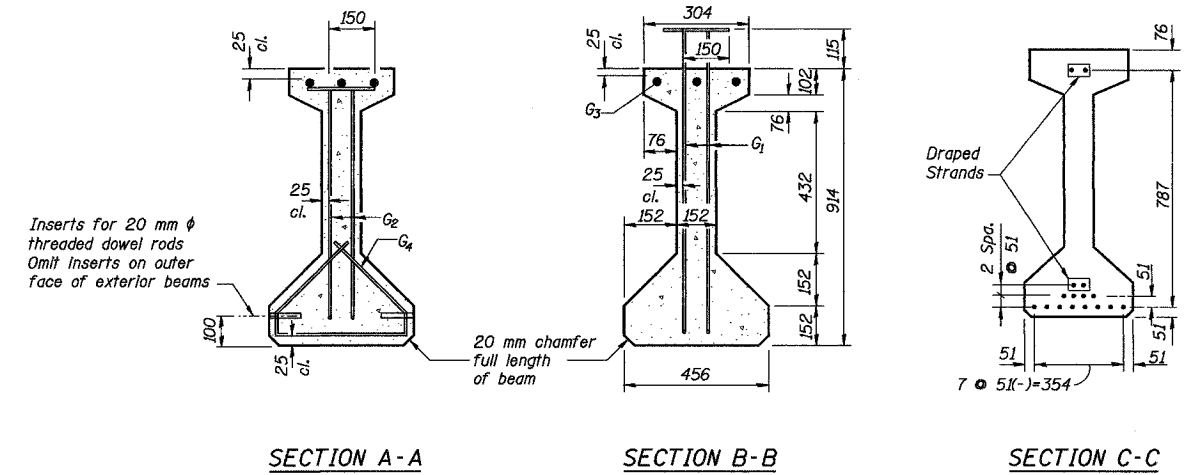


ELEVATION OF BEAM
(Showing Prestressing Steel)

** Skew inserts for 200 mm ϕ x 600 mm Threaded Dowel Rod.
Space inserts to miss strands.



BAR G₁ **BAR G₂** **BAR G₄**



SECTION A-A **SECTION B-B** **SECTION C-C**

*** BAR LIST**

Bar	No.	Size	Length (m)	Shape
G ₁	70	#15	1.28	U
G ₂	12	#20	1.09	U
G ₃	6	#15	8.03	—
G ₄	48	#10	0.79	L

* For one beam only.

BILL OF MATERIAL

Item	Unit	Total
Furnishing and Erecting Precast Prestressed Concrete I-Beams, 914 mm	m	123.41

Notes:

All Inserts and threaded dowel rods for inserts, reinforcing and Prestressing Steel, and other items which are cast into the Precast Concrete Bulb I-Beams shall be included in the contract unit price per meter of "Furnishing and Erecting Precast Prestressed Concrete I-Beams, 914 mm".

Inserts for 20 mm ϕ threaded dowel rods are to be two strut, coil type for interior beams and single coil, flared loop type for exterior beams.

Prestressing steel shall be uncoated high strength, low relaxation 7-wire strand ($F_u = 1860$ MPa). The nominal diameter shall be 12.7 mm and the nominal cross-sectional area shall be 98.71 mm².

Required release strength, f'_{ci} , shall be 35 MPa.

Non-prestressing steel shall conform to AASHTO designation M31M, M42M or M53M Grade 400.

Reinforcement bars designated (E) shall be epoxy coated.

Lifting loops shall be 2 - 12.7 mm ϕ strands ($F_u = 1860$ MPa), as shown.

All dimensions are in millimeters (mm) except as noted.

REVISION	DATE	DESCRIPTION	
STATE OF ILLINOIS DEPARTMENT OF TRANSPORTATION 914 mm PPC I-BEAM VAULTED SPAN 1 RAMPS B-3 AND B-5 OVER WAR MEMORIAL DR. AND RAMP B-6 F.A.I. ROUTE 74 SECTION (72-7) R-3 PEORIA COUNTY STA. 10+618.61 (RAMP B-3) STA. 10+472.60 (RAMP B-5) STRUCTURE NUMBER 072-0190 PARSONS TRANSPORTATION GROUP CHICAGO, ILLINOIS			
DRAWING NO.	SCALE	DATE	SHEET NO.
17	N.T.S.	2-21-03	17

Date: 11/22/2004 Time: 09:24:12 AM File: P:\649996\struc\tur\072-0190\sheet\1\tr\acings\SD0004-1A0720190.dgn

Designed by: AMK
Checked by: WEE
Drafted by: JMG
Checked by: WEE