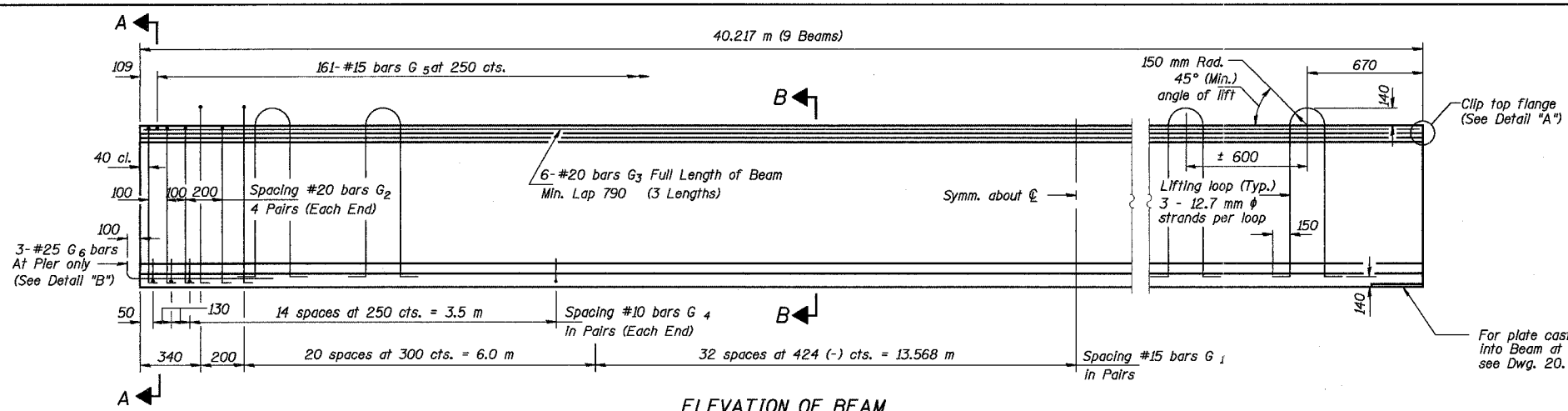
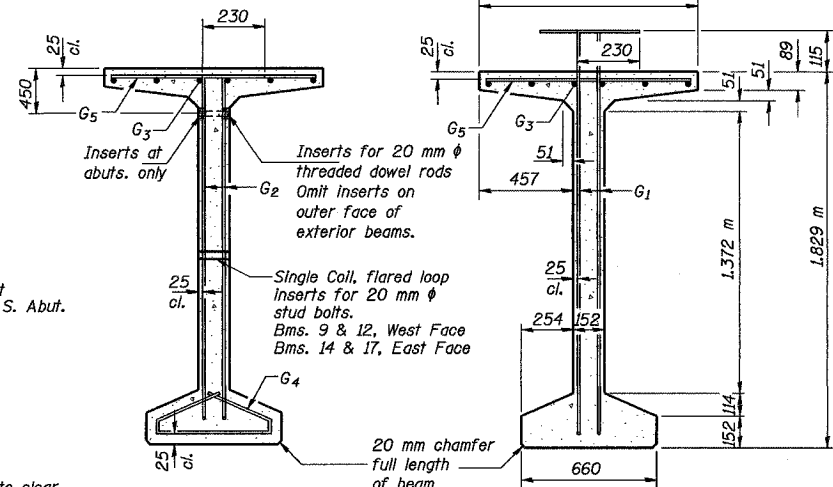


| | | | | |
|-----------------------|------------|----------|------------------|--------------|
| ROUTE NO. | SECT. | COUNTY | SHEET NO. | TOTAL SHEETS |
| F.A.I. 74 | (72-7) R-3 | PEORIA | 518 | 1360 |
| FED. ROAD DIST. NO. 7 | | ILLINOIS | FED. AID PROJECT | |

CONTRACT NO. 68200

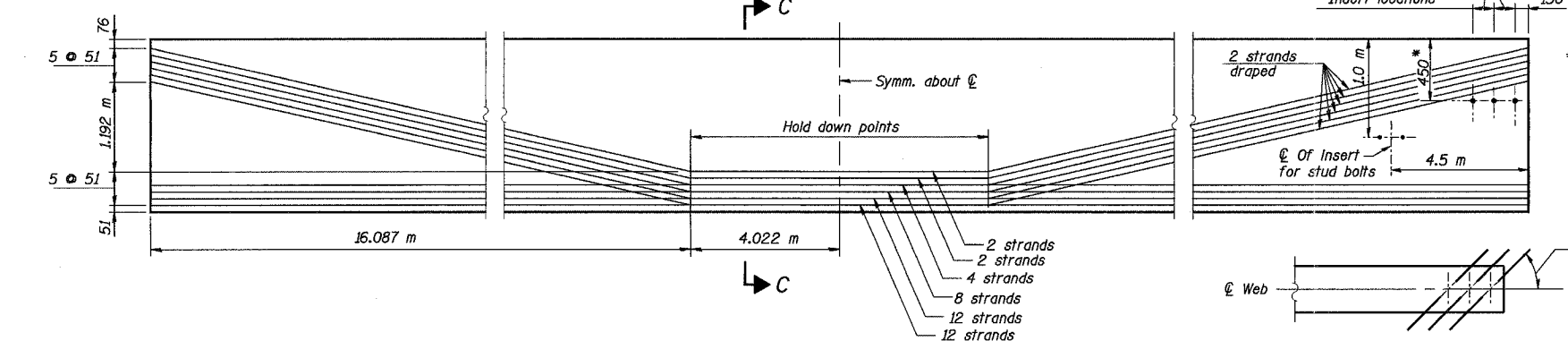


ELEVATION OF BEAM
(Showing Reinforcement & Dimensions)



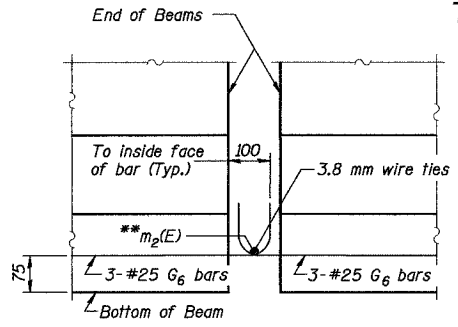
SECTION A-A

SECTION B-B

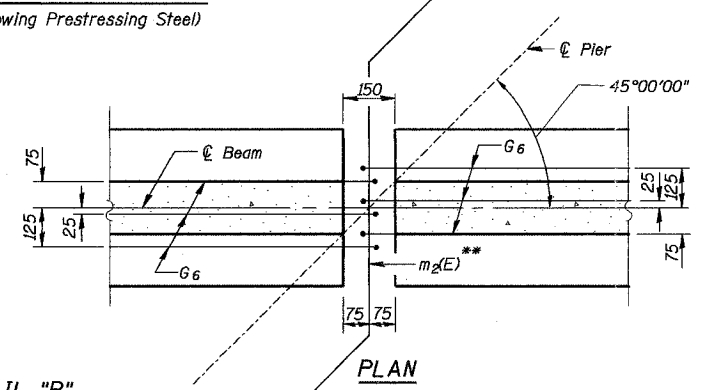


ELEVATION OF BEAM
(Showing Prestressing Steel)

* Space inserts to clear prestressing strands. Skew inserts for 20 mm ϕ x 600 mm threaded dowel rods at S. Abutment



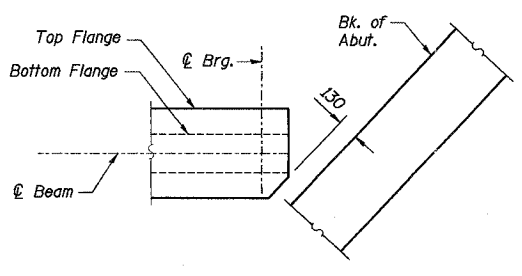
ELEVATION



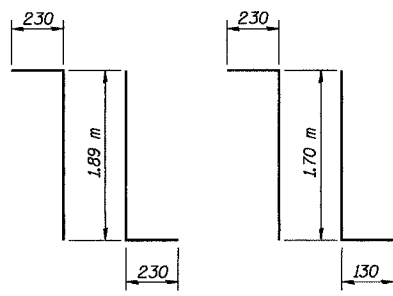
PLAN

DETAIL "B"

**Tie #25 $m_2(E)$ bars with 3.8 mm wire tightly fastened to prevent any movement between bars.

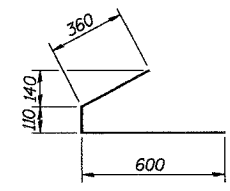


DETAIL "A"

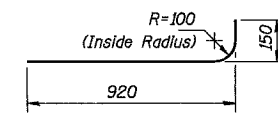


BAR G1

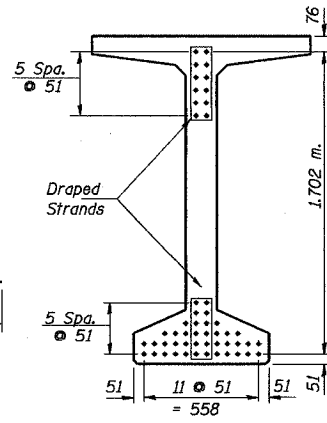
BAR G2



BAR G4



BAR G6



SECTION C-C

*** BAR LIST**

| Bar | No. | Size | Length (m) | Shape |
|-----|-----|------|------------|-------|
| G1 | 214 | #15 | 2.35 | TL |
| G2 | 16 | #20 | 2.06 | TL |
| G3 | 18 | #20 | 13.95 | — |
| G4 | 68 | #10 | 1.07 | — |
| G5 | 161 | #15 | 1.01 | — |
| G6 | 3 | #25 | 1.07 | — |

* For one beam only.

BILL OF MATERIAL

| Item | Unit | Total |
|--|------|--------|
| Furnishing and Erecting Precast Prestressed Concrete Bulb T-Beams, 1829 mm | m | 361.95 |

Notes:

All inserts and threaded dowel rods for inserts, reinforcing and Prestressing Steel, and other items which are cast into the Precast Concrete Bulb T-Beams shall be included in the contract unit price per meter of "Furnishing and Erecting Precast Prestressed Concrete Bulb T-Beams, 1829 mm".

Inserts for 20 mm ϕ threaded dowel rods are to be two strut, coil type for interior beams and single coil, flared loop type for exterior beams.

Prestressing steel shall be uncoated high strength, low relaxation 7-wire strand ($F_u = 1860$ MPa). The nominal diameter shall be 12.7 mm and the nominal cross sectional area shall be 98.71 mm².

Required release strength, f'_{ci} , shall be 35 MPa.

Non-prestressing steel shall conform to AASHTO designation M31M, M42M or M53M Grade 400.

Reinforcement bars designated (E) shall be epoxy coated.

Lifting loops shall be 3 - 12.7 mm ϕ strands ($F_u = 1860$ MPa), as shown.

All dimensions are in millimeters (mm) except as noted.

Date: 11/22/2004
Time: 09:24:52 AM
Filename: P:\643996\structure\072-0190\sheet\1\Tracings\SD0009-1A072090.dgn

Designed by: WEE
Checked by: AMK
Drafted by: FTE/JMG
Checked by: AMK

| REVISION | DATE | DESCRIPTION |
|---|--------|-------------|
| STATE OF ILLINOIS DEPARTMENT OF TRANSPORTATION 1829 mm PPC BULB T-BEAM SPAN 3 RAMPS B-3 AND B-5 OVER WAR MEMORIAL DR. AND RAMP B-6 F.A.I. ROUTE 74 SECTION (72-7) R-3 PEORIA COUNTY STA. 10+618.61 (RAMP B-3) STA. 10+472.60 (RAMP B-5) STRUCTURE NUMBER 072-0190 PARSONS TRANSPORTATION GROUP CHICAGO, ILLINOIS | | |
| DRAWING NO. | SCALE | DATE |
| 19 | N.T.S. | 2-21-03 |
| SHEET NO. | 19 | |