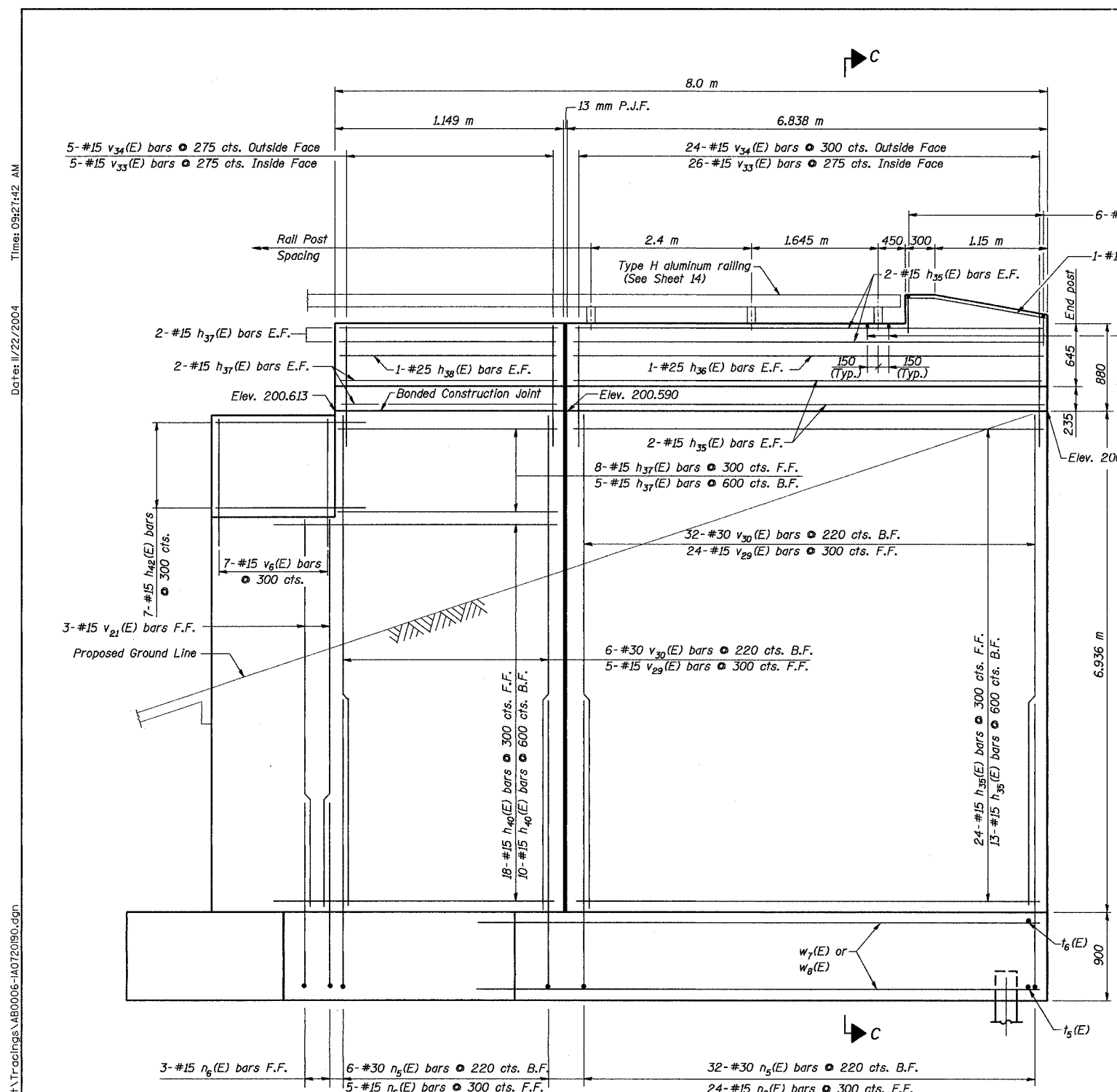


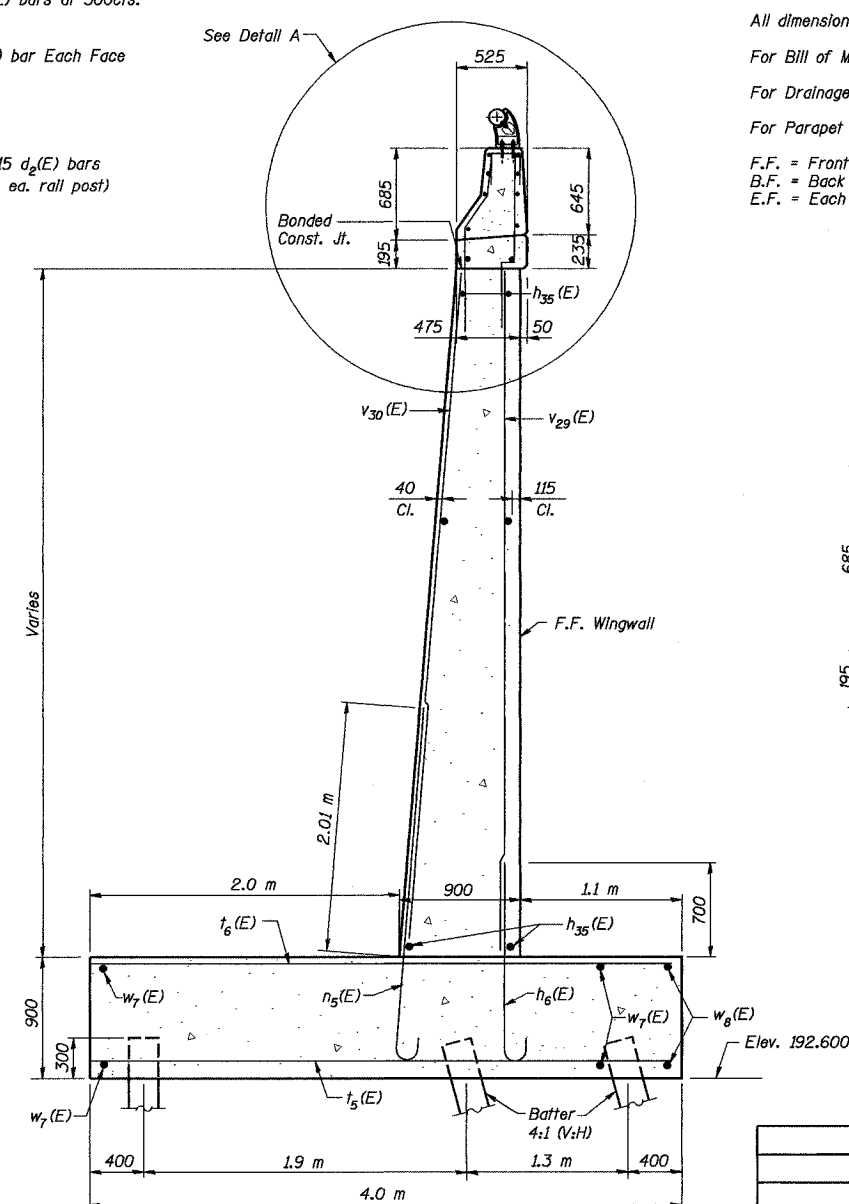
ROUTE NO.	SECT.	COUNTY	SHEET NO.	TOTAL SHEETS
F.A.I. 74	(72-7) R-3	PEORIA	526	1360
FED. ROAD DIST. NO. 7	ILLINOIS	FED. AID PROJECT		

CONTRACT NO. 68200

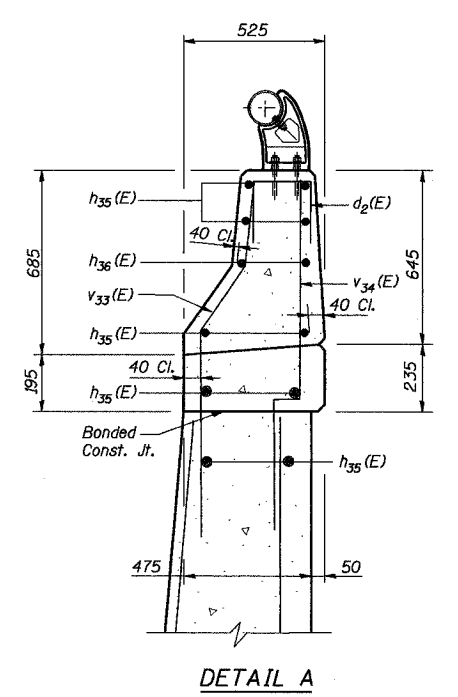
Notes:
 Reinforcement bars designated (E) shall be epoxy coated.
 Quantity of concrete in end post included with Concrete Superstructure on Sheet 13.
 All dimensions are in millimeters (mm) except as noted.
 For Bill of Material see Sheet 29.
 For Drainage behind wingwalls see Sheet 2.
 For Parapet End Section see Sheet 29.
 F.F. = Front Face
 B.F. = Back Face
 E.F. = Each Face



SOUTHWEST WINGWALL
(Looking East)



SECTION C-C



DETAIL A

MIN. BAR LAP
 #15 bar = 640
 #30 bar = 1.85 m

Date: 11/22/2004
 Time: 09:21:42 AM
 File name: F:\643399E\structural\072-0190\sheet\Tracings\AB0006-1A0720190.dgn

Designed by: DL
 Checked by: AK
 Drafted by: JV
 Checked by: AK

REVISION	DATE	DESCRIPTION
STATE OF ILLINOIS DEPARTMENT OF TRANSPORTATION SOUTH ABUTMENT DETAILS II RAMPS B-3 AND B-5 OVER WAR MEMORIAL DR. AND RAMP B-6 F.A.I. ROUTE 74 SECTION (72-7) R-3 PEORIA COUNTY STA. 10+618.61 (RAMP B-3) STA. 10+472.60 (RAMP B-5) STRUCTURE NUMBER 072-0190		
PARSONS TRANSPORTATION GROUP CHICAGO, ILLINOIS		
DRAWING NO.	SCALE	DATE
27	N.T.S.	2-21-03
		SHEET NO.
		27