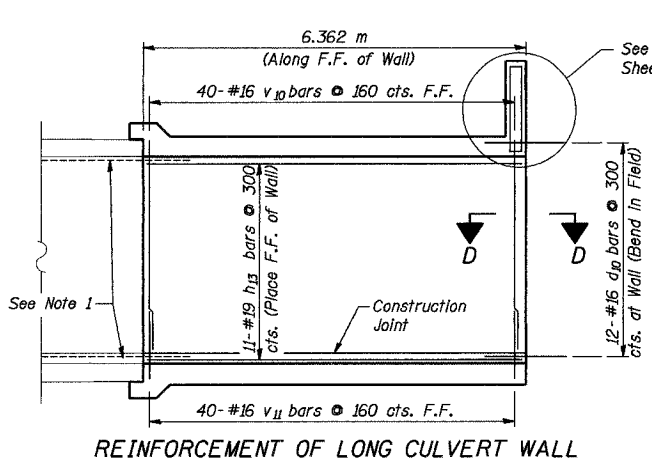
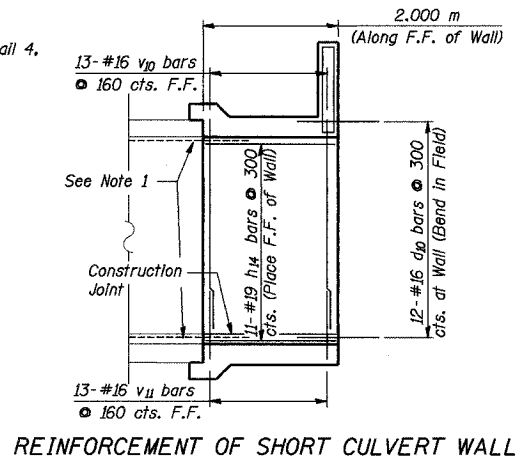


ROUTE NO.	SECT.	COUNTY	SHEET NO.	TOTAL SHEETS
F.A.I. 74	(72-7) R-3	PEORIA	572	1360
FED. ROAD DIST. NO. 7	ILLINOIS	FED. AID PROJECT	CONTRACT NO. 68200	

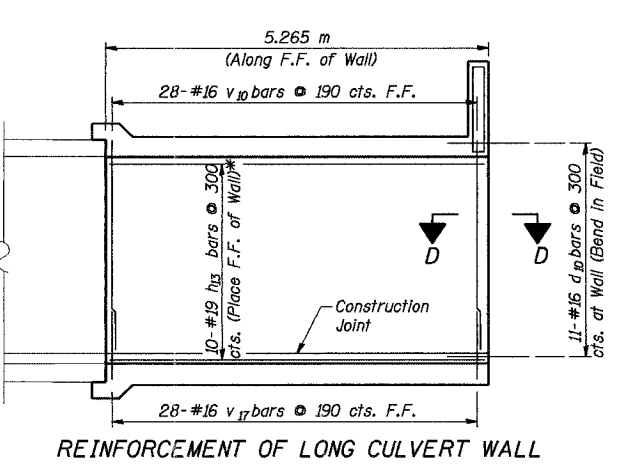
\* Order reinforcing bars full length. Cut to fit skew and use remaining bars in other pipe. See Section A-A on Sheet 6 for bar placement.



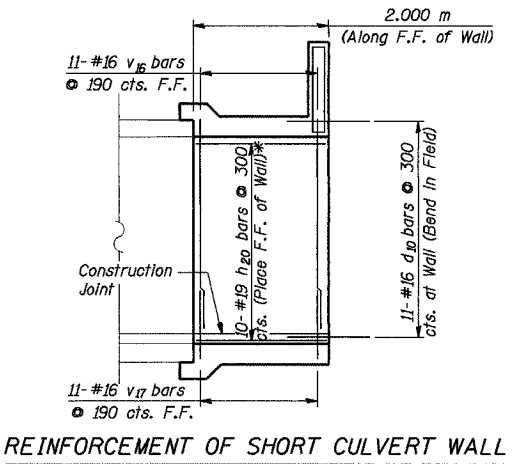
REINFORCEMENT OF LONG CULVERT WALL



REINFORCEMENT OF SHORT CULVERT WALL



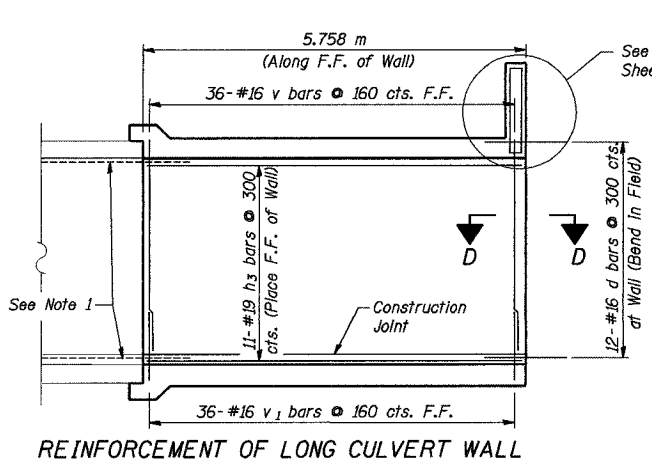
REINFORCEMENT OF LONG CULVERT WALL



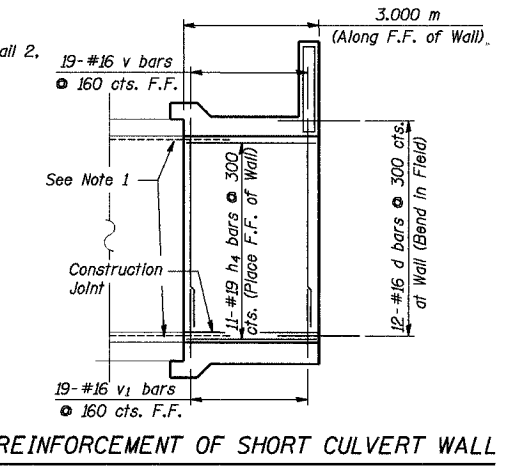
REINFORCEMENT OF SHORT CULVERT WALL

SOUTH HEADWALL - CONNECTION TO EXISTING BOX CULVERT

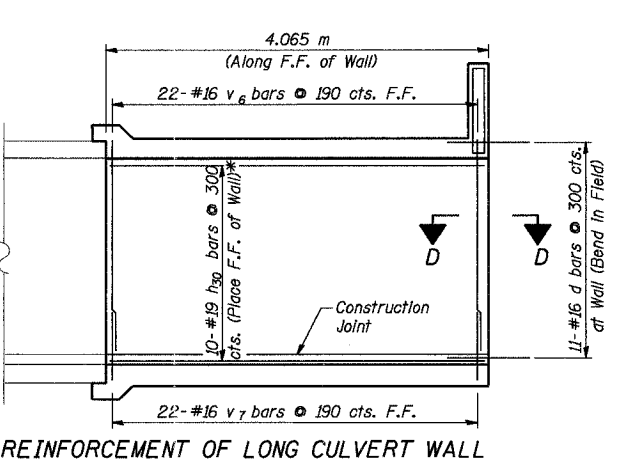
SOUTH HEADWALL - CONNECTION TO PROPOSED PIPE CULVERT (TYP.)



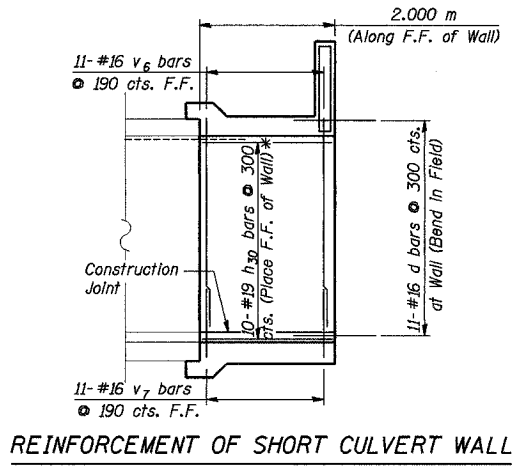
REINFORCEMENT OF LONG CULVERT WALL



REINFORCEMENT OF SHORT CULVERT WALL



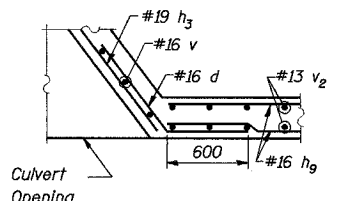
REINFORCEMENT OF LONG CULVERT WALL



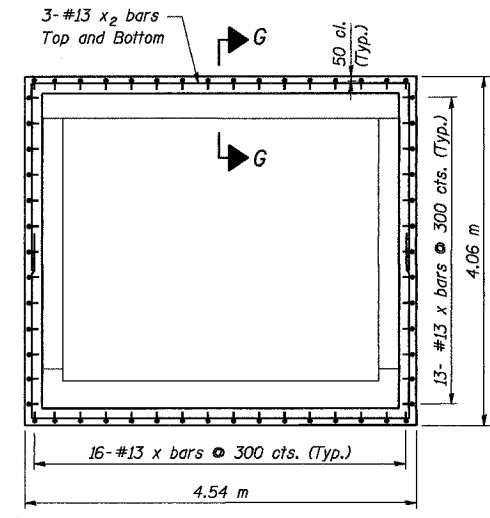
REINFORCEMENT OF SHORT CULVERT WALL

NORTH HEADWALL - CONNECTION TO EXISTING BOX CULVERT

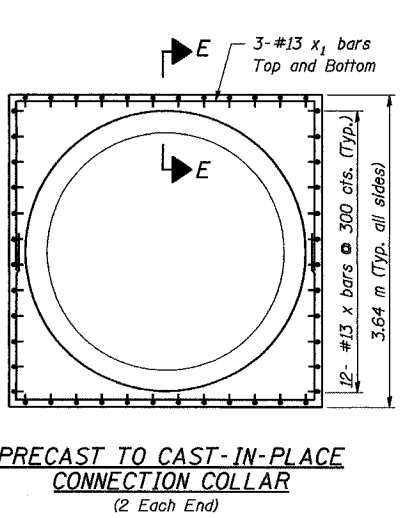
NORTH HEADWALL - CONNECTION TO EXISTING PIPE CULVERT (TYP.)



SECTION D-D  
North End Reinforcement Shown  
(South End Similar)

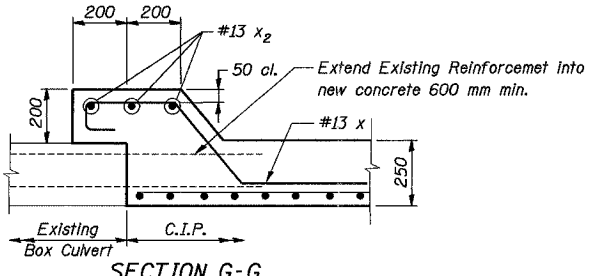


EXISTING TO CAST-IN-PLACE CONNECTION COLLAR  
(1 Each End)

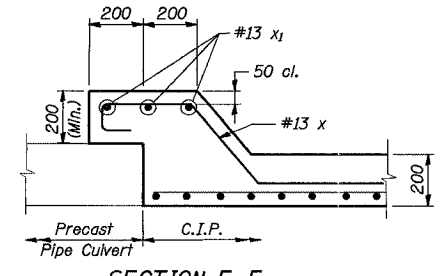


PRECAST TO CAST-IN-PLACE CONNECTION COLLAR  
(2 Each End)

Note: Overall collar dimensions and reinforcing details assume a precast pipe wall thickness of 250 mm.



SECTION G-G  
Top Slab Shown  
(Bottom Slab and Walls similar)



SECTION E-E  
Top Slab Shown  
(Bottom Slab and Walls similar)

Notes:

1. Extend existing longitudinal reinforcement (600 mm min.) into new culvert barrel (See Section 501 of Standard Specifications).
2. All dimensions are in millimeters (mm) except as noted.
3. B.F. = Back Face  
F.F. = Front Face  
E.F. = Each Face

MIN. BAR LAP

- #13 Bar - 550
- #16 Bar - 680

REVISION	DATE	DESCRIPTION
STATE OF ILLINOIS DEPARTMENT OF TRANSPORTATION SIDEWALL AND CONNECTION COLLAR REINFORCEMENT DETAILS		
WAR MEMORIAL DRIVE OVER DRY RUN CREEK F.A.I. ROUTE 74 SEC. (72-7)R-3 PEORIA COUNTY STA. 39+899.517 (U.S. 150) STRUCTURE NUMBER 072-2504		
PARSONS TRANSPORTATION GROUP CHICAGO, ILLINOIS		
DRAWING NO. 5	SCALE N.T.S.	DATE 11/4/04
		SHEET NO. 5

Date: 01/31/2005  
 Time: 09:37:23 AM  
 File: P:\649396\Structural\072-2029-culvert\sheet\Tracings\2\REC0014-1A072-2504.dgn  
 Designed by: WEE  
 Checked by: AK  
 Drafted by: WEE  
 Checked by: AK