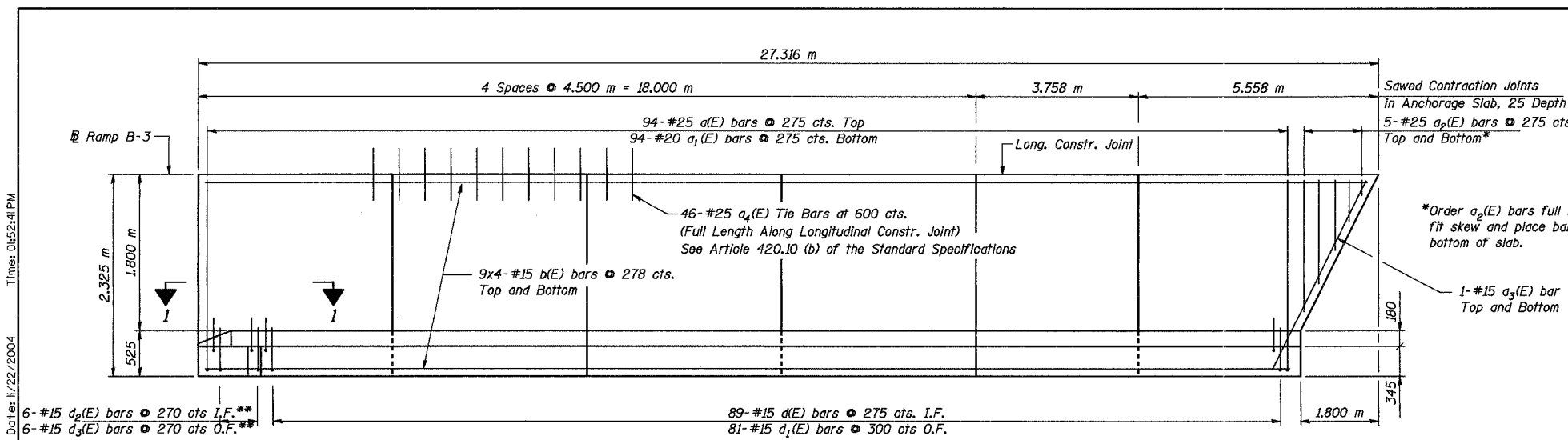
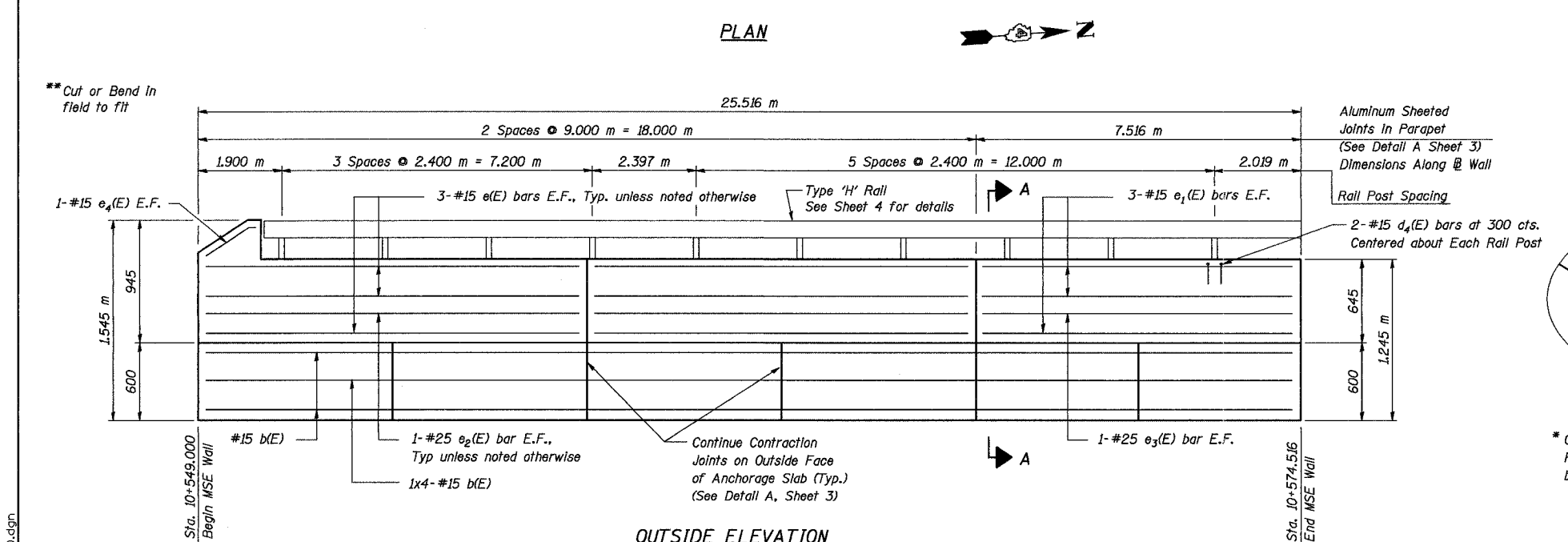


ROUTE NO.	SECT.	COUNTY	SHEET NO.	TOTAL SHEETS
F.A.I. 74	(72-7) R-3	PEORIA	626	1360
FED. ROAD DIST. NO. 7	ILLINOIS	FED. AID PROJECT		

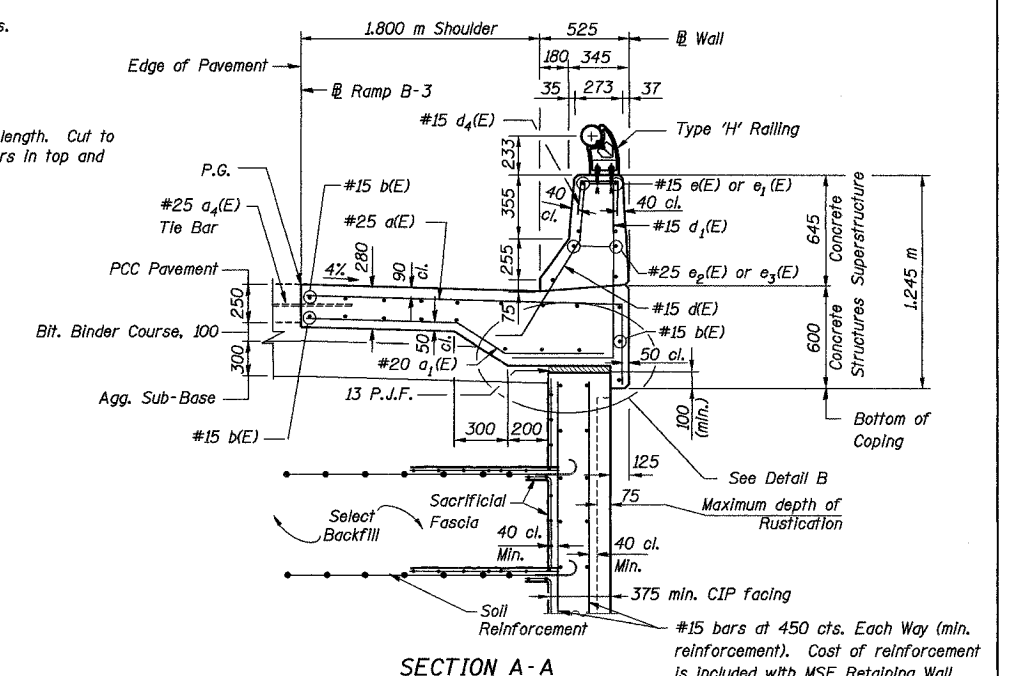
CONTRACT NO. 68200



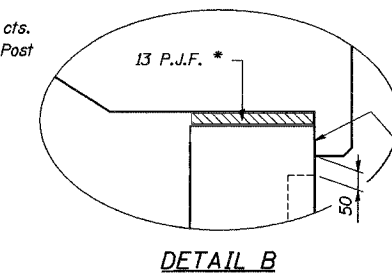
PLAN



OUTSIDE ELEVATION



SECTION A-A

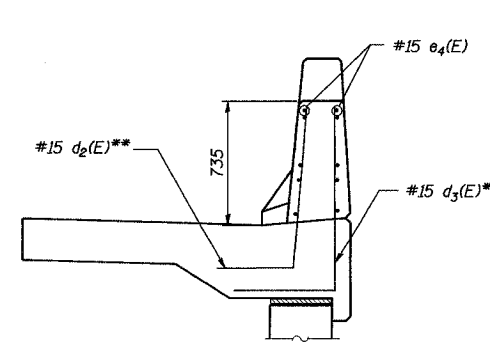


DETAIL B

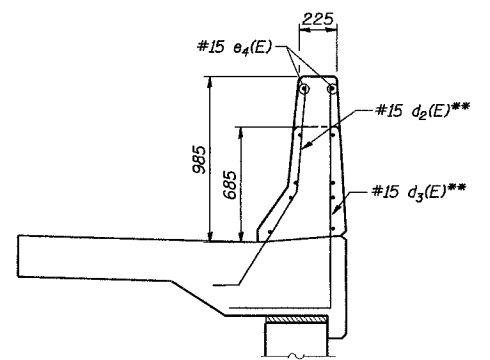
Notes:
 Reinforcement bars designated (E) shall be epoxy coated.
 Bars indicated thus 20 x 3-#15 etc. indicates 20 lines of bars with 3 lengths per line.
 All dimensions are in millimeters (mm) except as noted.
 C.I.P facing design shall be by the Contractor. Concrete thickness and reinforcement as shown on these Plans are the minimum acceptable.
 For Bill of Materials, see Sheet 3.

JOINT DATA

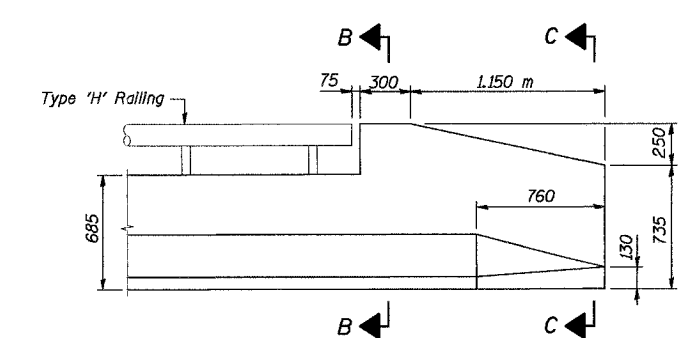
	Station	Edge of Pavement Elevation	B/Coping Elevation
Begin	10+549.000	199.261	198.629
Joint	10+553.500	199.408	198.776
Joint	10+558.000	199.555	198.923
Joint	10+562.500	199.703	199.071
Joint	10+567.000	199.850	199.218
Joint	10+570.758	199.973	199.341
End	10+574.516	200.096	199.464



SECTION C-C



SECTION B-B



VIEW I-1 - PARAPET END SECTION FOR TERMINAL BARRIER TYPE 6 (Inside View)

Designed by: WEE
 Checked by: AK
 Drafted by: WEE
 Checked by: AK

REVISION	DATE	DESCRIPTION
2		MIN. BAR LAPS #15 - 640

REVISION	DATE	DESCRIPTION	
STATE OF ILLINOIS DEPARTMENT OF TRANSPORTATION ANCHORAGE SLAB AND PARAPET REINFORCING DETAILS WALL NO. 11 - RAMP B-3 F.A.I. ROUTE 74 SECTION (72-7)R-3 PEORIA COUNTY STATION 10+549.000 TO 10+574.516 (RAMP B-3) STRUCTURE NUMBER 072-8560 PARSONS TRANSPORTATION GROUP CHICAGO, ILLINOIS			
DRAWING NO.	SCALE	DATE	SHEET NO.
2	N.T.S.	6/25/04	2