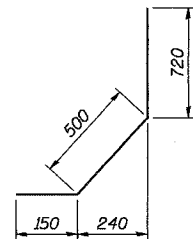
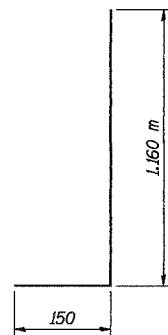


BAR d(E)



BAR d(E)

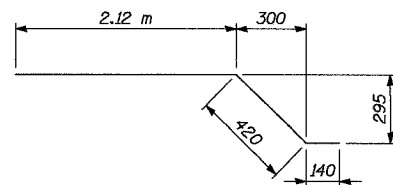


BAR d1(E)

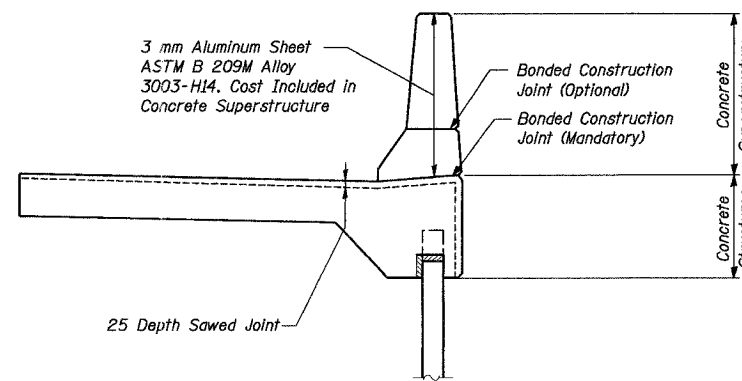
**BILL OF MATERIAL**

Bar	No.	Size	Length (m)	Shape
d(E)	188	#25	3.22	
d1(E)	188	#20	2.68	
d2(E)	84	#25	0.60	
b(E)	138	#15	9.10	
d(E)	188	#15	1.37	
d1(E)	173	#15	1.31	
e(E)	40	#15	9.12	
e1(E)	8	#15	5.02	
e2(E)	10	#25	9.12	
e3(E)	2	#25	5.02	
Reinforcement Bars, Epoxy Coated			kg	7540
Concrete Structures			m <sup>3</sup>	47.5
Concrete Superstructure			m <sup>3</sup>	15.8

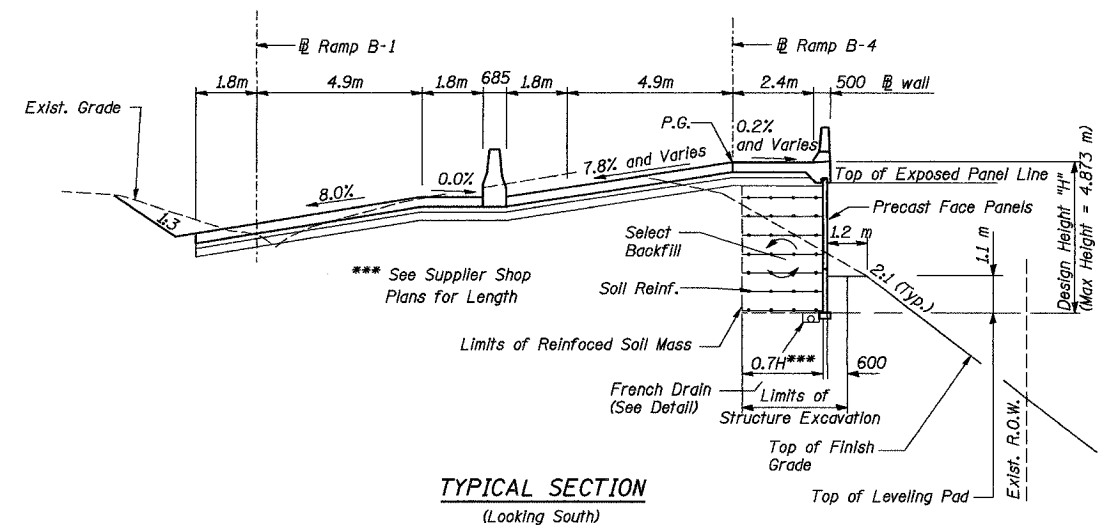
Reinforcement bars designated (E) shall be epoxy coated.



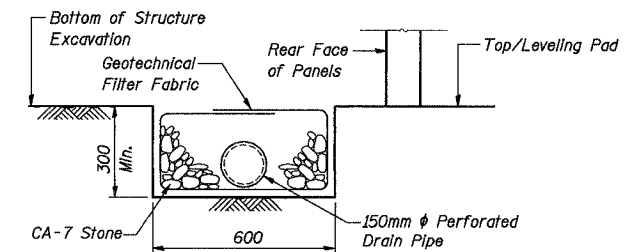
BAR a1(E)



DETAIL A



TYPICAL SECTION  
(Looking South)



FRENCH DRAIN DETAIL

The French Drain Installation shall follow Section 601 of the Standard Specifications except that the trench will be filled with CA-7 coarse aggregate. The trench shall be lined with Geotechnical Filter Fabric for French Drains and have a 150 mm diameter perforated drain pipe located near the base of the excavation. The cost of the Geotechnical Filter Fabric and perforated drain pipe is included with the pay item French Drains.

**Note:**

All dimensions are in millimeters (mm) except as noted.

REVISION	DATE	DESCRIPTION
STATE OF ILLINOIS DEPARTMENT OF TRANSPORTATION		
TYPICAL SECTIONS AND MISC. DETAILS		
WALL NO. 12 - RAMP B-4 F.A.I. ROUTE 74 SECTION (72-7) R-3 PEORIA COUNTY STA. 10+670 TO STA. 10+720 (RAMP B-4) STRUCTURE NUMBER 072-8561		
PARSONS TRANSPORTATION GROUP CHICAGO, ILLINOIS		
DRAWING NO. 3	SCALE N.T.S.	DATE 6/25/04
		SHEET NO. 3

Time: 01:55:41 PM Date: 11/22/2004 File: P:\643996\Structural\072-8561-Wall #2\sheet\Drawings\010001-1A072-8561.dgn

Designed by: WEE  
Checked by: AK  
Drafted by: EI  
Checked by: AK