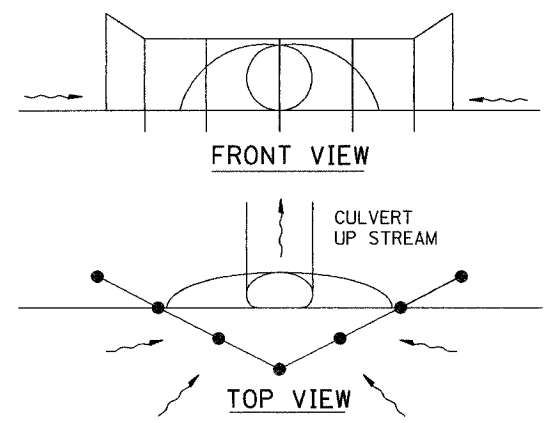
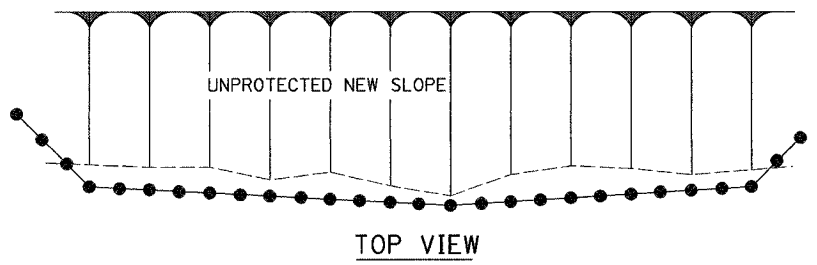


F.A. RTE.	SECTION	COUNTY	TOTAL SHEETS	SHEET NO.
			1302	05
STA.		TO STA.		
FED. ROAD DIST. NO. 1		ILLINOIS	FED. AID PROJECT	



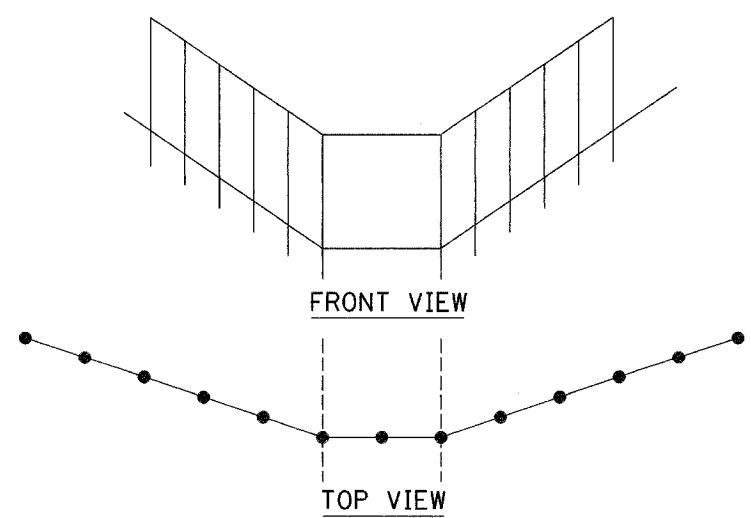
UPSTREAM PIPE CULVERT EROSION CONTROL



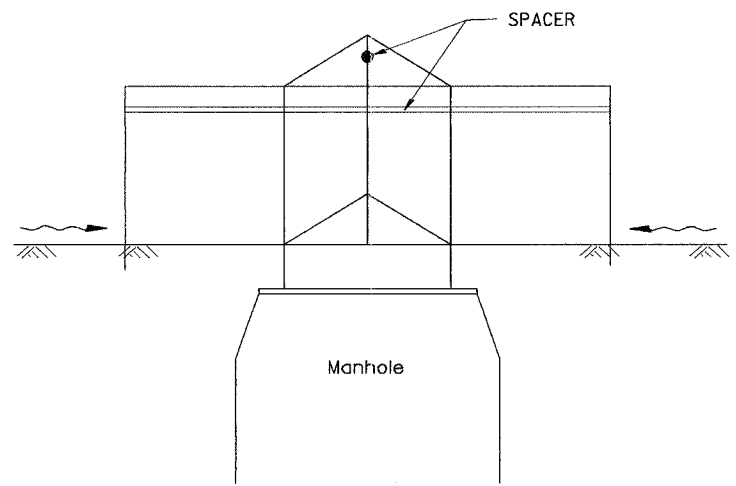
UNPROTECTED NEW SLOPE

TOP VIEW

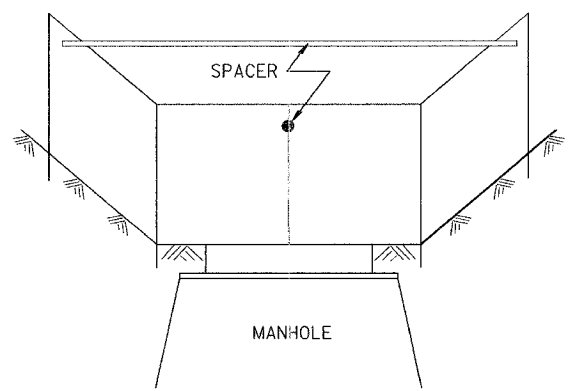
FRONT VIEW



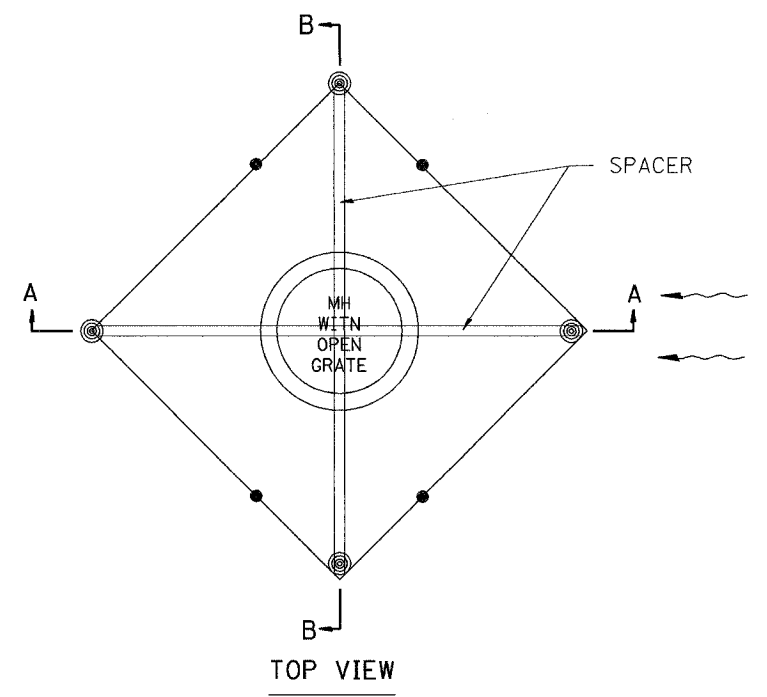
DITCH LINE EROSION CONTROL



SIDE VIEW
A-A



Front View
B-B
EROSION CONTROL
AT
OPEN GRATE MAN HOLE



TOP VIEW

GENERAL NOTES:

1. This work shall be performed in accordance with Sections 280 & 1081, of the Standard Specifications.
2. Additional Timber or Metal Post shall be installed, as needed.

All dimensions are in millimeters (Inches) unless otherwise noted.

ILLINOIS DEPARTMENT OF TRANSPORTATION	
SPECIAL DETAIL SHEET	
TYPICAL APPLICATION OF SILT FILTER FENCE	
CADD DETAIL 280001-D4	DRAWN BY CADD
SCALE: NOT DRAWN TO SCALE	CHECKED BY
DATE **DATE**	

DATE	REVISIONS	BY
1-1-97	RENUM. A-12.05, NEW REVISION BOX	T.P.

DATE