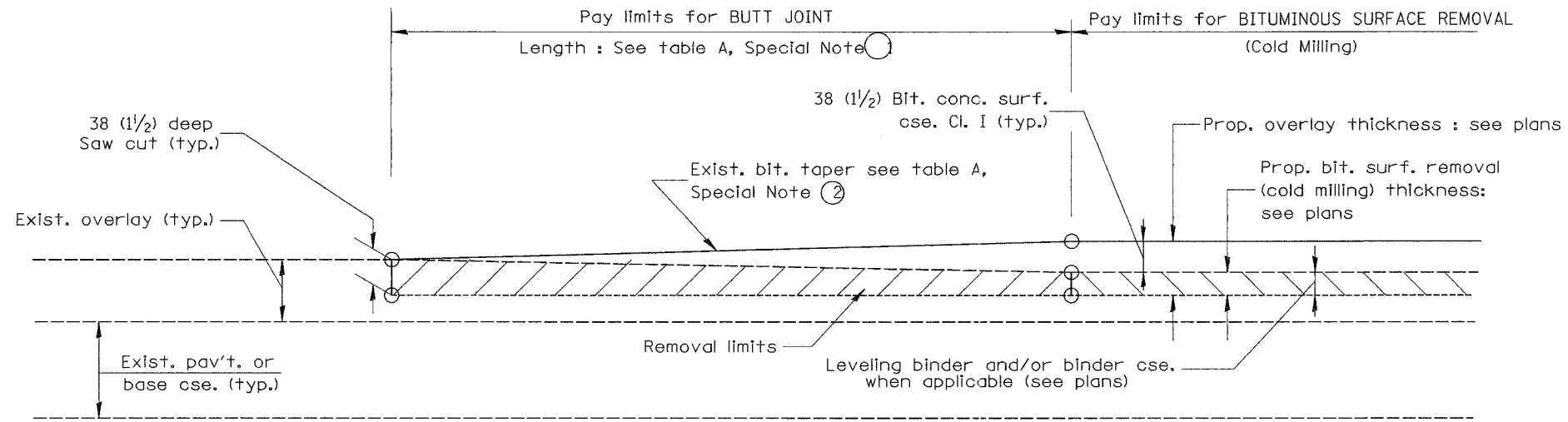
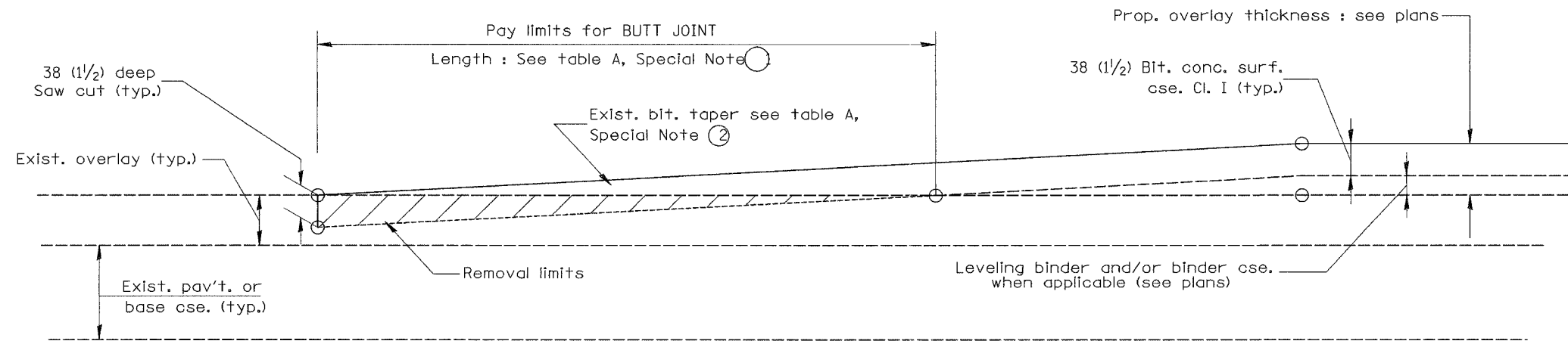


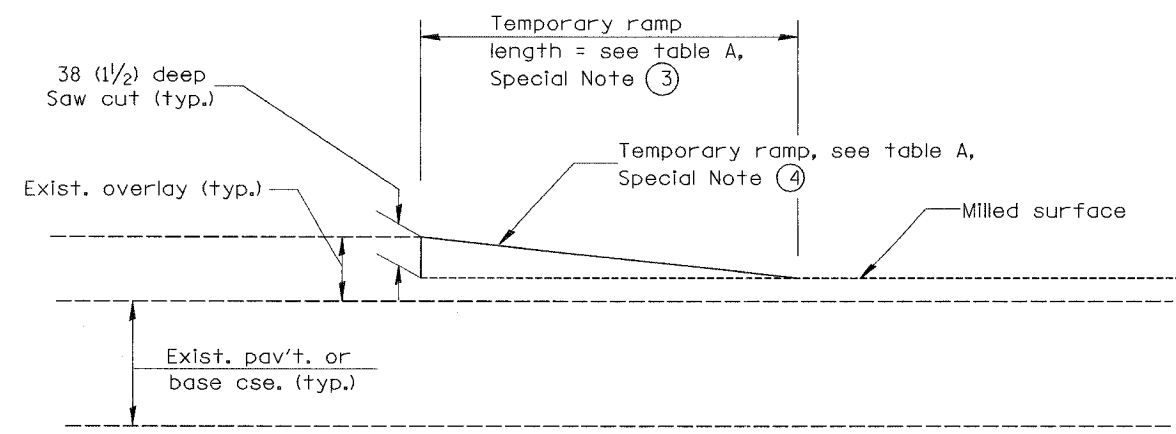
F.A. RTE.	SECTION	COUNTY	TOTAL SHEETS	SHEET NO.
			7362	670
STA. _____		TO STA. _____		
FED. ROAD DIST. NO. _____		ILLINOIS FED. AID PROJECT _____		



**CASE 3 : WITH BITUMINOUS SURFACE REMOVAL (COLD MILLING)  
TIE-IN TO EXISTING BITUMINOUS TAPER**



**CASE 4 : NO BITUMINOUS SURFACE REMOVAL (COLD MILLING)  
TIE-IN TO EXISTING BITUMINOUS TAPER**



**DETAIL TEMPORARY RAMP**

All dimensions are in millimeters (inches) unless otherwise noted.

ILLINOIS DEPARTMENT OF TRANSPORTATION  
DISTRICT CADD STANDARD

**BUTT JOINTS**  
CADD STD NO. 406101-D4 SHEET 2 OF 2  
SCALE: NOT DRAWN TO SCALE DRAWN BY CADD  
DATE: \*\*DATE\*\* CHECKED BY

406101-D4 (2)

\$\$\$DATE\$\$\$

\*DGN-ONLY\*