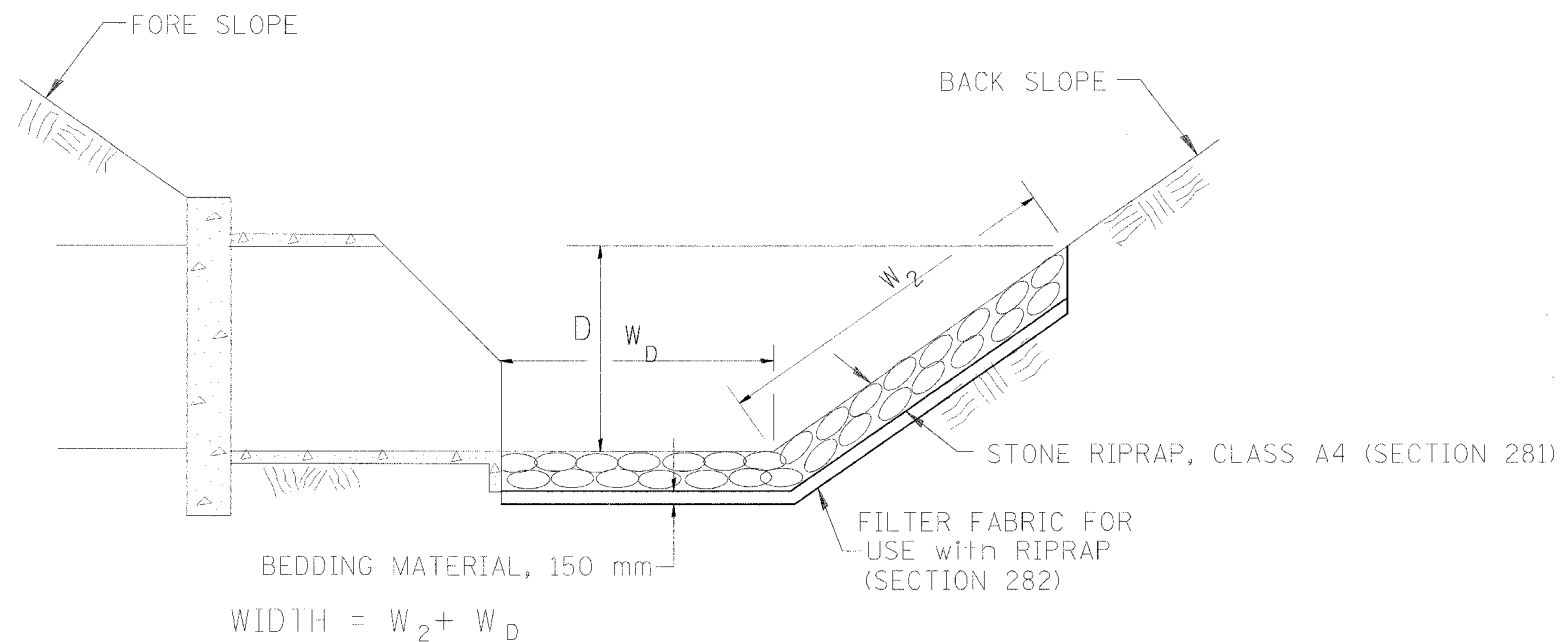


F.A.I. RTE.	SECTION	COUNTY	TOTAL SHEETS	SHEET NO.
74	(72-7)R-3	PEORIA	1360	1009
STA.		TO STA.		
FED. ROAD DIST. NO.		ILLINOIS	FED. AID PROJECT	

**CASE 2**  
(CULVERT & SLOPE)



STONE RIPRAP SCHEDULE								
LOCATION				WIDTH M	LENGTH M	CASE	FILTER FABRIC FOR USE WITH RIPRAP SQ M	STONE RIPRAP, CLASS A4 SQ M
FAI ROUTE 74 WESTBOUND								
STA. 145+981.700	LT	TO	STA. 145+986.300	LT	6	4.6	2	27.60
STA. 146+217.000	LT	TO	STA. 146+224.200	LT	8	7.2	2	57.60
SUBTOTAL							85.20	85.20
TOTAL							86	86

**NOTES:**

1. All dimensions are in millimeters (inches) unless otherwise noted.
2. See Section 281 of the standards specifications for road and bridge construction for additional information.

REVISIONS		ILLINOIS DEPARTMENT OF TRANSPORTATION
NAME	DATE	
		<b>DRAINAGE DETAILS</b> <b>RIPRAP DITCH FOR</b> <b>EROSION PROTECTION</b>
DATE 11/23/04		DRAWN BY CAM CHECKED BY LSA

