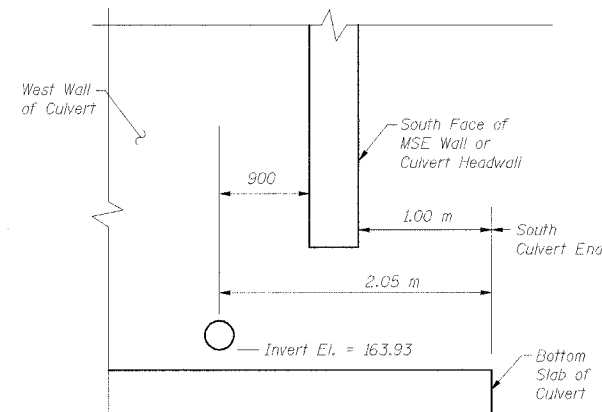


STATE OF ILLINOIS
DEPARTMENT OF TRANSPORTATION

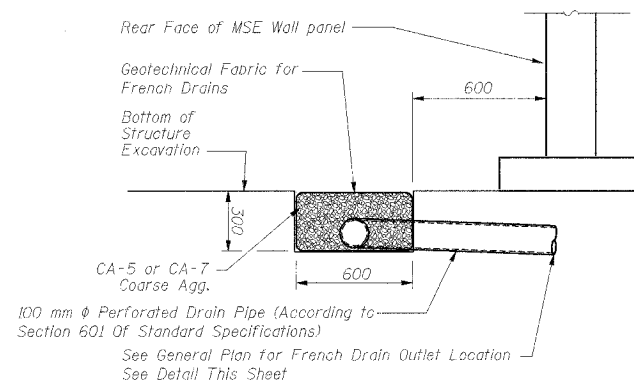
ROUTE NO.	SECTION	COUNTY	TOTAL SHEETS	SHEET NO.
F.A.I. 74	(72-7)R-3	PEORIA	1360	1053
FED. ROAD DIST. NO. 7	ILLINOIS	FED. AID PROJECT		

SHEET NO. 3
OF 9 SHEETS

Contract No. 68200

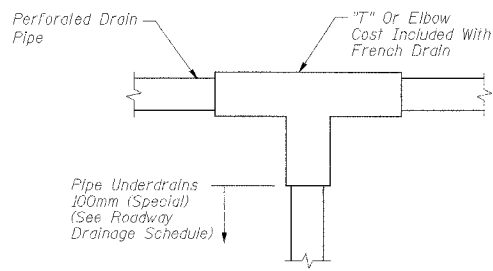


FRENCH DRAIN OUTLET LOCATION

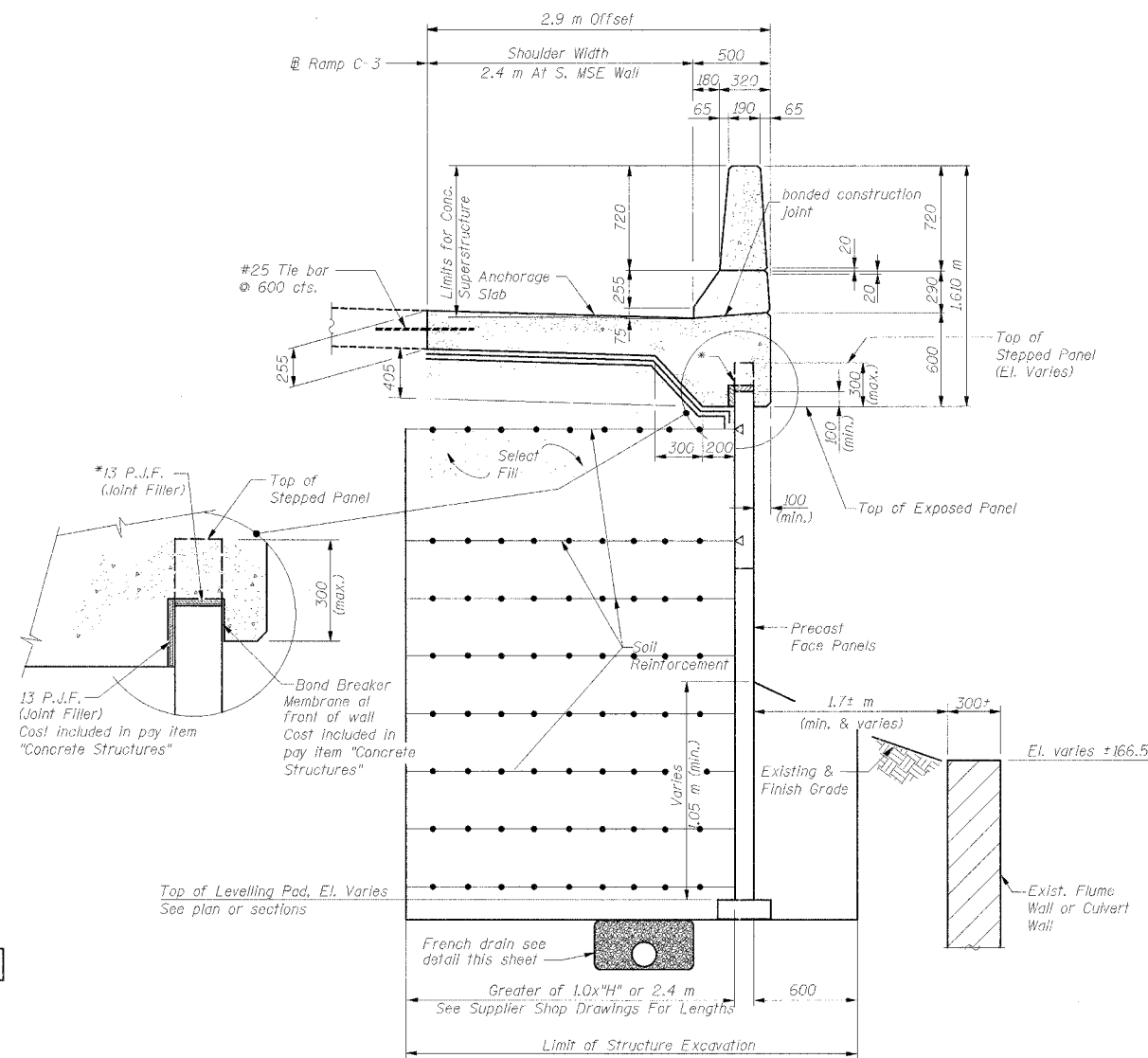


FRENCH DRAIN DETAIL

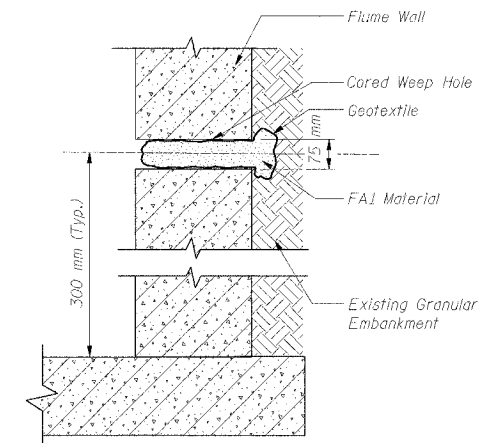
The French Drain Installation shall follow Section 601 of the Standard Specifications except that the trench will be filled with CA-5 or CA-7 coarse aggregate. The trench shall be lined with Geotechnical Fabric for French Drains and have a 100 mm diameter drain pipe located near the base of the excavation. The cost of the Geotechnical Fabric and Drain Pipe is included with the pay item French Drains.



FRENCH DRAIN OUTLET



SECTION A-A THRU PARAPET ABOVE PRECAST MSE WALL FACING SOUTH MSE WALL
(Looking North)



WEEP HOLE DETAIL

WEEP HOLE NOTES:

Proposed weep hole installation procedure:

- Core the hole (75 mm diameter) thru the existing wall at the location shown (every 3.0 m). Locate and clear existing reinforcement.
- Drill out approximately 0.6-0.7 liter of soil behind the wall.
- Roll 1.7-1.8 liter of FA1 material in geotextile, wrap it all around, make the roll approximately 70 mm in diameter and tie the roll securely with elastic.
- Push the roll into the cored hole all the way.

**SOUTH MSE WALL CROSS SECTION
RAMP C-3 OVER DRY RUN CREEK
F.A.I. RTE 74(I-74) SECTION (72-7)R-3
PEORIA COUNTY
STA. 10+190.00 TO STA. 10+277.94 (RAMP C-3)
STRUCTURE NUMBER 072-8619 - WALL 18C**



111 NE Jefferson Ave.
Peoria, Illinois 61602
Ph(309)676-8464
FAX(309)676-5445

DESIGNED	GEK
CHECKED	
DRAWN	GEK
CHECKED	