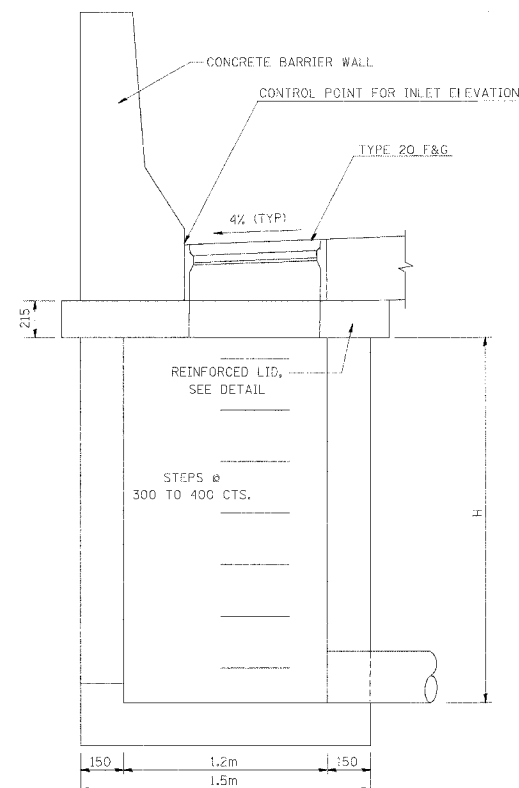
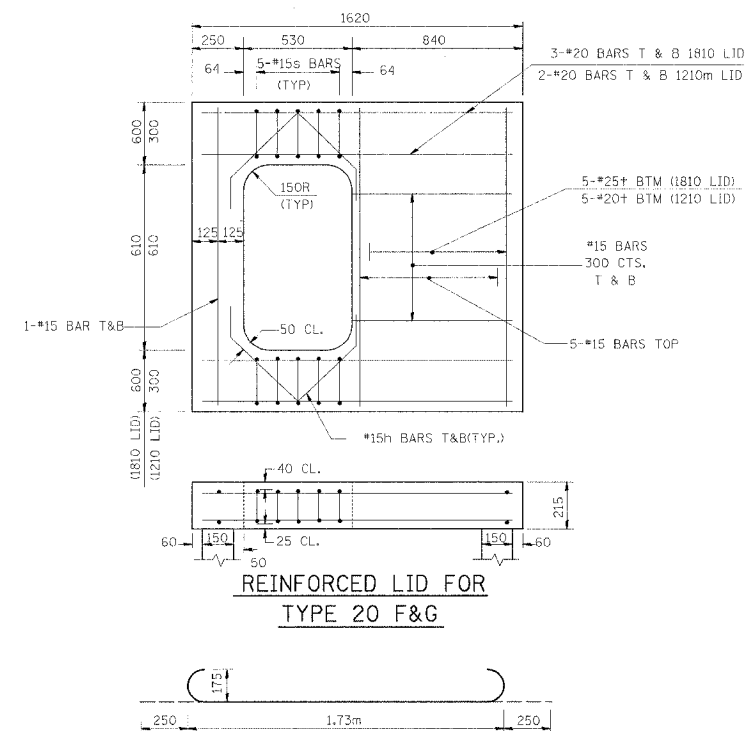


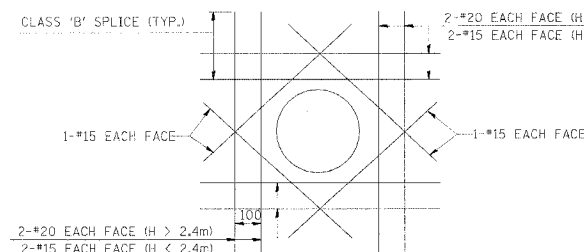
F. A. L. NO.	SECTION	COUNTY	TOTAL SHEETS	SHEET NO.
			1360	1068
STA.	TO STA.			
FED. ROAD DIST. NO.	LINE	FED. AID PROJECT		



DRAINAGE STRUCTURE WITH TYPE 20 F&G

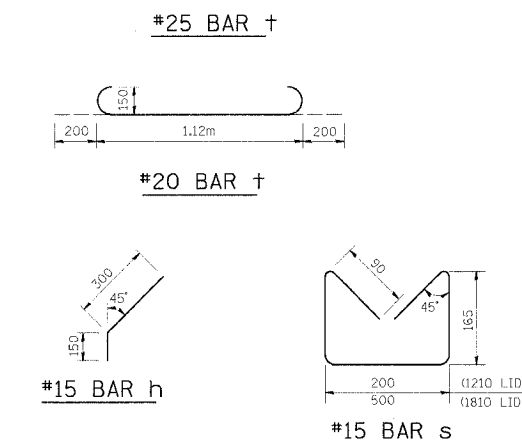


REINFORCED LID FOR TYPE 20 F&G



TYPICAL REINFORCEMENT DETAIL AROUND SIDEWALL OPENINGS (OPENING > 300)

WHERE CLASS 'B' SPLICE LENGTH ANCHORAGE IS NOT POSSIBLE, BARS SHOULD BE HOOKED.



BAR DETAILS

NOTES:

1. DRAINAGE STRUCTURE SHALL CONFORM TO HIGHWAY STANDARD 602101 EXCEPT AS NOTED.
2. REINFORCEMENT FOR STRUCTURE WALLS AND BASE SLAB SHALL BE IN ACCORDANCE WITH STD. 602101 FOR DEPTHS UP TO H=2.4m

REVISIONS	
NAME	DATE

ILLINOIS DEPARTMENT OF TRANSPORTATION  
 I-74 PROJECT STANDARD 602101-I74  
 DRAINAGE STRUCTURE  
 TYPE 1A & 1B  
 1.2m x 0.9m AND 1.2m X 1.5m  
 FOR H < 2.4m

SCALE: VERT. NONE  
 HORIZ. NONE  
 DATE 1/15/01

DRAWN BY MAL/CAD  
 CHECKED BY

Designer Notes:  
 1. THE 1.2 m x 0.9 m DRAINAGE STRUCTURE WILL BE PAID AS "DRAINAGE STRUCTURE, TYPE 1A WITH ONE TYPE 20 FRAME AND GRATE".  
 2. THE 1.2 m x 1.5 m DRAINAGE STRUCTURE WILL BE PAID AS "DRAINAGE STRUCTURE, TYPE 1B WITH ONE TYPE 20 FRAME AND GRATE".

602101-I74.dgn

... I-74-STD-602101-174.dgn 2/14/04 10:41:08 AM