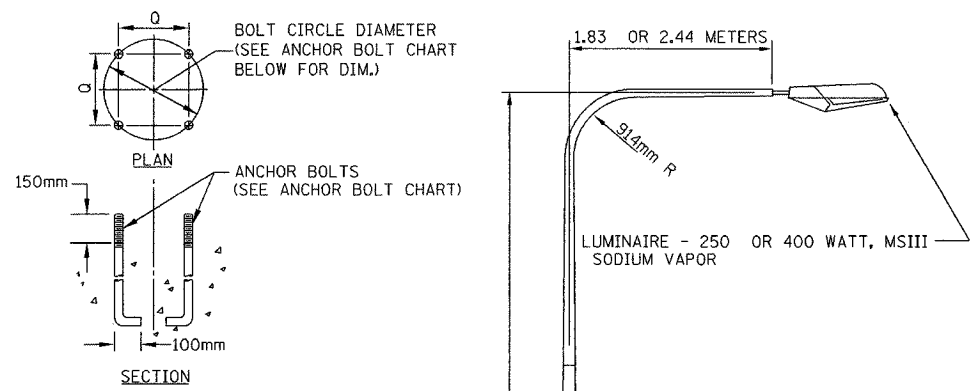
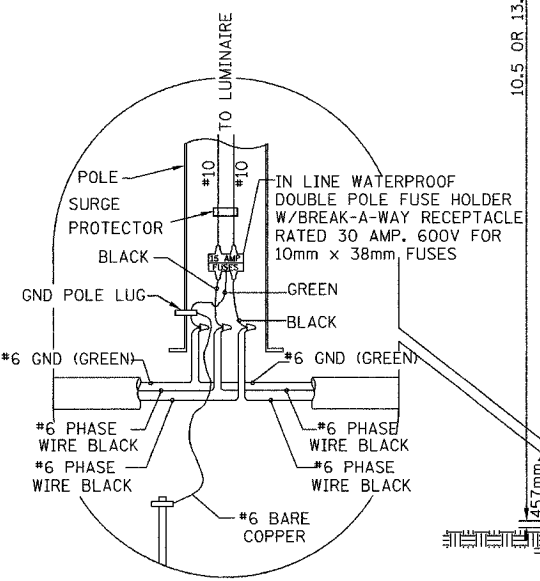


F.A.I. RTE.	SECTION	COUNTY	TOTAL SHEETS	SHEET NO.
74	(72-7)R-3	PEORIA	1360	1328
STA.		TO STA.		
FED. ROAD DIST. NO.	ILLINOIS FED. AID PROJECT			

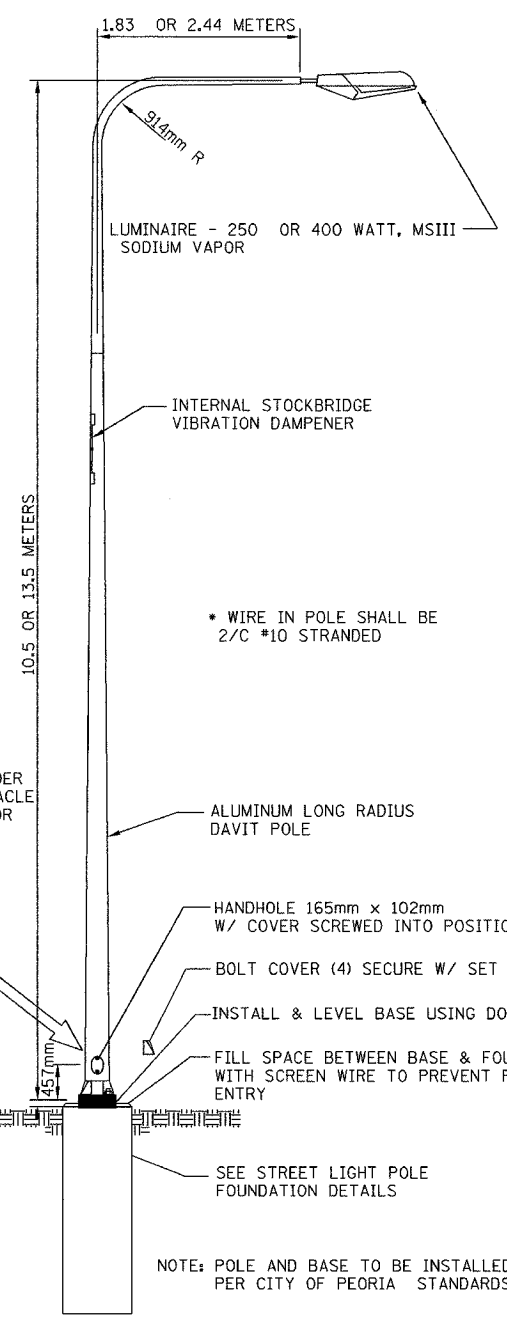
CONTRACT NO. 68200



ANCHOR BOLT DETAIL
N.T.S.



POLE WIRING DETAIL
N.T.S.

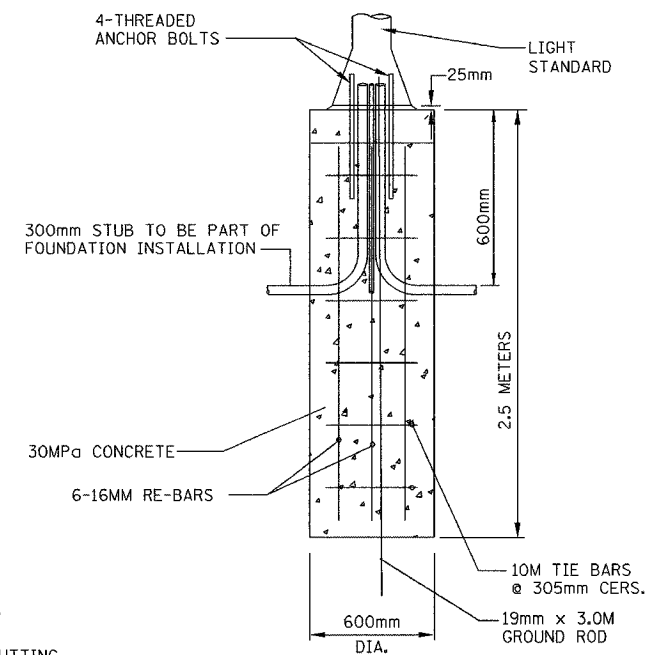
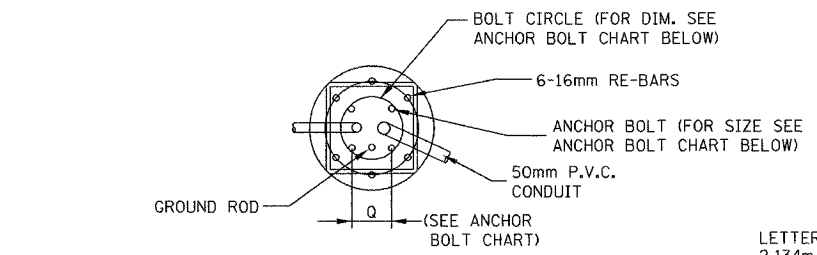


DAVIT POLE
N.T.S.

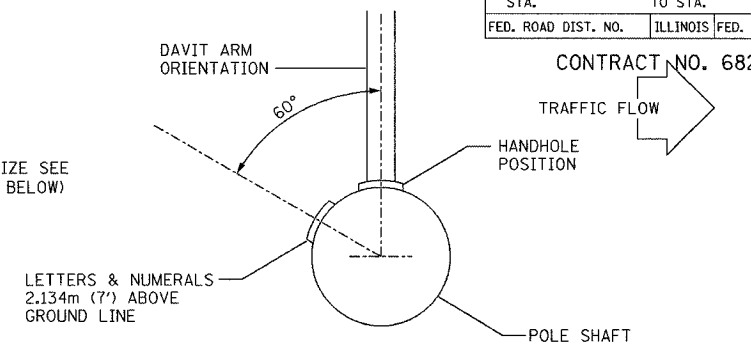
ANCHOR BOLT CHART (EXCLUDING RAMP POLES)

POLE TYPE	ANCHOR BOLT	Q	BOLT CIRCLE
10.5m DAVIT	25mm X 900mm	215mm	300mm
13.5m DAVIT	30mm X 1000mm	255mm	365mm

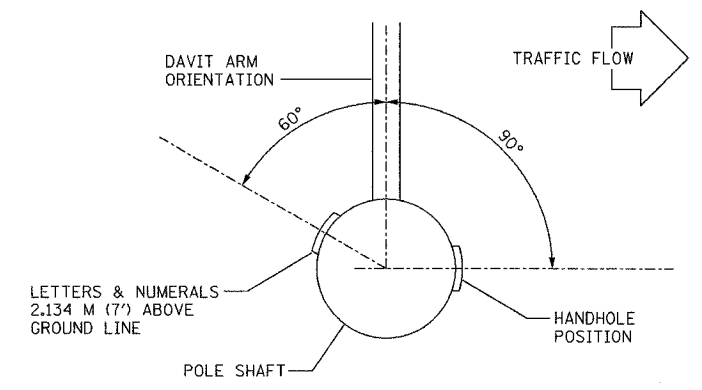
- NOTES: RE- ANCHOR BOLTS**
1. MANUFACTURER STANDARDS SHALL GOVERN OVER ABOVE ANCHOR BOLT DIMENSIONS.
 2. ANCHOR SYSTEMS SHALL BE SUPPLIED BY THE MANUFACTURER.
 3. REQ'D. ANCHOR BOLT PROJECTION SHALL BE VERIFIED BY CONTRACTOR PRIOR TO PLACING.



STREET LIGHT POLE FOUNDATION
N.T.S.



POSITION OF HANDHOLE AND POLE NUMBER FOR SINGLE MAST ARM POLES MOUNTED ON BRIDGE PARAPET OR BARRIER WALL



POSITION OF HANDHOLE AND POLE NUMBER FOR SINGLE MAST ARM POLES

LIGHTING SHEET 44 OF 64

REVISIONS	
NAME	DATE

ILLINOIS DEPARTMENT OF TRANSPORTATION

POLE DETAILS

DRAWN BY DJK
CHECKED BY MKR

DATE: 11/12/04

ab **alfred benesch & company**
CONSULTING ENGINEERS
205 NORTH MICHIGAN AVENUE, CHICAGO, ILLINOIS 60601

m:\proj\3573\lighting\4\contract\10\11000-7a_pole_detail.dgn

4:34:0 PM

11/12/2004