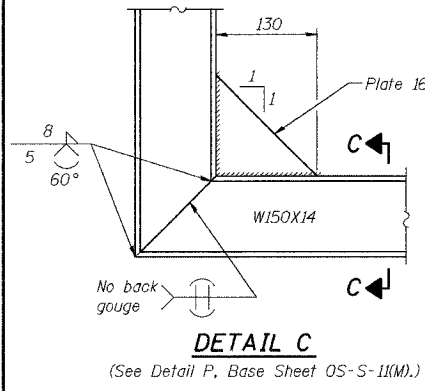
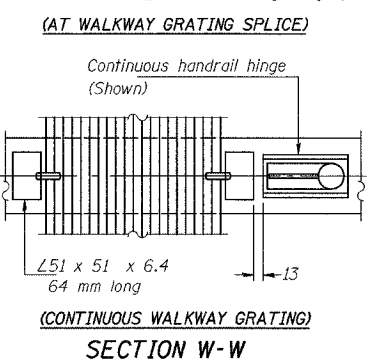
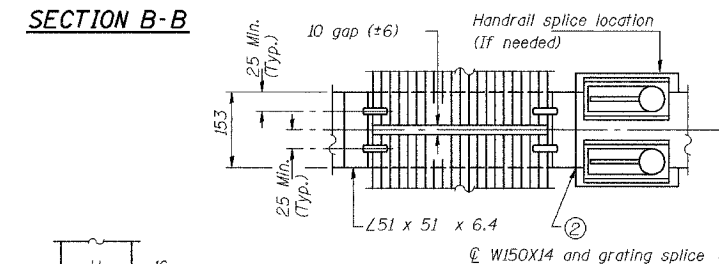
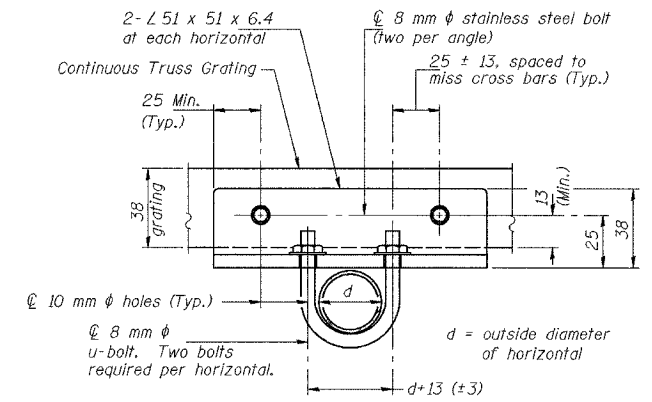
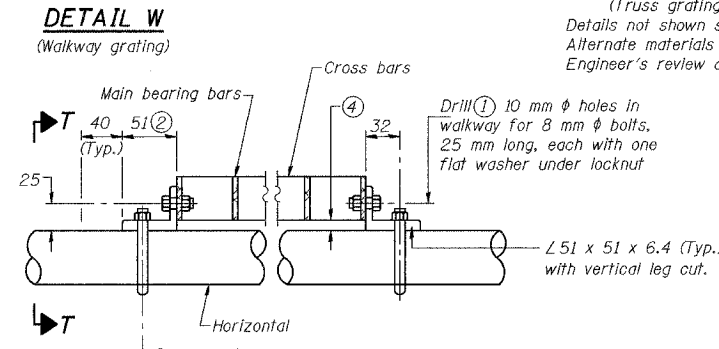
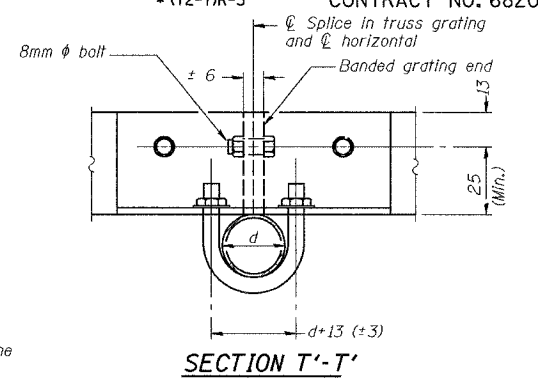
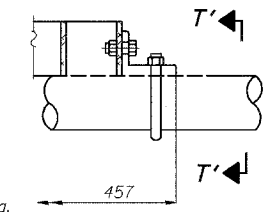
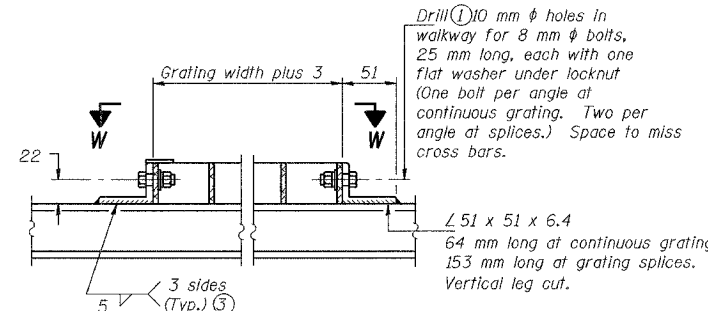
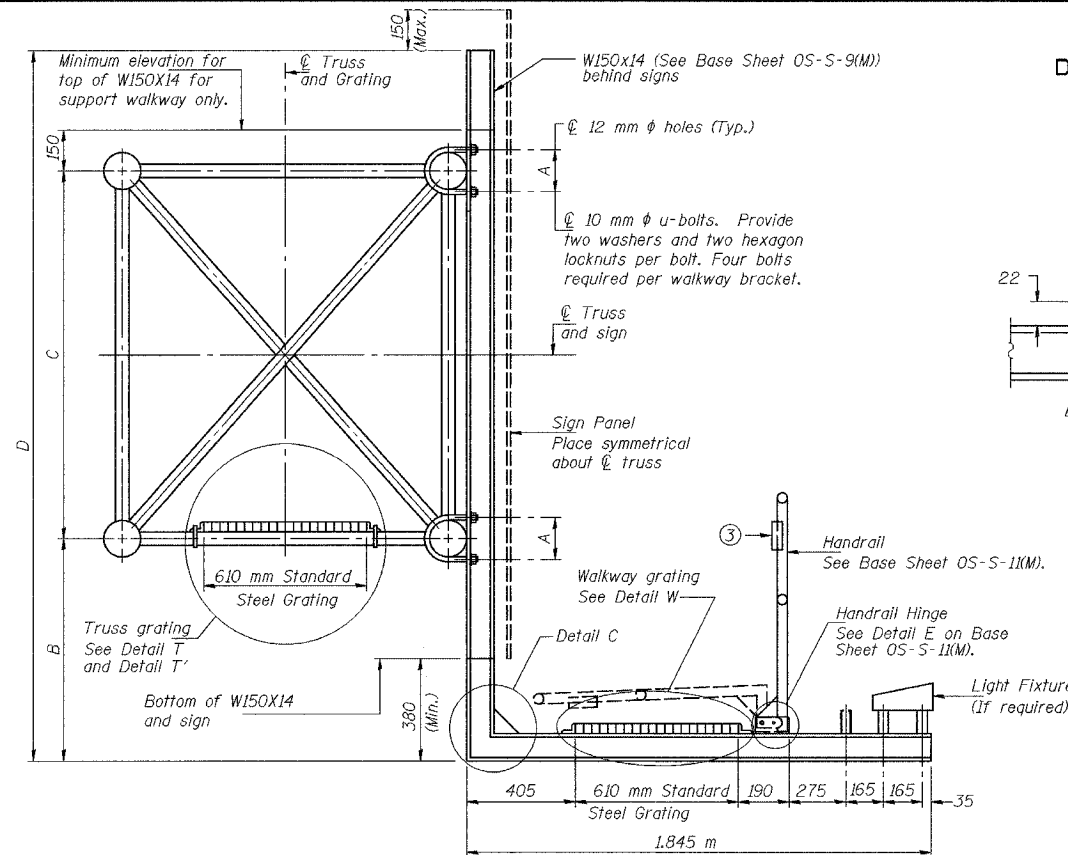


STATE OF ILLINOIS
DEPARTMENT OF TRANSPORTATION

ROUTE No.	SECTION	COUNTY	TOTAL SHEETS	SHEET NO.
FAI 74	*	PEORIA	1360	1305
STA.		TO STA.		
F.H.W.A. REGION		ILLINOIS	PROJECT	

* (72-7)R-3 CONTRACT NO. 68200



BARS SIZES FOR STANDARD STEEL GRATING

TRUSS GRATING Main bearing bars 5 mm x 38 mm on 30 mm centers.
Cross bars 5 mm x 38 mm on 102 mm centers.

WALKWAY GRATING Main bearing bars 5 mm x 38 mm on 30 mm centers.
Cross bars 5 mm x 38 mm on 102 mm centers.

Structure Number	Station	A (m)	B (m)	C (m)	D (m)
4S0721074L089.3	143+798.000	0.153	0.915	1.370	3.050
4S0721074L089.4	144+154.000	0.153	1.220	1.370	3.660
4S0721074L089.7	144+540.000	0.153	1.296	1.370	3.812

- Drilling holes in grating may be done in shop or field, based on Contractor's preference and subject to accurate alignment.
- If Handrail Joint present, weld angle to W150x14 and 6 mm extension bars. (See Base Sheet OS-S-11.)
- 3 mm x 13 mm x 50 mm welded to handrail posts to protect locations that contact grating.
- Tube to grating gap may vary from 0 to 13 mm (Max.) to align walkway, allow for camber, etc.
- The outside foundation, end supports, truss and signing are included in this contract. The median foundation was provided in a previous contract.

DESIGNED	RJW
CHECKED	KJN
DRAWN	RJW
CHECKED	KJN

EXAMINED
PASSED
ENGINEER OF STRUCTURAL SERVICES
ENGINEER OF BRIDGES AND STRUCTURES

NUMBER	REVISION	DATE

Walkway Grating, Walkway Supports, Handrail and Lighting are not included. Information shown on this sheet shall be used for Truss Grating and Sign Brackets only.

SIGNING SHEET 57 OF 83

**OVERHEAD SIGN STRUCTURES
STEEL WALKWAY DETAILS**

ILLINOIS DEPARTMENT OF TRANSPORTATION

SIGNING PLAN
W.B. I-74 STA. 143+798, S.N. 4S0721074L089.3
W.B. I-74 STA. 144+154, S.N. 4S0721074L089.4
W.B. I-74 STA. 144+540, S.N. 4S0721074L089.7

PEORIA CO., IL. DATE: II-II-04

M:\Proj\3513\Sign Structures\Contract 10\sp1001-7A\oh-sft.dgn

OS-S-10(M) 10/1/2001