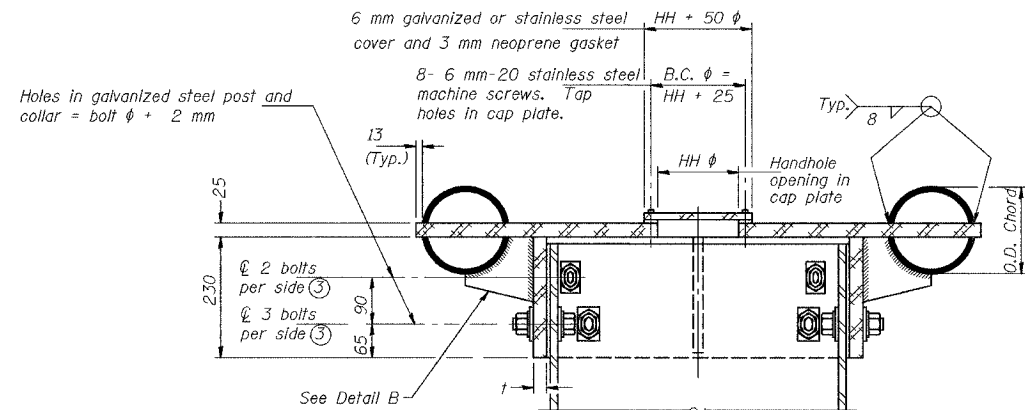


STATE OF ILLINOIS  
DEPARTMENT OF TRANSPORTATION

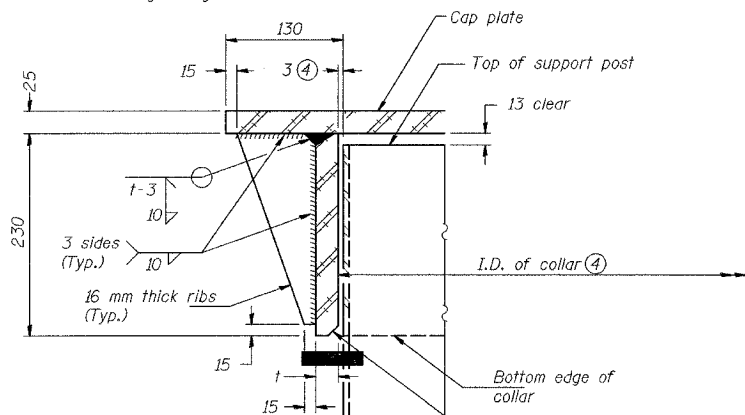
ROUTE No.	SECTION	COUNTY	TOTAL SHEETS	SHEET NO.
FAI 74	*	PEORIA	1360	1311
STA.	TO STA.			
F.I.L.A. REGION	ILLINOIS	PROJECT		

• (72-TJR-3) CONTRACT NO. 68200

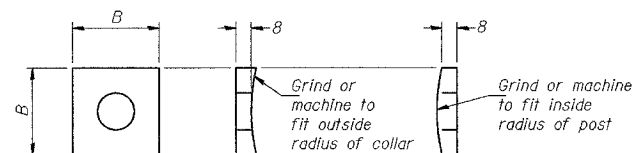


SECTION B-B

④ Collar I.D. shall equal O.D. of galvanized post plus 3 mm (+2 mm). Maximum gap between post and collar at any location shall be 3 mm before tightening bolts.



DETAIL A  
(Two locations)

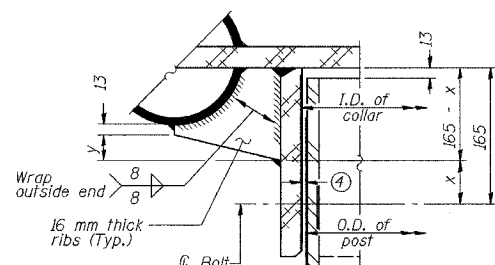


CONTOURED WASHERS

Bolt Dia.	Contoured Washers	
	Hole Dia.	B
22	25	70
25	28	75
32	35	82

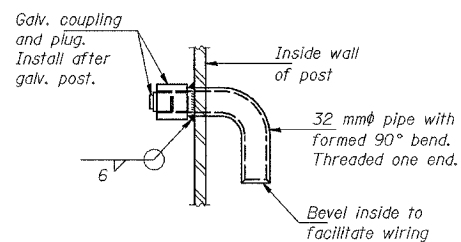
DESIGNED	RJW	2004
CHECKED	KJN	EXAMINED
DRAWN	RJW	PASSED
CHECKED	KJN	ENGINEER OF BRIDGES AND STRUCTURES

OSC-S-3(M) 10/1/2001

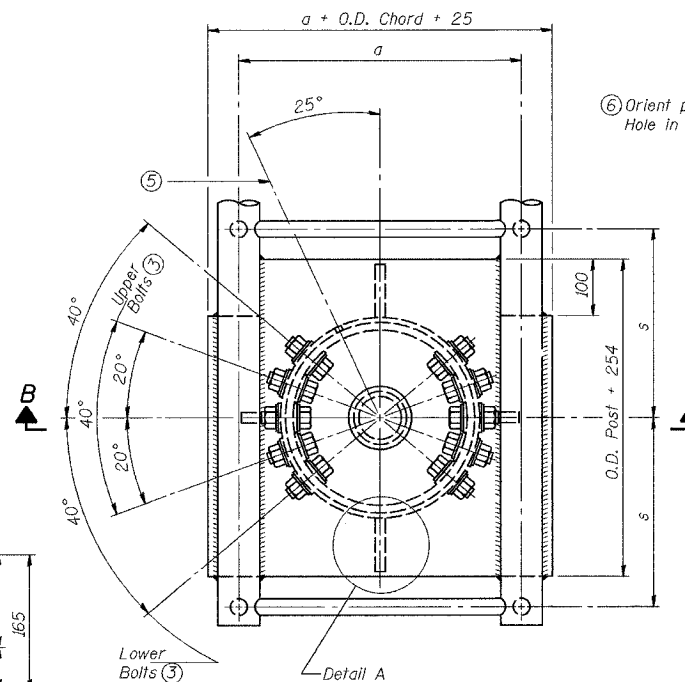


DETAIL B

Two locations  
(For details not shown, see Detail C)

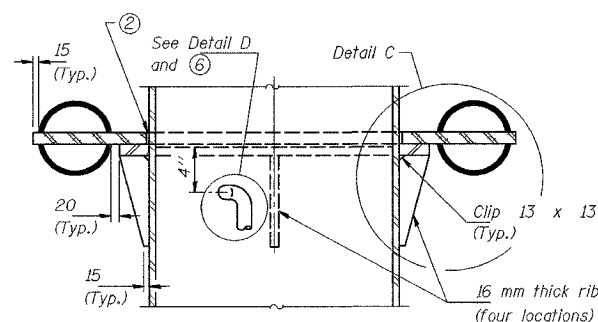


DETAIL D

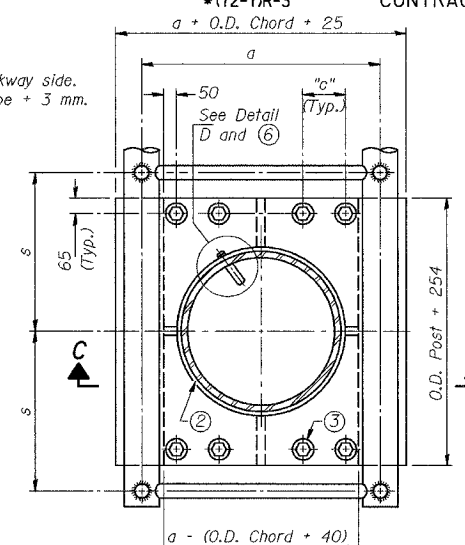


PLAN VIEW - TOP OF COLUMN

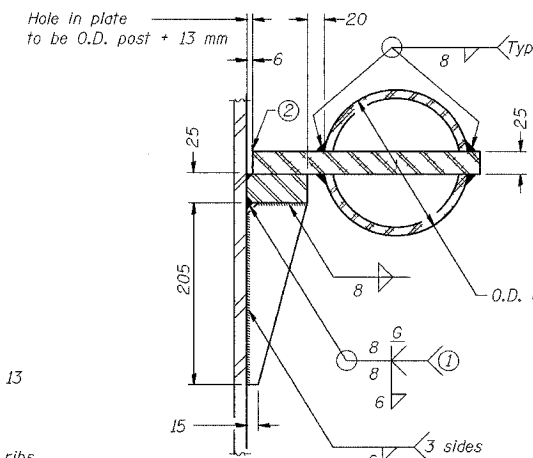
⑤ Optional full penetration weld in collar.  
(Two locations maximum....(180° apart)....X-ray or UT 100%)



SECTION C-C



SECTION THRU POST ABOVE LOWER CHORDS



DETAIL C

① Grind top if required to fully seat plate, repair damaged galvanizing before assembly.  
② After tightening lower connection bolts, fill gap with non-hardening, silicone caulk suitable for exterior exposure and acceptable to the Engineer. Cost is included in "Overhead Sign Structure-Cantilever...".

Truss Type	Post Size	Upper & Lower Connection Bolt Diameter ③	Lower Juncture Bolt Spacing Dimension "c" ③	Opening in Cap Plate "HH"	Collar Thickness (t)	Side Ribs	
						x	y
I-C-S	406φ (160 kg/m)	22	85	205	16	45	56
II-C-S	610φ (186 kg/m)	25	90	305	22	50	32
III-C-S (10.7 Max.)	610φ (254 kg/m)	25	90	305	22	50	25
III-C-S (>10.7 to 12.2)	610φ (254 kg/m)	32	90	305	22	50	25

③ Upper and lower connection bolts in collar and bolts at lower chord connection must be high strength with matching lock nuts. Lower connection bolts must have 2 flat washers each.

SIGNING SHEET 63 OF 83

CANTILEVER SIGN STRUCTURES  
JUNCTURE DETAILS  
STEEL TRUSS & STEEL POST

ILLINOIS DEPARTMENT OF TRANSPORTATION

SIGNING PLAN  
W.B. I-74 STA. 143+740  
S.N. 4C0721074L089.3

PEORIA CO., IL.

DATE: II-II-04

M:\Proj\3573\Sign Structures\Contract 10/sp1002-Tacan-sfl.dgn