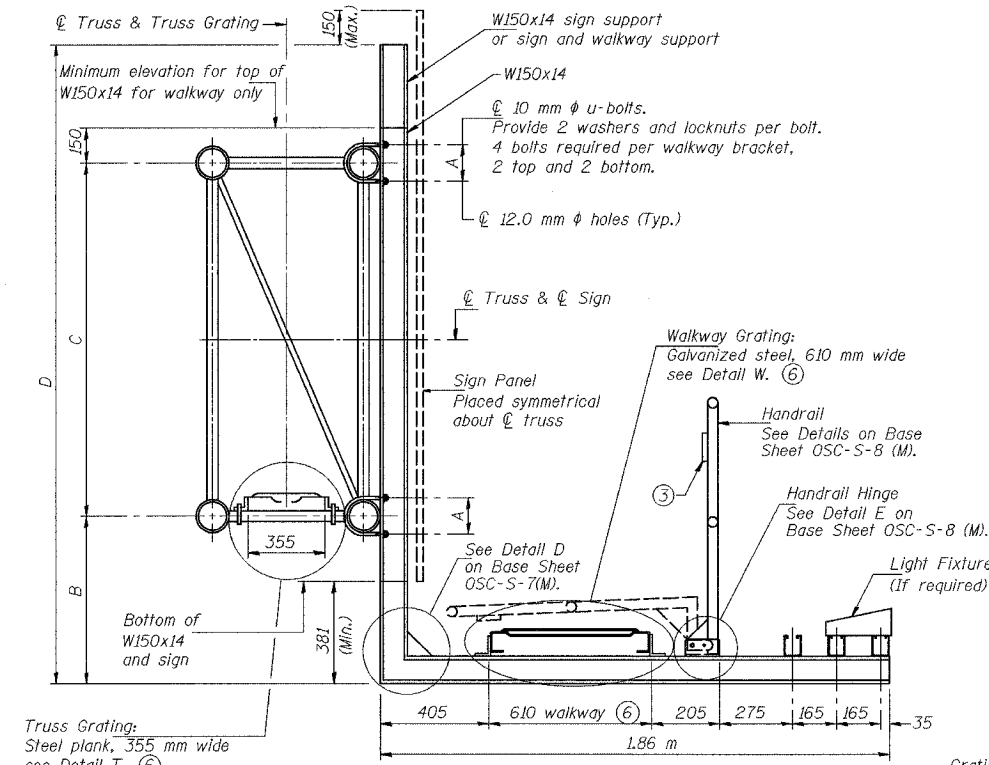
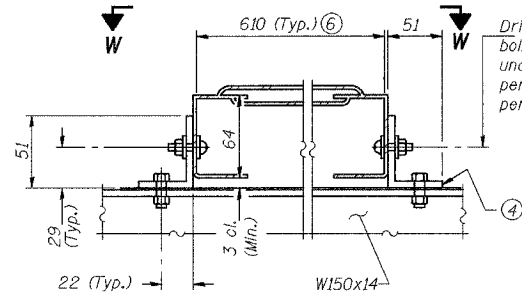


STATE OF ILLINOIS
DEPARTMENT OF TRANSPORTATION

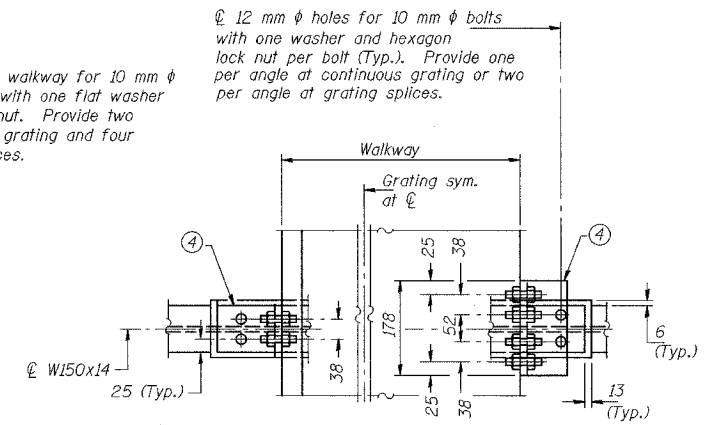
ROUTE NO.	SECTION	COUNTY	TOTAL SHEETS	SHEET NO.
FAI 74	*	PEORIA	1360	1316
STA.		TO STA.		
F.H.W.A. REGION		ILLINOIS	PROJECT	
*(72-7)R-3		CONTRACT NO. 68200		



SECTION B-B

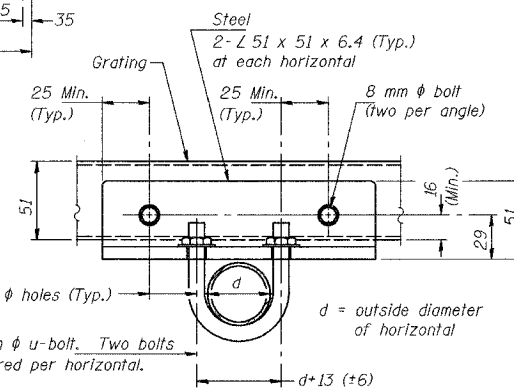


DETAIL W
GALVANIZED STEEL WALKWAY GRATING

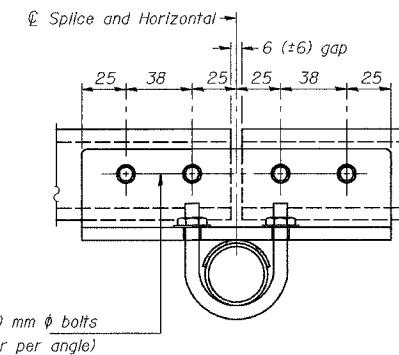


WALKWAY GRATING CONTINUOUS AT WALKWAY GRATING SPLICE

SECTION W-W



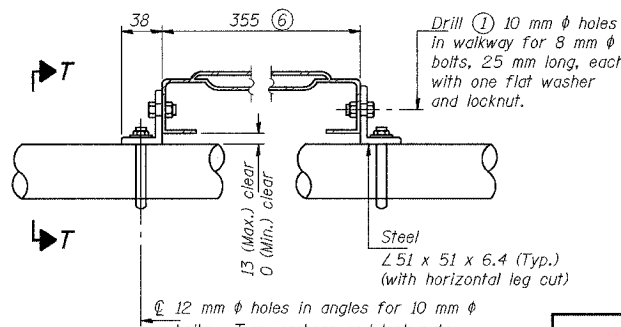
SECTION T-T
(Truss Grating Continuous)



SECTION T-T

(Truss Grating Splice)
Details not shown same as Section T-T.
Alternate splice details and locations may be used subject to the Engineer's review and approval.

- Drilling holes in grating may be done in shop or field, based on Contractor's preference and subject to accurate alignment.
- When truss grating must be spliced, use suggested details or other methods in accord with grating manufacturer's recommendation and subject to the Engineer's review and approval.
- 3 mm x 13 mm x 50 mm welded to handrail posts to protect locations that contact grating.
- Galvanized steel L 51 x 51 x 6.4, 89 mm long with continuous grating 190 mm long at grating splice.
- Details shown are considered equal alternatives to Standard Steel Walkway Details and may be substituted by Contractor at no charge in contract cost.
- Perforated or expanded metal grating providing a skid resistant (non-serrated) surface and capable of supporting a 2.22 kN concentrated load with a 1.83 m clear span. Walkway and truss grating dimensions are nominal and may vary (width ± 13 mm, depth ± 13 mm) based on available standard sizes. Cut ends of grating shall be free of burrs or hazardous projections and coated with Zinc-rich primer or equivalent.



DETAIL T
(Truss Grating at Horizontal)

Walkway Grating, Walkway Supports, Handrail and Lighting are not included. Information shown on this sheet shall be used for Truss Grating and Sign Supports only.

STEEL TRUSS GRATING

Structure Number	Station	A (m)	B (m)	C (m)	D (m)
4C0721074L089.3	143+740	0.178	0.456	1.680	2.441

DESIGNED	RJW	2004
CHECKED	KJN	EXAMINED
DRAWN	RJW	PASSED
CHECKED	KJN	

NUMBER	REVISION	DATE

OSC-S-7S(M) 10/1/2001

SIGNING SHEET 68 OF 83

CANTILEVER SIGN STRUCTURES
ALTERNATE WALKWAY DETAILS

ILLINOIS DEPARTMENT OF TRANSPORTATION

SIGNING PLAN
W.B. 1-74 STA. 143+740
S.N. 4C0721074L089.3

PEORIA CO., IL. DATE: 11-11-04

M:\Proj\3573\Sign Structures\Contract 10\sp\002-74can-sll.dgn