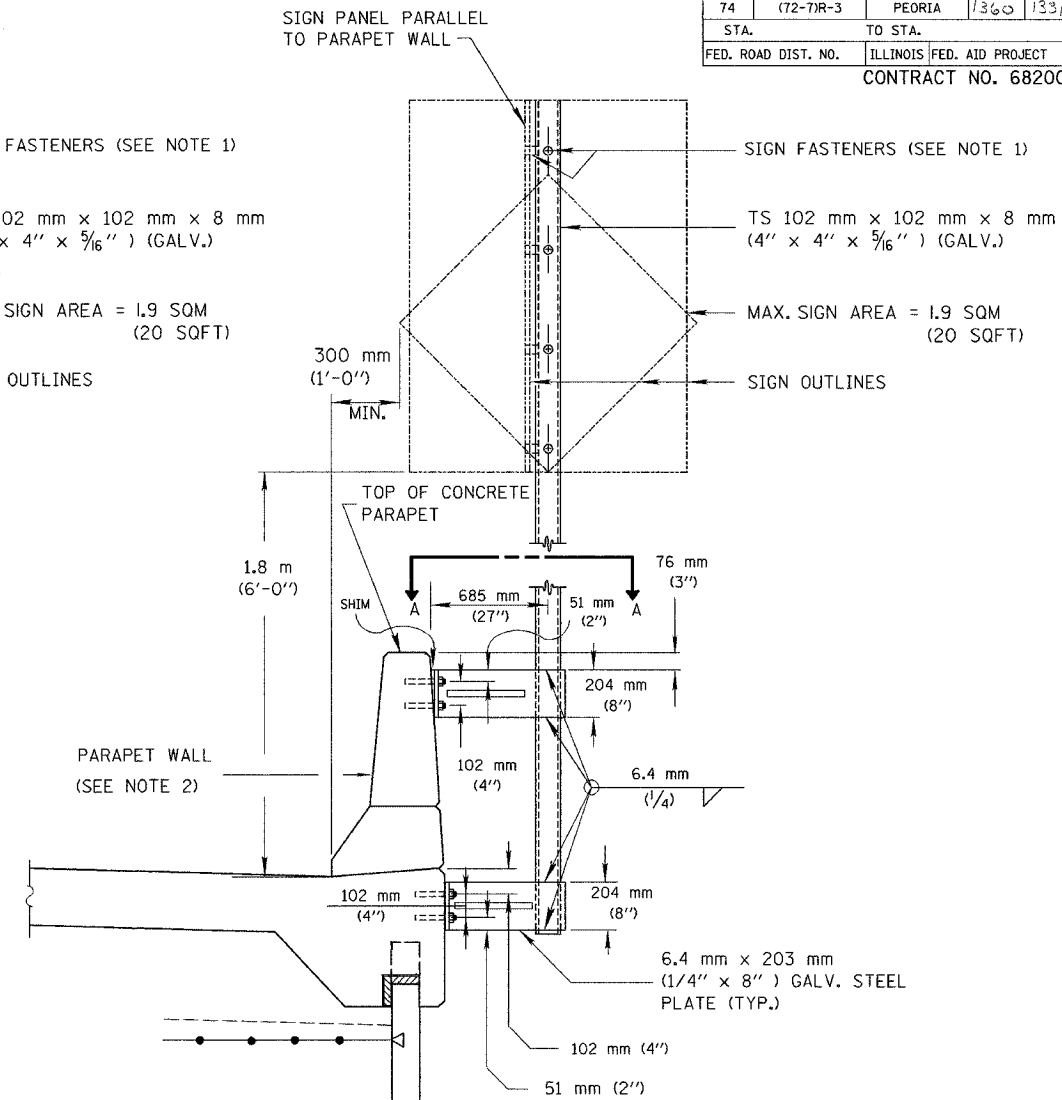
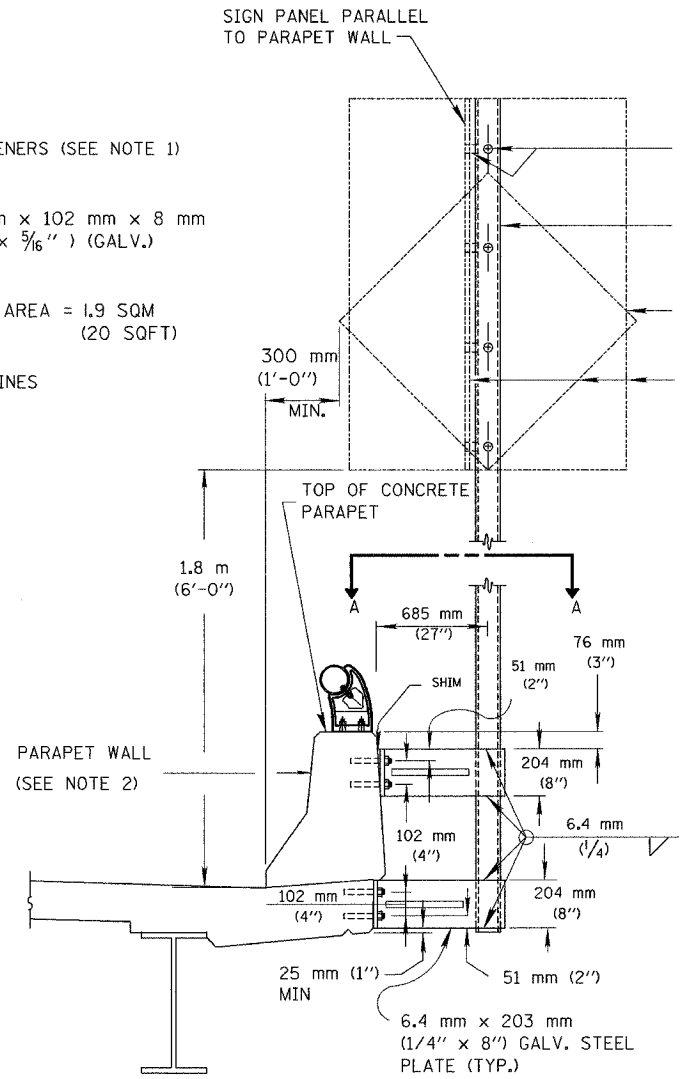
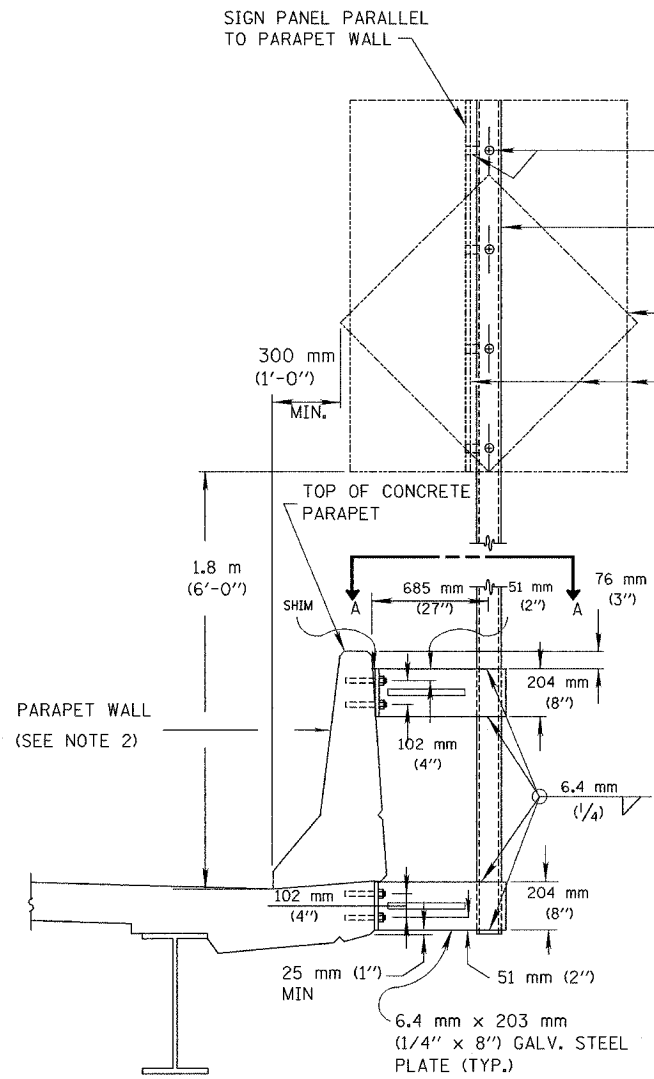


F.A.I. RTE.	SECTION	COUNTY	TOTAL SHEETS	SHEET NO.
74	(72-7)R-3	PEORIA	1360	1331
STA.		TO STA.		
FED. ROAD DIST. NO.		ILLINOIS FED. AID PROJECT		
CONTRACT NO. 68200				

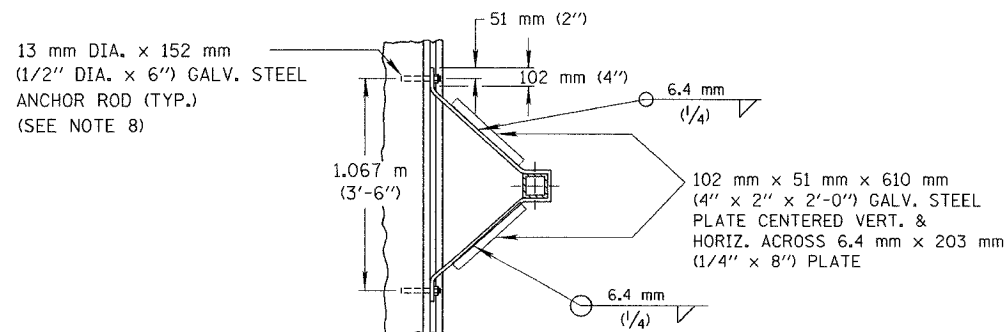


SIGN SUPPORT, PARAPET MOUNTED, TYPE 1

NOTE: SIGN SUPPORTS MOUNTED TO PARAPETS WITH RAILINGS SHALL BE CENTERED BEHIND A RAILING POST AND ANCHOR RODS SHALL BE SPACED TO MISS REINFORCEMENT BARS. SIGN SUPPORTS MOUNTED TO PARAPETS WITHOUT RAILINGS SHALL BE LOCATED TO ENSURE THAT THE ANCHOR RODS MISS PARAPET JOINTS BY 300 mm (12") MIN. AND REINFORCEMENT BARS.

NOTES

- SUPPORT CHANNELS SHALL BE REQUIRED FOR SIGN PANELS OVER 900 MM (36 FT) WIDE IN ACCORDANCE WITH SECTION 720 OF THE STANDARD SPECIFICATION AND HIGHWAY STANDARD 720001.
- PARAPET AND RAIL SHAPE MAY VARY.
- 3 MM FABRIC BEARING PAD TO BE PLACED BETWEEN THE GALV. STEEL PLATE AND THE PARAPET.
- SHIM AS REQUIRED TO PLUMB TO ACCOUNT FOR THE SLOPE ON THE BACK OF PARAPET.
- THE CONTRACTOR SHALL FIELD MEASURE THE PARAPET BEFORE FABRICATING SIGN SUPPORT AT EACH LOCATION.
- ALL WELDS TO BE CONTINUOUS UNLESS OTHERWISE SHOWN. ALL WELDING TO BE DONE IN ACCORDANCE WITH CURRENT AWS D1.1 AND D1.2 STRUCTURAL WELDING CODES (STEEL) AND THE STANDARD SPECIFICATIONS.
- ALL STRUCTURAL STEEL PLATES AND SHAPES SHALL CONFORM TO AASHTO M270M GR. 250.
- THREADED ANCHOR RODS SHALL CONFORM TO ASTM A307M WITH ONE PLATE WASHER AND LOCKNUT AND BE HOT DIP GALVANIZED PER AASHTO M232. THEY SHALL BE EITHER CAST INTO THE CONCRETE OR EPOXY GROUTED IN ACCORDANCE WITH SECTION 584 OF THE STANDARD SPECIFICATIONS.
- ALL STEEL PLATES AND SHAPES SHALL BE HOT DIP GALVANIZED AFTER FABRICATION IN ACCORDANCE WITH AASHTO M111. PAINTING IS NOT PERMITTED.
- SIGN FACING DIRECTION SHALL BE AS SHOWN ON SIGNING PLANS.



SECTION A-A

REVISIONS		ILLINOIS DEPARTMENT OF TRANSPORTATION I-74 PROJECT STANDARD 733002-I74 SIGN SUPPORT, PARAPET MOUNTED, TYPE 1
NAME	DATE	
SIGN FACING DIR	9/12/03	DRAWN BY CHECKED BY DATE 1/31/03

M:\Proj\3573\Sign Structures\Contract 10\sp1005-7aparmtd.dgn