

PROJECT ENGINEER: RICHARD DOTSON (309) 671-3455

LIAISON ENGINEER: CHRISTOPHER MAUSHARD (309) 671-3464

FOR INDEX OF SHEETS AND COMMITMENTS, SEE SHEET NO. 2
FOR LIST OF STANDARDS, SEE SHEET NO. 3
SEE TYPICAL SECTIONS FOR STRUCTURAL PAVEMENT DESIGN INFO

STATE OF ILLINOIS DEPARTMENT OF TRANSPORTATION DIVISION OF HIGHWAYS PLAN FOR PROPOSED HIGHWAY IMPROVEMENT FEDERAL AID INTERSTATE

DESIGN DESIGNATION

FAI ROUTE 74 (ML PAVEMENT) - 7625(25) INTERSTATE 38.28 (PCC-30)
FAI ROUTE 74 (RAMP PAVEMENT) - 1455(25) INTERSTATE 9.23 (PCC-30)
WAR MEMORIAL DRIVE - 3460(25) ARTERIAL 10.76 (COMP-20)
GLEN AVENUE - 3040(25) ARTERIAL 11.52 (COMP-20)

ACIM - ACBRI - 074 - 4(233)089

F.A.I. ROUTE 74 (I-74)
SECTION (72-7)R-3
PROJECT

PEORIA COUNTY
C-94-009-02

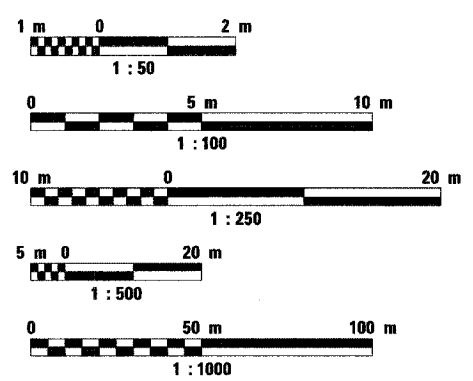
PROJECT ENDS
WAR MEMORIAL DRIVE
STA. 40 + 480.810
R 8 E

PROJECT BEGINS
WAR MEMORIAL DRIVE
STA. 38 + 965.067

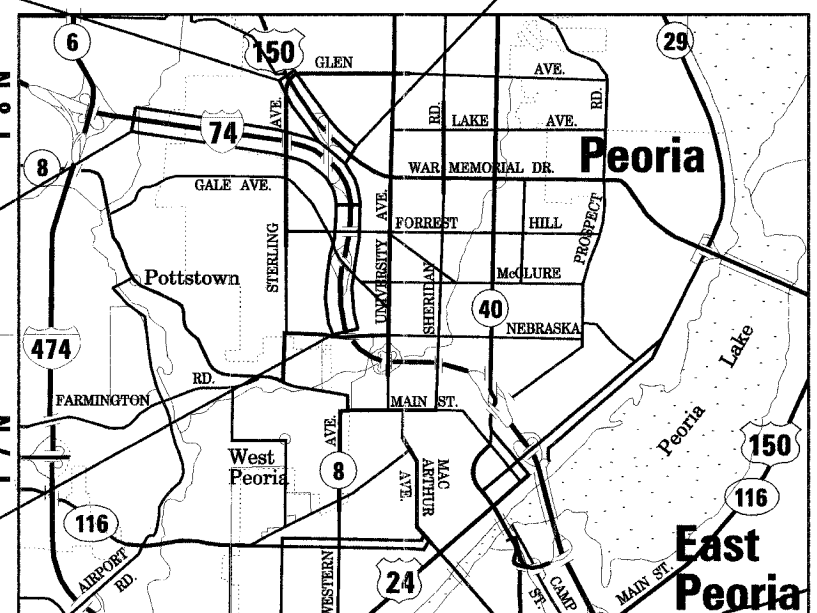
PROJECT BEGINS
WB STA. 140 + 902.744

PROJECT ENDS
WB STA. 146 + 410.000

METRIC RATIOS



FULL SIZE PLANS HAVE BEEN PREPARED USING STANDARD ENGINEERING SCALES. REDUCED SIZED PLANS WILL NOT CONFORM TO STANDARD SCALES. IN MAKING MEASUREMENTS ON REDUCED PLANS, THE ABOVE SCALES MAY BE USED.



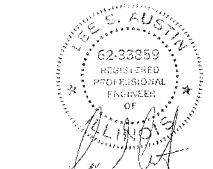
GROSS LENGTH OF IMPROVEMENT = 7.026 KILOMETERS (4.365 MILES)
NET LENGTH OF IMPROVEMENT = 7.024 KILOMETERS (4.364 MILES)
LATITUDE = 40°
LONGITUDE = 89°

CALL J.U.L.I.E. 48 HOURS BEFORE YOU DIG 1-800-892-0123

CATALOG NOS. - 031087-17D
CONTRACT NO. - 68200

BITUMINOUS SUPERPAVE
QC/QA BITUMINOUS
QC/QA CONCRETE

NPDES PERMIT
REQUIRED



LEE S. AUSTIN, P.E.
IL REGISTRATION # 062-033859
CLARK ENGINEERS, INC.
TEL. 309.676.8464
SHEETS 1-17, 879-993, 996-1179

12/20/04
DATE



MARK W. PETERSON
IL REGISTRATION # 062-044935
PARSONS TRANSPORTATION GROUP
TEL. 312.930.5100
SHEETS 19-320, 321-878

12/10/04
DATE



MARIE E. GLYNN
IL REGISTRATION # 062-054037
CH2M HILL
TEL. 773.693.3809
SHEETS 1249-1331

12/14/04
DATE



RICHARD E. STARK
IL REGISTRATION # 062-01811
ALFRED BENESCH & COMPANY
TEL. 312.565.0450
SHEETS 1180-1248

12/19/04
DATE

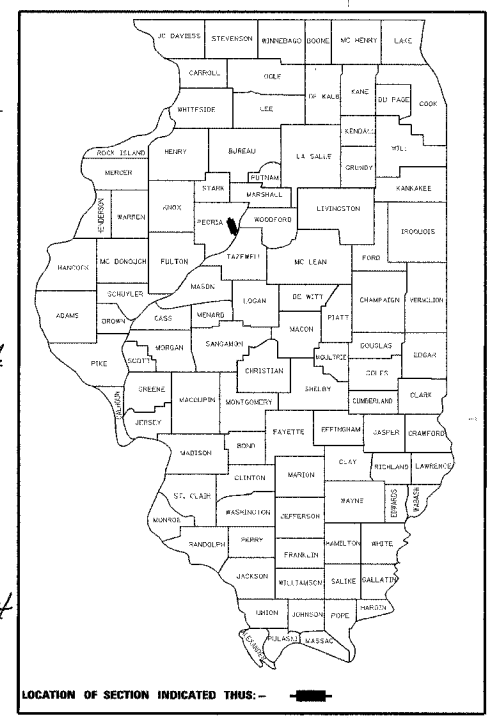


GARY F. RYLANDER
IL REGISTRATION # 062-051035
EDWARDS AND KELCEY
TEL. 312.251.3000
SHEETS 1332-1344

12/13/04
DATE

F.A.I. RTE.	SECTION	COUNTY	TOTAL SHEETS	SHEET NO.
74 (I-74)	(72-7)R-3	PEORIA	1360	1

168200
D-94-009-02



DESIGN FOR PLAN SET #4 HAS BEEN COMPLETED BY THE ILLINOIS DEPARTMENT OF TRANSPORTATION SHEETS 1345-1360



COVERTINE FIDIS
IL REGISTRATION # 35-2159
AMERICAN SURVEYING CONSULTANTS
TEL. 815.288.6231
SHEETS 321-330, 994, 995

12-8-04
DATE

STATE OF ILLINOIS
DEPARTMENT OF TRANSPORTATION
DIVISION OF HIGHWAYS

SUBMITTED 2-10 20 05

John E. Conway
DEPUTY DIRECTOR OF HIGHWAYS, REGION ENGINEER

20 _____
ENGINEER OF DESIGN AND ENVIRONMENT

20 _____
DIRECTOR OF HIGHWAYS, CHIEF ENGINEER

DESIGNED BY:



CLARK ENGINEERS, INC.
PROJECT ENGINEER: LEE S. AUSTIN

111 NE Jefferson Ave.
Peoria, Illinois 61602
Ph(309)676-8464
FAX(309)676-5445
DESIGN FIRM REGISTRATION
NO. 184-00871

PRINTED BY THE AUTHORITY OF THE STATE OF ILLINOIS

F.A.I. RTE.	SECTION	COUNTY	TOTAL SHEETS	SHEET NO.
74	(72-7)R-3	PEORIA	1360	2
STA.		TO STA.		
FED. ROAD DIST. NO.		ILLINOIS	FED. AID PROJECT	

SHT. NO. DESCRIPTION

- 1 COVER SHEET
- 2 INDEX OF SHEETS AND COMMITMENTS
- 3 HIGHWAY STANDARDS
- 4 - 5 GENERAL NOTES
- 6 - 17 SUMMARY OF QUANTITIES

SET #1 - PARSONS TRANSPORTATION GROUP

- 18 COVER SHEET
- 19 INDEX OF SHEETS, STANDARDS & COMMITMENTS
- 20 - 22 STATUS OF UTILITIES TO BE ADJUSTED
- 23 - 30A BILL OF MATERIALS
- 31 - 47 TYPICAL SECTIONS
- 48 - 104 SCHEDULE OF QUANTITIES
- 105 - 109 ALIGNMENT, TIES & BENCHMARKS
- 110 - 117 SCHEMATIC DRAWINGS
- 118 - 187 MAINTENANCE OF TRAFFIC
- 188 - 223 CONCEPTUAL TEMPORARY INFORMATIONAL SIGNING PLAN
- 224 - 259 ROADWAY PLANS
- 260 - 278 ROADWAY PROFILES
- 279 - 285 DITCH PROFILES
- 286 - 320 DRAINAGE AND UTILITY PLANS
- 321 - 330 ROW PLANS
- 331 - 336 INTERSECTION DETAILS
- 337 - 348 TRAFFIC SIGNAL PLANS
- 349 - 364 PAVEMENT MARKING DETAILS
- 365 - 376 GORE DETAILS
- 377 - 399 PAVEMENT JOINTS
- 400 - 419 DETAILS
- 420 - 639 STRUCTURAL DRAWINGS
- 640 - 851 CROSS SECTIONS
- 852 - 864 PROJECT STANDARDS
- 865 - 878 DISTRICT STANDARDS

SET #2 - CLARK ENGINEERS, INC.

- 879 COVER SHEET
- 880 INDEX OF SHEETS
- 881 HIGHWAY STANDARDS
- 882 - 885 TOTAL BILL OF MATERIALS
- 886 STATUS OF UTILITIES TO BE ADJUSTED
- 887 - 896 TYPICAL SECTIONS - MAINLINE I 74
- 897 - 907 TYPICAL SECTIONS - RAMPS
- 908 - 917 SCHEDULE OF QUANTITIES
- 918 - 921 REFERENCE TIES & BENCHMARKS
- 922 - 924 SCHEMATIC DRAWINGS
- 925 - 947 MAINTENANCE OF TRAFFIC
- 948 - 967 TEMPORARY INFORMATION SIGNING PLANS
- 968 - 977 ROADWAY PLANS
- 978 - 982 ROADWAY PROFILES
- 983 - 986 SUPERELEVATION TRANSITIONS
- 987 - 991 DRAINAGE AND UTILITY PLANS
- 992 DRAINAGE PROFILES
- 993 INTERCHANGE MATCHLINE PLANS
- 994 - 995 RIGHT OF WAY PLANS
- 996 - 1000 PERMANENT PAVEMENT MARKING PLANS
- 1001 - 1021 DETAILS & MEDIAN BARRIER PLANS
- * 1022 - 1059 STRUCTURAL PLANS (SHEET NO. 1049 NOT USED THIS PLAN SET) *
- 1060 - 1074 PROJECT STANDARDS
- 1075 - 1084 DISTRICT STANDARDS
- 1085 - 1179 CROSS SECTIONS

SET #3 - ALFRED BENESCH BENESCH & COMPANY

- 1180 COVER SHEET
- 1181 INDEX OF SHEETS
- 1182 - 1184 SET 3 TOTAL BILL OF MATERIALS

SHT. NO. DESCRIPTION

LIGHTING

- 1185 INDEX OF SHEETS, GENERAL ELECTRICAL AND CONSTRUCTION NOTES
- 1186 BILL OF MATERIALS
- 1187 ELECTRICAL LEGEND
- 1188 LIGHTING CRITERIA AND ABBREVIATIONS
- 1189 - 1190 POLE AND LUMINAIRE SCHEDULE
- 1191 PROPOSED LIGHTING PLANS OVERVIEW SHEET
- 1192 - 1206 PROPOSED LIGHTING PLANS, I-74 AND WAR MEMORIAL DR.
- 1207 BRIDGE LIGHTING PLANS, RAMP A-3 OVER RAMP B-5
- 1208 - 1209 BRIDGE LIGHTING PLANS, RAMPS B-1 AND B-4 OVER I-74
- 1210 BRIDGE LIGHTING PLANS, RAMPS B-3 AND B-5 OVER WAR MEMORIAL DR.
- 1211 - 1215 WIRING DIAGRAM
- 1216 - 1217 LIGHTING CONTROLLER WIRING DIAGRAM
- 1218 - 1222 REMOVAL PLAN I-74/WAR MEMORIAL DR.
- 1223 ELECTRIC SERVICE INSTALLATION AND TRENCH DETAIL
- 1224 PROPOSED LIGHTING CONTROLLER WIRING AND DETAILS TYPE CB-RCS-200
- 1225 100 AMP LIGHTING CONTROLLER WIRING AND DETAIL
- 1226 - 1227 LIGHTING DETAILS
- 1228 POLE DETAILS
- 1229 MISCELLANEOUS HIGH MAST POLE AND LUMINAIRE DETAILS
- 1230 MISCELLANEOUS UNDERPASS LIGHTING DETAILS
- 1231 MISCELLANEOUS LIGHTING DETAILS TEMPORARY LIGHTING
- 1232 MISCELLANEOUS LIGHTING DETAILS
- 1233 LIGHT TOWER FOUNDATION (TYPE 1-MEDIAN)
- 1234 - 1235 LIGHT TOWER FOUNDATION (TYPE 2 IN-FIELD)
- 1236 LIGHT TOWER FOUNDATION NOTES AND ANCHOR BOLT DETAILS
- 1237 - 1248 LIGHT TOWER FOUNDATION SOIL BORINGS

SIGNING

- 1249 INDEX OF SHEETS AND TOTAL BILL OF MATERIALS
- 1250 - 1261 BILL OF MATERIALS-REGULATORY AND WARNING SIGNS
- 1262 - 1265 BILL OF MATERIALS AND DETAIL DRAWINGS-GROUND MOUNTED SIGNS
- 1266 BILL OF MATERIALS-OVERHEAD SIGNS
- 1267 - 1287 PERMANENT SIGNING PLAN
- 1288 - 1296 GUIDE SIGN PANEL DETAILS AND REGULATORY AND WARNING SIGN DETAILS
- 1297 - 1307 OVERHEAD SIGN STRUCTURES
- 1308 - 1327 CANTILEVER SIGN STRUCTURES
- 1328 - 1330 SOIL BORING LOGS
- 1331 SIGN SUPPORT, PARAPET MOUNTED, TYPE 1

INTELLIGENT TRANSPORTATION SYSTEM

- 1332 - 1333 INDEX OF SHEETS, COMMITMENTS, GENERAL NOTES, UTILITY/AGENCY CONTRACTS
- 1334 BILL OF MATERIALS
- 1335 LEGEND
- 1336 SYSTEM COMPONENT MAP
- 1337 - 1340 MICROWAVE DETECTOR SUBSYSTEM
- 1341 - 1342 FIBER OPTIC COMMUNICATIONS SUBSYSTEM
- 1343 - 1344 MISCELLANEOUS DETAILS

SET #4 - ILLINOIS DEPARTMENT OF TRANSPORTATION

- 1345 COVER SHEET
- 1346 LISTING OF STANDARDS
- 1347 BILL OF MATERIALS
- 1348 - 1349 TYPICAL SECTIONS
- 1350 - 1351 SCHEDULE OF QUANTITIES
- 1352 MAINTENANCE OF TRAFFIC
- 1353 - 1355 ROADWAY PLANS
- 1356 BUTT JOINT (SPECIAL) DETAIL
- 1357 - 1360 DISTRICT CADD STANDARDS

COMMITMENTS

JOINT AGREEMENT WITH THE CITY OF PEORIA. A COPY OF THE LETTER OF AGREEMENT IS ON FILE AT THE RESIDENT ENGINEERS FIELD OFFICE.

PARCEL NO. 415P268TE - COMMITMENT TO THE MCDONALDS AND WALGREENS PHARMACY BUSINESSES LOCATED AT THE COMMERCIAL ENTRANCE ON SCENIC DRIVE (STA. 10+109.196 LT, SCENIC BASELINE) TO NOT DISTURB THE EXISTING ENTRANCE AND EXIT SIGNS, THE WALGREENS PHARMACY SIGN, AND THE MCDONALDS SIGN LOCATED WITHIN THE TEMPORARY EASEMENT LIMITS DURING CONSTRUCTION. A COPY OF THE COMMITMENT IS ON FILE IN THE RESIDENT ENGINEERS OFFICE.

COMMITMENTS ARE NOT TO BE ALTERED WITHOUT THE WRITTEN APPROVAL OF ALL PARTIES TO WHICH THE COMMITMENT WAS MADE.



REVISIONS		ILLINOIS DEPARTMENT OF TRANSPORTATION
NAME	DATE	
		INDEX OF SHEETS AND COMMITMENTS

DATE 11/23/04
DRAWN BY RDY
CHECKED BY LSA

HIGHWAY STANDARDS

STANDARD NO.	DESCRIPTION
000001	STANDARD SYMBOLS, ABBREVIATIONS AND PATTERNS
280001	TEMPORARY EROSION CONTROL SYSTEM
420001	PAVEMENT JOINTS
420206	ENTRANCE RAMP TERMINAL - JOINTED PCC RAMP PAVEMENT ADJACENT TO CRC MAINLINE PAVEMENT
420306	EXIT RAMP TERMINAL - JOINTED PCC RAMP PAVEMENT ADJACENT TO CRC MAINLINE PAVEMENT
420701	PAVEMENT FABRIC
442101	CLASS B PATCHES
515001	NAME PLATE FOR BRIDGES
542301	PRECAST REINFORCED CONCRETE FLARED END SECTION
542311	GRATING FOR CONCRETE FLARED END SECTION FOR 600 mm (24") THRU 1350 mm (54") PIPE
601101	CONCRETE HEADWALL FOR PIPE DRAINS
602101	DRAINAGE STRUCTURES, TYPE 1, 2 & 3
602301	INLET - TYPE A
602306	INLET - TYPE B
602401	MANHOLE, TYPE A
602601	PRECAST REINFORCED CONCRETE FLAT SLAB TOP
602701	CAST IRON STEPS
604001	FRAME AND LIDS, TYPE 1
604041	FRAME AND GRATE TYPE 9
604071	FRAME AND GRATE TYPE 20
604081	FRAMES AND GRATES TYPE 22
604101	MEDIAN INLET FOR 600 mm (24") R.C.P.
604106	MEDIAN INLET FOR 900 mm (36") R.C.P.
606001	CONCRETE CURB TYPE B AND COMBINATION CONCRETE CURB AND GUTTER
606301	PC CONCRETE ISLANDS AND MEDIANS
606401	PAVED DITCH
609001	BRIDGE APPROACH SHOULDER PAVEMENT AND DRAIN
630001	STEEL PLATE BEAM GUARDRAIL
630301	SHOULDER WIDENING FOR TYPE 1 (SPECIAL) GUARDRAILS TERMINALS
631011	TRAFFIC BARRIER TERMINAL, TYPE 2
631031	TRAFFIC BARRIER TERMINAL, TYPE 6
635001	DELINEATORS
635006	REFLECTOR AND TERMINAL MARKER PLACEMENT
635011	REFLECTOR MARKER AND MOUNTING DETAILS
664001	CHAIN LINK FENCE
666001	RIGHT-OF-WAY MARKERS
701101	OFF-ROAD OPER., MULTILANE LESS THAN 4.5 m AWAY FOR SPEEDS > 45 MPH
701106	OFF-ROAD OPER., MULTILANE MORE THAN 4.5 m (15') AWAY FOR SPEEDS > 45 MPH
701400	APPROACH TO LANE CLOSURE, FREEWAY/EXPRESSWAY
701401	LANE CLOSURE MULTILANE FOR SPEEDS > 45 MPH
701406	LANE CLOSURE MULTILANE DAY OPERATIONS ONLY FOR SPEEDS > 45 MPH
701411	LANE CLOSURE MULTILANE AT ENTRANCE OR EXIT RAMP FOR SPEEDS > 45 MPH
701416	LANE CLOSURE, FREEWAY/EXPRESSWAY WITH CROSSOVER AND BARRIER
701421	LANE CLOSURE, MULTILANE, DAY OPERATIONS ONLY, FOR SPEEDS > 45 MPH TO 55 MPH
701426	LANE CLOSURE MULTILANE, INTERMITTENT OR MOVING OPERATIONS, FOR SPEEDS > 45 MPH
701446	TWO LANE CLOSURE FREEWAY/EXPRESSWAY
701501	LANE CLOSURE, 2L 2W, DAY OR NIGHT OPERATIONS, FOR SPEEDS < 45 MPH
701601	LANE CLOSURE MULTILANE, 1W OR 2W, WITH NON TRAVERSABLE MEDIAN, FOR SPEEDS < 45 MPH
701701	URBAN LANE CLOSURE, MULTILANE INTERSECTION
702001	TRAFFIC CONTROL DEVICES
704001	TEMPORARY CONCRETE BARRIER
720001	SIGN PANEL MOUNTING DETAILS
720006	SIGN PANEL ERECTION DETAILS
720011	METAL POSTS (SIGNS, MARKERS & DELINEATORS)
720016	MAST ARM MOUNTED STREET NAME SIGNS
720021	SIGN PANELS, EXTRUDED ALUMINUM TYPE
729001	APPLICATION OF TYPE A & B METAL POSTS (FOR SIGNS & MARKERS)
780001	TYPICAL PAVEMENT MARKINGS
781001	TYPICAL APPLICATIONS RAISED REFLECTIVE PAVEMENT MARKERS
805001	ELECTRICAL SERVICE INSTALLATION DETAILS
814001	CONCRETE HANDHOLES

F.A.I. RTE.	SECTION	COUNTY	TOTAL SHEETS	SHEET NO.
74	(72-7)R-3	PEORIA	1360	3
STA.		TO STA.		
FED. ROAD DIST. NO.		ILLINOIS FED. AID PROJECT		

REVISIONS	
NAME	DATE

ILLINOIS DEPARTMENT OF TRANSPORTATION

HIGHWAY STANDARDS

DRAWN BY RDY
CHECKED BY LSA

DATE 11/23/04



F.A.I. RTE.	SECTION	COUNTY	TOTAL SHEETS	SHEET NO.
74	(72-7)R-3	PEORIA	1360	5
STA.		TO STA.		
FED. ROAD DIST. NO.		ILLINOIS FED. AID PROJECT		

PROJECT SPECIFIC NOTES

FINAL FINISH ON PORTLAND CEMENT CONCRETE PAVEMENT

A Type "A" final finish shall be provided on I-74 mainline and ramp PCC pavements.

A Type "B" final finish, obtained in accordance with Article 420.11(e)(2) of the Standard Specifications, shall be provided on off system street PCC pavements.

ACCESS CONTROL FENCE

The Contractor shall temporarily re-erect access control fences unless construction operations are on going and workers are present until the permanent access control fence is installed. This work including additional temporary fence required to maintain the integrity of the access control fence shall be included in the cost of permanent fence.

STRUCTURAL SHOP DRAWING REVIEW

The review of structural component shop drawings shall be as outlined in the IDOT Memo to all District Engineers dated May 30, 2001 titled, "Shop Drawing Procedures", except as noted herein. Structural component shop drawings, except MSE walls, shall be submitted by the fabricator to the Design Consultant for review, as outlined in the above noted memo, with a concurrent copy of the transmittal letter sent for information to the Construction Engineer responsible for the project and to the District Implementation Engineer.

Design and shop drawings for MSE walls and tieback anchors shall be sent by the Fabricator directly to the Bureau of Bridges & Structures (BB&S) as required per the special provisions. The Bureau of Bridges & Structures will coordinate the review and approval of these shop drawings. All hybrid type walls (walls that might have types other than MSE in the same wall) shall be submitted directly to the BB&S for review. Concurrent copy of the transmittal letter shall be submitted to the Construction Engineer and the District Implementation Engineer. The Bureau of Bridges & Structures will distribute copies of the approved shop drawings to the District, fabricator and the Construction Engineer.

Structure Number	Design Consultant (For Review)	Construction Engineer (For Information)
072-2005 072-8618 072-8619 Precast Drainage Structures	Clark Engineers, Inc. 111 NE Jefferson Avenue Peoria, Illinois 61602-1227 Attn: Mr. Lee Austin 309-676-8464	
Sign Structures	Alfred Benesch and Company 205 N. Michigan Avenue Suite 2400 Chicago, Illinois 60601 Attn: Mr. David Morrill 312-565-0450	
072-0172 072-0183 072-0190 072-2030 072-2032 072-8556 072-8557 072-8558 072-8559 072-8560 072-8561	Parsons Transportation Group 10 South Riverside Plaza Suite 400 Chicago, Illinois 60606 Attn: Mr. Mark Peterson (312) 930-5100	

AESTHETICS ELEMENTS SHOP DRAWING REVIEW

Aesthetics element shop drawings shall be submitted by the fabricator to the Design Consultant and/or to the Aesthetic Designer for review as denoted in the table below. A concurrent copy of the transmittal letter shall be submitted to the Construction Engineer and to the District Implementation Engineer.

The following table outlines the responsibilities for review of the shop drawings as they pertain to the Aesthetic Elements.

Aesthetics Designer	Design Consultant Set 1	Design Consultant Set 2	Design Consultant Set 3	Construction Engineer
Alfred Benesch and Company 205 N. Michigan Avenue Suite 2400 Chicago, Illinois 60601 Attn: Mr. David Morrill 312-565-0450	Parsons Transportation Group 10 South Riverside Plaza Suite 400 Chicago, Illinois 60606 Attn: Mr. Mark Peterson 312-930-5100	Clark Engineers, Inc. 111 NE Jefferson Avenue Peoria, Illinois 61602-1227 Attn: Mr. Lee Austin 309-676-8464	Alfred Benesch and Company 205 N. Michigan Avenue Suite 2400 Chicago, Illinois 60601 Attn: Mr. David Morrill 312-565-0450	

Item	Aesthetics Designer	Design Consultant	Comments
Bollards and Bollard Luminaries (finish samples, calculations, shop drawings and mockups) including install Bollard Procedure and Elliptical Steel Angles	X		The General Contractors shall submit Bollard installation method and procedure shop drawings for approval if their proposed installation method and procedure deviates from the fabricator's approved method.
Paint over Galvanizing		X	Design Consultant to ensure that the General Note on the shop Drawings reflect that the contractors Paint over Galvanized process meets the requirements of the contract.
Formliners (Limestone, Fin & Grid and Parapet)	X		
Fence and Fence Coating System (Type 1, 2 & 3)	X	X	Aesthetics Designer will verify the coating, connections and Fence only. Designer preparing the wall/parapet plans will review for coordinating the fence layout with the wall and bridge parapet. Concurrent copies to the Designer and Aesthetics Designer.
Railings		X	The shop drawings shall be sent to the design consultant who prepared the structure plans.
Scuppers		X	The shop drawings shall be sent to the design consultant who prepared the structure plans.
Noise Abatement Walls	X	X	The facing should be reviewed by Aesthetics Designer. The wall details shall be reviewed by the retaining wall Designer.

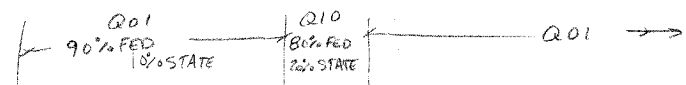
REVISIONS		ILLINOIS DEPARTMENT OF TRANSPORTATION
NAME	DATE	
		GENERAL NOTES



DATE 11/23/04 DRAWN BY RUY CHECKED BY LSA

I:\STAFF\WINDMILL\EST\04\02\04\02-01-05.DWG

F.A.I. RTE.	SECTION	COUNTY	TOTAL SHEETS	SHEET NO.
74	(72-71R-3)	PEORIA	1360	7
STA.		TO STA.		
FED. ROAD DIST. NO.		ILLINOIS FED. AID PROJECT		



SUMMARY OF QUANTITIES

CODE NO.	PAY ITEM	UNIT	TOTAL QUANTITY	URBAN													
				90% FED 10% STATE		90% FED 5% STATE 5% CITY		90% FED 10% CITY		CONSTRUCTION TYPE CODE							
				ROADWAY 1000-2A	ROADWAY J000-2A	BRIDGE (1) X271-2A	BRIDGE (2) X281-2A	BRIDGE (3) X781-2A	BRIDGE (4) X028-2A	MINOR STRUCTURES (5) Y007	OVERHEAD SIGNS Y002-1C	LIGHTING Y030-1E	ITS Y035	TRAFFIC SIGNAL INTERCONNECT Y031-1F	TRAFFIC SIGNALS (6) Y031-1F	TRAFFIC SIGNALS (7) Y031-1F	TRAFFIC SIGNALS (8) Y031-1F
66700305	PERMANENT SURVEY MARKERS TYPE II	EACH	1	1													
67100100	MOBILIZATION	L SUM	1		1												
70101800	TRAFFIC CONTROL AND PROTECTION (SPECIAL)	L SUM	1		1												
70103817	TRAFFIC CONTROL SURVEILLANCE (SPECIAL)	CAL DA	425		425												
72400100	REMOVE SIGN PANEL ASSEMBLY - TYPE A	EACH	13	10	3												
72400200	REMOVE SIGN PANEL ASSEMBLY - TYPE B	EACH	110	50	60												
72400500	RELOCATE SIGN PANEL ASSEMBLY - TYPE A	EACH	7		7												
73600100	REMOVE OVERHEAD SIGN STRUCTURE - SPAN	EACH	3								3						
73700100	REMOVE GROUND-MOUNTED SIGN SUPPORT	EACH	24	18	6												
73700200	REMOVE CONCRETE FOUNDATION - GROUND MOUNT	EACH	24	18	6												
73700300	REMOVE CONCRETE FOUNDATION- OVERHEAD	EACH	8	2							6						
78100100	RAISED REFLECTIVE PAVEMENT MARKER	EACH	1,240	264	976												
78200410	GUARDRAIL MARKERS, TYPE A	EACH	37		37												
78200500	BARRIER WALL MARKERS	EACH	8		8												
78201000	TERMINAL MARKER - DIRECT APPLIED	EACH	6	2	4												
78300200	RAISED REFLECTIVE PAVEMENT MARKER REMOVAL	EACH	82	82													
80400100	ELECTRIC SERVICE INSTALLATION	EACH	3									3					
80500200	SERVICE INSTALLATION, TYPE B	EACH	3										1		1	1	
81400200	HEAVY-DUTY HANDHOLE	EACH	3										3				
81400400	CONCRETE HANDHOLE	EACH	20									2	10		5	3	
81400500	CONCRETE HEAVY-DUTY HANDHOLE	EACH	1									1					
81400600	CONCRETE DOUBLE HANDHOLE	EACH	2												1	1	
82102400	LUMINAIRE, SODIUM VAPOR, HORIZONTAL MOUNT, 400 WATT	EACH	42									35			4	3	
82104000	LUMINAIRE, SODIUM VAPOR, MULTI-MOUNT, 400 WATT	EACH	11									11					
82500560	LIGHTING CONTROLLER TYPE CB-RCS 200 AMP-480VOLT	EACH	1									1					
84100110	REMOVAL OF TEMPORARY LIGHTING UNITS	EACH	31									31					
84200500	REMOVAL OF EXISTING LIGHTING UNIT, SALVAGE	EACH	13									13					
84200600	REMOVAL OF EXISTING LIGHTING UNIT, NO SALVAGE	EACH	37									37					
84200800	POLE FOUNDATION, REMOVED	EACH	50									50					
84500110	REMOVAL OF LIGHTING CONTROLLER	EACH	2									2					
85700200	FULL - ACTUATED CONTROLLER AND TYPE IV CABINET	EACH	3											1	1	1	
86301000	TERMINAL FACILITY	EACH	1	1													

- * SPECIALTY ITEMS
- + FUND CODE SFTY-3N
- ++ FUND CODE YO80
- +++ FUND CODE SFTY-3C
- △ NON PARTICIPATING

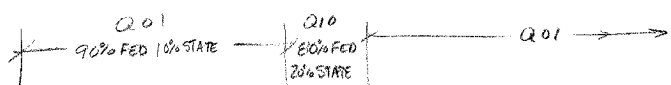
- (1) RAMP A-3 OVER RAMP B-5, SN 072-0172
- (2) RAMPS B-3 & B-5 OVER US 150 & RAMP B-6, SN 072-0190 PROPOSED (EXISTING 072-0026)
- (3) RAMPS B-1 & B-4 OVER RAMPS A-3, B-3 & I-74, SN 072-0183 PROPOSED (EXISTING 072-0027)
- (4) NORTH AND SOUTH CULVERT EXTENSION, SN 072-2005 (072-2005), SN 072-2030, SN 072-2032
- (5) WALL 8, SN 072-8556, WALL 8A, SN 072-8557, WALL 9, SN 072-8558, WALL 10, SN 072-8559, WALL 11, SN 072-8560, WALL 12, SN 072-8561, SN 072-2504, WALL 12B, DIFFERENTIAL HEIGHT BARRIER, BOX CULVERT, WALL 18B, SN 072-8618 (072-2005); WALL 18C, SN 072-8619 (072-2005)
- (6) WAR MEMORIAL DRIVE / STERLING / GLEN
- (7) WAR MEMORIAL DRIVE / SCENIC DRIVE
- (8) SCENIC DRIVE / MALL ENTRANCE



REVISIONS	
NAME	DATE

ILLINOIS DEPARTMENT OF TRANSPORTATION
SUMMARY OF QUANTITIES
 FAI ROUTE 74 (I-74)
 DRAWN BY RDY
 CHECKED BY LSA
 DATE 11/23/04

F.A.I. RTE.	SECTION	COUNTY	TOTAL SHEETS	SHEET NO.
74	(72-71R-3)	PEORIA	1360	8
STA.		TO STA.		
FED. ROAD DIST. NO.		ILLINOIS FED. AID PROJECT		



SUMMARY OF QUANTITIES

CODE NO.	PAY ITEM	UNIT	TOTAL QUANTITY	URBAN															
				CONSTRUCTION TYPE CODE												90% FED 5% STATE 5% CITY		90% FED 10% CITY	
				ROADWAY 1000-2A	ROADWAY J000-2A	BRIDGE (1) X271-2A	BRIDGE (2) X281-2A	BRIDGE (3) X781-2A	BRIDGE (4) X028-2A	MINOR STRUCTURES (5) Y007	OVERHEAD SIGNS Y002-1C	LIGHTING Y030-1E	ITS Y035	TRAFFIC SIGNAL INTERCONNECT Y031-1F	TRAFFIC SIGNALS (6) Y031-1F	TRAFFIC SIGNALS (7) Y031-1F	TRAFFIC SIGNALS (8) Y031-1F		
86400100	TRANSCEIVER - FIBER OPTIC	EACH	2														1	1	
87900200	DRILL EXISTING HANDHOLE	EACH	3											3					
88200110	TRAFFIC SIGNAL BACKPLATE, LOUVERED	EACH	17													11	6		
88800100	PEDESTRIAN PUSH-BUTTON	EACH	6															6	
89000100	TEMPORARY TRAFFIC SIGNAL INSTALLATION	EACH	2													1	1		
89502375	REMOVE EXISTING TRAFFIC SIGNAL EQUIPMENT	EACH	2													1	1		
89502380	REMOVE EXISTING HANDHOLE	EACH	13													8	5		
89502385	REMOVE EXISTING CONCRETE FOUNDATION	EACH	10													5	5		
M2010110	TREE REMOVAL (6 TO 15 UNITS DIAMETER)	UNIT	5,082	3,731	1,351														
M2010210	TREE REMOVAL (OVER 15 UNITS DIAMETER)	UNIT	310		310														
M2010500	TREE REMOVAL, HECTARES	HA	2.9	0.3	2.6														
M2020010	EARTH EXCAVATION	CU M	153,098	3,048	150,050														
M2021200	REMOVAL AND DISPOSAL OF UNSUITABLE MATERIAL	CU M	1,178		120					1,058									
M2040800	FURNISHED EXCAVATION	CU M	22,127	5,513	16,614														
M2070220	POROUS GRANULAR EMBANKMENT	CU M	16,074				562	552		14,960									
M2080250	TRENCH BACKFILL, SPECIAL	CU M	1,290	358	932														
M2101000	GEOTECHNICAL FABRIC FOR GROUND STABILIZATION	SQ M	109,466.5	56.0	109,410.5														
M2113100	TOPSOIL FURNISH AND PLACE, 100MM	SQ M	136,894	21,786	115,108														
M2500210	SEEDING, CLASS 2A	HA	12.5	1.2	11.3														
M2500300	SEEDING, CLASS 3	HA	0.5		0.5														
M2500350	SEEDING, CLASS 7	HA	11.5		11.5														
M2500400	NITROGEN FERTILIZER NUTRIENT	KG	1,275.3	124.0	1,151.3														
M2500500	PHOSPHORUS FERTILIZER NUTRIENT	KG	1,275.3	124.0	1,151.3														
M2500600	POTASSIUM FERTILIZER NUTRIENT	KG	1,275.3	124.0	1,151.3														
M2510115	MULCH, METHOD 2	HA	8.5		8.5														
M2510125	MULCH, METHOD 3	HA	12.3	1.2	11.1														
M2510630	EROSION CONTROL BLANKET	SQ M	4,208.9		4,208.9														
M2520110	SODDING, SALT TOLERANT	SQ M	9,389	9,389															
M2520200	SUPPLEMENTAL WATERING	UNIT	3,000	3,000															
M2800250	TEMPORARY EROSION CONTROL SEEDING	KG	1,026.3		1,026.3														
M2800400	PERIMETER EROSION BARRIER	METER	945		945														
M2800900	FENCE (EROSION CONTROL)	METER	2,350	290	2,060														
M2810103	STONE RIPRAP, CLASS A2	SQ M	50		50														
M2810107	STONE RIPRAP, CLASS A4	SQ M	86		86														

- * SPECIALTY ITEMS
- + FUND CODE SFTY-3N
- ++ FUND CODE Y080
- +++ FUND CODE SFTY-3C
- Δ NON PARTICIPATING

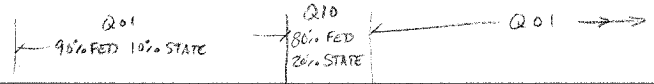
- (1) RAMP A-3 OVER RAMP B-5, SN 072-0172
- (2) RAMPS B-3 & B-5 OVER US 150 & RAMP B-6, SN 072-0190 PROPOSED (EXISTING 072-0026)
- (3) RAMPS B-1 & B-4 OVER RAMPS A-3, B-3 & I-74, SN 072-0183 PROPOSED (EXISTING 072-0027)
- (4) NORTH AND SOUTH CULVERT EXTENSION, SN 072-2005 (072-2005), SN 072-2030, SN 072-2032
- (5) WALL 8, SN 072-8556, WALL 8A, SN 072-8557, WALL 9, SN 072-8558, WALL 10, SN 072-8559, WALL 11, SN 072-8560, WALL 12, SN 072-8561, SN 072-2504, WALL 12B, DIFFERENTIAL HEIGHT BARRIER, BOX CULVERT WALL 18B, SN 072-8618 (072-2005); WALL 18C, SN 072-8619 (072-2005)
- (6) WAR MEMORIAL DRIVE / STERLING / GLEN
- (7) WAR MEMORIAL DRIVE / SCENIC DRIVE
- (8) SCENIC DRIVE / MALL ENTRANCE

REVISIONS	
NAME	DATE



ILLINOIS DEPARTMENT OF TRANSPORTATION
SUMMARY OF QUANTITIES
 FAI ROUTE 74 (I-74)
 DATE 11/23/04
 DRAWN BY RDY
 CHECKED BY LSA

F.A.I. RTE.	SECTION	COUNTY	TOTAL SHEETS	SHEET NO.
74	(72-71R-3)	PEORIA	1360	9
STA.		TO STA.		
FED. ROAD DIST. NO.		ILLINOIS FED. AID PROJECT		



SUMMARY OF QUANTITIES

CODE NO.	PAY ITEM	UNIT	TOTAL QUANTITY	CONSTRUCTION TYPE CODE													
				ROADWAY 1000-2A	ROADWAY J000-2A	BRIDGE (1) X271-2A	BRIDGE (2) X281-2A	BRIDGE (3) X781-2A	BRIDGE (4) X028-2A	MINOR STRUCTURES (5) Y007	OVERHEAD SIGNS Y002-1C	LIGHTING Y030-1E	ITS Y035	TRAFFIC SIGNAL INTERCONNECT Y031-1F	TRAFFIC SIGNALS (6) Y031-1F	TRAFFIC SIGNALS (7) Y031-1F	TRAFFIC SIGNALS (8) Y031-1F
M2810109	STONE RIPRAP, CLASS A5	SQ M	1,139						696	1,139	443						
M2810111	STONE RIPRAP, CLASS A6	SQ M	59		59												
M2810125	STONE RIPRAP, CLASS B3	SQ M	309		309												
M2820100	FILTER FABRIC FOR USE WITH RIPRAP	SQ M	3,623 1,448		2,402 309				696	1,139	443						
M2850100	ARTICULATED BLOCK PAVEMENT MAT	SQ M	2,402		2,402												
M3110010	SUB-BASE GRANULAR MATERIAL, TYPE A	M TON	4,894	4,892	2												
M3111010	SUB-BASE GRANULAR MATERIAL, TYPE B	M TON	252	252													
M3530240	PORTLAND CEMENT CONCRETE BASE COURSE 240MM	SQ M	8,206	8,206													
M4060200	BITUMINOUS MATERIALS (PRIME COAT)	M TON	337.2	90.3	246.9												
M4060300	AGGREGATE (PRIME COAT)	M TON	89	89													
M4060980	BITUMINOUS SURFACE REMOVAL-BUTT JOINT	SQ M	1,754	1,754													
M4060990	TEMPORARY RAMP	SQ M	47	47													
M4202255	PORTLAND CEMENT CONCRETE PAVEMENT 250MM (JOINTED)	SQ M	30,984	1,134	29,850												
M4205200	PROTECTIVE COAT	SQ M	134,667	7,358	127,309												
M4205050	BRIDGE APPROACH PAVEMENT(SPECIAL)	SQ M	827		827												
M4210290	CONTINUOUSLY REINFORCED PORTLAND CEMENT CONCRETE PAVEMENT 290MM	SQ M	46,265		46,265												
M4214290	PAVEMENT REINFORCEMENT 290MM	SQ M	46,265		46,265												
M4400040	BITUMINOUS SURFACE REMOVAL 40MM	SQ M	13,970	13,970													
M4401015	BITUMINOUS SURFACE REMOVAL (COLD MILLING)	SQ M	38,282	38,282													
M4402000	PAVEMENT REMOVAL	SQ M	97,777	141	97,636												
M4402040	COMBINATION CURB AND GUTTER REMOVAL	METER	3994	3,902	92												
M4402050	SIDEWALK REMOVAL	SQ M	90	90													
M4402420	MEDIAN REMOVAL	SQ M	1,329	1,329													
M4402530	PAVED SHOULDER REMOVAL	SQ M	23,819	5,376	18,443												
M4405000	PAVED DITCH REMOVAL	METER	1,293	365	928												
M4426225	CLASS B PATCHES, TYPE II, 250 MM	SQ M	767	767													
M4426245	CLASS B PATCHES TYPE II 350MM	SQ M	601	601													
M4429400	SAW CUTS	METER	2,987	2,987													
M4430020	STRIP REFLECTIVE CRACK CONTROL TREATMENT	METER	2,168	2,168													
M4812000	AGGREGATE SHOULDERS, TYPE B	M TON	10,180	516	9,664												
M4820000	BITUMINOUS SHOULDERS	M TON	2,683	2,683													
M4830200	PORTLAND CEMENT CONCRETE SHOULDERS - 200MM	SQ M	5		5												
M4830250	PORTLAND CEMENT CONCRETE SHOULDERS - 250MM	SQ M	17,597		17,597												
M4830290	PORTLAND CEMENT CONCRETE SHOULDERS - 290MM	SQ M	25,069		25,069												

- * SPECIALTY ITEMS
- + FUND CODE SFTY-3N
- ++ FUND CODE Y080
- +++ FUND CODE SFTY-3C
- Δ NON PARTICIPATING

- (1) RAMP A-3 OVER RAMP B-5, SN 072-0172
- (2) RAMPS B-3 & B-5 OVER US 150 & RAMP B-6, SN 072-0190 PROPOSED (EXISTING 072-0026)
- (3) RAMPS B-1 & B-4 OVER RAMPS A-3, B-3 & I-74, SN 072-0183 PROPOSED (EXISTING 072-0027)
- (4) NORTH AND SOUTH CULVERT EXTENSION, SN 072-2005 (072-2005), SN 072-2030, SN 072-2032
- (5) WALL 8, SN 072-8556, WALL 8A, SN 072-8557, WALL 9, SN 072-8558, WALL 10, SN 072-8559, WALL 11, SN 072-8560, WALL 12, SN 072-8561, SN 072-2504, WALL 12B, DIFFERENTIAL HEIGHT BARRIER, BOX CULVERT, WALL 18B, SN 072-8618 (072-2005); WALL 18C, SN 072-8619 (072-2005)
- (6) WAR MEMORIAL DRIVE / STERLING / GLEN
- (7) WAR MEMORIAL DRIVE / SCENIC DRIVE
- (8) SCENIC DRIVE / MALL ENTRANCE

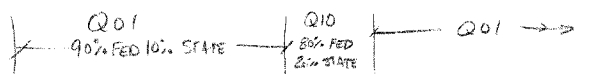
REVISIONS	
NAME	DATE



ILLINOIS DEPARTMENT OF TRANSPORTATION
SUMMARY OF QUANTITIES
 FAI ROUTE 74 (I-74)
 DRAWN BY ROY
 CHECKED BY LSA
 DATE 11/23/04

11/23/04 07:15:28 AM

F.A.I. RTE.	SECTION	COUNTY	TOTAL SHEETS	SHEET NO.
74	(72-74R-3)	PEORIA	1360	10
STA.		TO STA.		
FED. ROAD DIST. NO.		ILLINOIS	FED. AID PROJECT	



SUMMARY OF QUANTITIES

CODE NO.	PAY ITEM	UNIT	TOTAL QUANTITY	CONSTRUCTION TYPE CODE														
				ROADWAY 1000-2A	ROADWAY J000-2A	BRIDGE (1) X271-2A	BRIDGE (2) X281-2A	BRIDGE (3) X781-2A	BRIDGE (4) X028-2A	MINOR STRUCTURES (5) Y007	OVERHEAD SIGNS Y002-1C	LIGHTING Y030-1E	ITS Y035	TRAFFIC SIGNAL INTERCONNECT Y031-1F	TRAFFIC SIGNALS (6) Y031-1F	TRAFFIC SIGNALS (7) Y031-1F	TRAFFIC SIGNALS (8) Y031-1F	
M5010240	CONCRETE REMOVAL	CU M	698.9						698.6	0.3								
M5010430	CONCRETE HEADWALL REMOVAL	CU M	154.8	44.2	15.6				29.0	95.0 66.0								
M5010521	REMOVE EXISTING CULVERTS	METER	47	23					24	24								
M5010522	PIPE CULVERT REMOVAL	METER	87						87	87								
M5020100	STRUCTURE EXCAVATION	CU M	14,757				1,283	2,782		10,692								
M5030105	NEOPRENE EXPANSION JOINT 50 MM	METER	74.6			24.4	25.5	24.7										
M5030125	NEOPRENE EXPANSION JOINT 100 MM	METER	51.9				25.5	26.4										
M5030350	CONCRETE STRUCTURES	CU M	3,194.3			77.2	962.4	1,215.0		939.7								
M5030360	CONCRETE SUPERSTRUCTURE	CU M	1,573.5			89.4	483.0	729.8		271.3								
M5030390	BRIDGE DECK GROOVING	SO M	3,842			269	1,422	2,151										
M5030450	PROTECTIVE COAT	SO M	4,916			338	1,856	2,722										
M5040914	FURNISHING AND ERECTING PRECAST PRESTRESSED CONCRETE I-BEAMS 914 MM	METER	123.4				123.4											
M5041067	FURNISHING AND ERECTING PRECAST PRESTRESSED CONCRETE I-BEAMS 1067 MM	METER	161.5					161.5										
M5050105	FURNISHING AND ERECTING STRUCTURAL STEEL	L SUM	1			1												
M5050405	FURNISHING AND ERECTING STRUCTURAL STEEL	KG	4,190				1,370	2,820										
M5070209	UNTREATED TIMBER LAGGING	SO M	170							170								
M5070211	FURNISHING SOLDIER PILES (HP SECTION)	METER	360							360								
M5080105	REINFORCEMENT BARS	KG	326,760 174,010	520	170				156,930	17,080 17,080								
M5080205	REINFORCEMENT BARS, EPOXY COATED	KG	444,590	30	15,580	116,920	178,860	790	132,410									
M5110100	SLOPE WALL 100MM	SO M	1,425	450	111	399	465											
M5120100	FURNISHING METAL PILE SHELLS 305 MM	METER	716.0			150.0	566.0											
M5120115	FURNISHING METAL PILE SHELLS 356 MM	METER	1,703.0			437.0	1,266.0											
M5120160	FURNISHING STEEL PILES HP 310 X 79	METER	1,491.0				828.0	663.0										
M5120315	DRIVING STEEL PILES	METER	1,491.0				828.0	663.0										
M5120340	DRIVING AND FILLING SHELLS	METER	2,419.0			437.0	150.0	1,832.0										
M5120460	TEST PILE STEEL HP 310 X 79	EACH	2			1	1											
M5401225	PRECAST CONCRETE BOX CULVERT 3.6 M X 3.0 M	METER	55.0						55.0	55.0								
M5403000	CONCRETE BOX CULVERTS	CU M	1,460.1 5,001.8						1,281.1	179 4,601.1								
M5403220	EXPANSION BOLTS M20	EACH	208						208									
M5429910	CONCRETE COLLAR	CU M	1.0	1.0														
M542E112	PRECAST REINFORCED CONCRETE FLARED END SECTIONS 300MM	EACH	16	4	12													
M542E116	PRECAST REINFORCED CONCRETE FLARED END SECTIONS 375MM	EACH	4	2	2													
M542E124	PRECAST REINFORCED CONCRETE FLARED END SECTIONS 525MM	EACH	3	1	2													
M542E128	PRECAST REINFORCED CONCRETE FLARED END SECTIONS 600MM	EACH	5	1	4													
M542E136	PRECAST REINFORCED CONCRETE FLARED END SECTIONS 750MM	EACH	2	1	1													
M542E144	PRECAST REINFORCED CONCRETE FLARED END SECTIONS 900MM	EACH	2	2														

- * SPECIALTY ITEMS
- + FUND CODE SFTY-3N
- ++ FUND CODE Y080
- +++ FUND CODE SFTY-3C
- Δ NON PARTICIPATING

- (1) RAMP A-3 OVER RAMP B-5, SN 072-0172
- (2) RAMPS B-3 & B-5 OVER US 150 & RAMP B-6, SN 072-0190 PROPOSED (EXISTING 072-0026)
- (3) RAMPS B-1 & B-4 OVER RAMPS A-3, B-3 & I-74, SN 072-0183 PROPOSED (EXISTING 072-0027)
- (4) NORTH AND SOUTH CULVERT EXTENSION, SN 072-2005 (072-2005), SN 072-2030, SN 072-2032
- (5) WALL 8, SN 072-8556, WALL 8A, SN 072-8557, WALL 9, SN 072-8558, WALL 10, SN 072-8559, WALL 11, SN 072-8560, WALL 12, SN 072-8561, SN 072-2504, WALL 12B, DIFFERENTIAL HEIGHT BARRIER, BOX CULVERT, WALL 18B, SN 072-8618 (072-2005); WALL 18C, SN 072-8619 (072-2005)
- (6) WAR MEMORIAL DRIVE / STERLING / GLEN
- (7) WAR MEMORIAL DRIVE / SCENIC DRIVE
- (8) SCENIC DRIVE / MALL ENTRANCE

REVISIONS	
NAME	DATE



ILLINOIS DEPARTMENT OF TRANSPORTATION

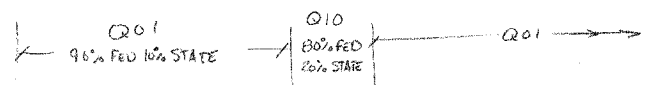
SUMMARY OF QUANTITIES

FAI ROUTE 74 (I-74)

DATE 11/23/04

DRAWN BY RDY
CHECKED BY LSA

F.A.I. RTE.	SECTION	COUNTY	TOTAL SHEETS	SHEET NO.
74	(72-71R-3)	PEORIA	1360	11
STA.		TO STA.		
FED. ROAD DIST. NO.		ILLINOIS FED. AID PROJECT		



SUMMARY OF QUANTITIES

CODE NO.	PAY ITEM	UNIT	TOTAL QUANTITY	URBAN													
				90% FED 10% STATE		90% FED 5% STATE 5% CITY		90% FED 10% CITY		CONSTRUCTION TYPE CODE							
				ROADWAY 1000-2A	ROADWAY J000-2A	BRIDGE (1) X271-2A	BRIDGE (2) X281-2A	BRIDGE (3) X781-2A	BRIDGE (4) X028-2A	MINOR STRUCTURES (5) Y007	OVERHEAD SIGNS Y002-1C	LIGHTING Y030-1E	ITS Y035	TRAFFIC SIGNAL INTERCONNECT Y031-1F	TRAFFIC SIGNALS (6) Y031-1F	TRAFFIC SIGNALS (7) Y031-1F	TRAFFIC SIGNALS (8) Y031-1F
M542E152	PRECAST REINFORCED CONCRETE FLARED END SECTIONS 1200MM	EACH	3	2	1												
M542G035	GRATING FOR CONCRETE FLARED END SECTION 600MM	EACH	4	1	3												
M542G045	GRATING FOR CONCRETE FLARED END SECTION 750MM	EACH	2	1	1												
M542G055	GRATING FOR CONCRETE FLARED END SECTION 900MM	EACH	2		2												
M542G065	GRATING FOR CONCRETE FLARED END SECTION 1200MM	EACH	2	2													
M5500030	STORM SEWERS, CLASS A, TYPE 1 300MM	METER	706.5	334.0	372.5												
M5500040	STORM SEWERS, CLASS A, TYPE 1 375MM	METER	51.5	41	10.4												
M5500050	STORM SEWERS, CLASS A, TYPE 1 450MM	METER	11.5		11.5												
M5500215	STORM SEWERS, CLASS B, TYPE 1 150MM	METER	25.5	4.5	21.0												
M5500430	STORM SEWERS, CLASS A, TYPE 2 300MM	METER	836.5	482.3	354.2												
M5500440	STORM SEWERS, CLASS A, TYPE 2 375MM	METER	108.5	85.5	23.0												
M5500450	STORM SEWERS, CLASS A, TYPE 2 450MM	METER	52.0	6.0	46.0												
M5500460	STORM SEWERS, CLASS A, TYPE 2 525MM	METER	107.0	56.0	51.0												
M5500465	STORM SEWERS, CLASS A, TYPE 2 600MM	METER	770.5	631.5	139.0												
M5500475	STORM SEWERS, CLASS A, TYPE 2 750MM	METER	114.5	86.0	28.5												
M5500485	STORM SEWERS, CLASS A, TYPE 2 900MM	METER	49.5	10.0	39.5												
M5500500	STORM SEWERS, CLASS A, TYPE 2 1200MM	METER	264.5	264.5													
M5500830	STORM SEWERS, CLASS A, TYPE 3 300MM	METER	23.5		23.5												
M5500900	STORM SEWERS, CLASS A, TYPE 3 1200MM	METER	15.5		15.5												
M5501265	STORM SEWERS, CLASS A, TYPE 4 600MM	METER	33.5		33.5												
M5501665	STORM SEWERS, CLASS A, TYPE 5 600MM	METER	3.5		3.5												
M5510025	STORM SEWERS REMOVAL 300MM	METER	218	63	155												
M5510045	STORM SEWERS REMOVAL 450MM	METER	120	120													
M5510060	STORM SEWER REMOVAL 600MM	METER	277.0	182.0	95.0												
M5510070	STORM SEWERS REMOVAL 750MM	METER	44		44												
M5510080	STORM SEWERS REMOVAL 900 MM	METER	51		51												
M5510095	STORM SEWER REMOVAL 1200MM	METER	40.0		40.0												
M552A010	STORM SEWERS JACKED IN PLACE CLASS A, 300MM	METER	15.0	15													
M552A045	STORM SEWERS JACKED IN PLACE CLASS A, 600MM	METER	16.5	16.5													
M5870020	BRIDGE SEAT SEALER	SQ M	155			41	56	58									
M5910100	GEOCOMPOSITE WALL DRAIN	SQ M	181							181							
M6010080	FRENCH DRAINS	CU M	137							137							
M6010605	PIPE UNDERDRAINS 100MM	METER	12,581.0		12,581.0												
M6010610	PIPE UNDERDRAINS 150 MM	METER	1,502.0		1,502.0												

- * SPECIALTY ITEMS
- + FUND CODE SFTY-3N
- ++ FUND CODE Y080
- +++ FUND CODE SFTY-3C
- Δ NON PARTICIPATING

- (1) RAMP A-3 OVER RAMP B-5, SN 072-0172
- (2) RAMPS B-3 & B-5 OVER US 150 & RAMP B-6, SN 072-0190 PROPOSED (EXISTING 072-0026)
- (3) RAMPS B-1 & B-4 OVER RAMPS A-3, B-3 & I-74, SN 072-0183 PROPOSED (EXISTING 072-0027)
- (4) NORTH AND SOUTH CULVERT EXTENSION, SN 072-2005 (072-2005), SN 072-2030, SN 072-2032
- (5) WALL 8, SN 072-8556, WALL 8A, SN 072-8557, WALL 9, SN 072-8558, WALL 10, SN 072-8559, WALL 11, SN 072-8560, WALL 12, SN 072-8561, SN 072-2504, WALL 12B, DIFFERENTIAL HEIGHT BARRIER, BOX CULVERT, WALL 18B, SN 072-8618 (072-2005); WALL 18C, SN 072-8619 (072-2005)
- (6) WAR MEMORIAL DRIVE / STERLING / GLEN
- (7) WAR MEMORIAL DRIVE / SCENIC DRIVE
- (8) SCENIC DRIVE / MALL ENTRANCE

REVISIONS	
NAME	DATE



ILLINOIS DEPARTMENT OF TRANSPORTATION

SUMMARY OF QUANTITIES

FAI ROUTE 74 (I-74)

DATE 11/23/04

DRAWN BY RDY
CHECKED BY LSA

F.A.I. RTE.	SECTION	COUNTY	TOTAL SHEETS	SHEET NO.
74	(72-7)R-3	PEORIA	1360	15
STA.		TO STA.		
FED. ROAD DIST. NO.		ILLINOIS FED. AID PROJECT		

201
 90% FED 10% STATE
 2010
 50% FED 20% STATE
 201

SUMMARY OF QUANTITIES				URBAN													
				90% FED 10% STATE										90% FED 5% STATE 5% CITY		90% FED 10% CITY	
CONSTRUCTION TYPE CODE				ROADWAY	ROADWAY	BRIDGE	BRIDGE	BRIDGE	BRIDGE	MINOR	OVERHEAD	LIGHTING	ITS	TRAFFIC	TRAFFIC	TRAFFIC	TRAFFIC
				1000-2A	J000-2A	(1) X271-2A	(2) X281-2A	(3) X781-2A	(4) X028-2A	(5) Y007	Y002-1C	Y030-1E	Y035	Y031-1F	Y031-1F	Y031-1F	Y031-1F
CODE NO.	PAY ITEM	UNIT	TOTAL QUANTITY														
M8770777	STEEL COMBINATION MAST ARM ASSEMBLY AND POLE 14.02 METER	EACH	1														1
M8780100	CONCRETE FOUNDATION, TYPE A	METER	1.2														1.2
M8780200	CONCRETE FOUNDATION, TYPE D	METER	2.4														1.2 1.2
M8780300	CONCRETE FOUNDATION, TYPE E 600MM DIAMETER	METER	2.5										2.5				
M8780400	CONCRETE FOUNDATION, TYPE E 750 MM DIAMETER	METER	6.0														3 3
M8860400	DETECTOR LOOP, SPECIAL	METER	46	46													
MX030199	TEMPORARY PAVEMENT	SO M	207		207												
MX030471	FORM LINER LIMESTONE SURFACE	SO M	993				182	150		661							
MX030472	FORM LINER GRID AND FIN SURFACE	SO M	1,988.5				216.0	194.0		1,578.5							
MX030473	FORM LINER PARAPET SURFACE	SO M	140					140									
MX032083	GUARDRAIL AGGREGATE EROSION CONTROL	M TON	1,433	145	1,288												
MX032657	REMOVAL AND DISPOSAL OF TEMPORARY CONCRETE BARRIER	METER	4,484.00		4,484.00												
MX032894	SLOTTED VANE DRAIN	METER	81.5		81.5												
MX032929	ENGINEERED FILL, CLASS 4	CU M	332		332												
MX033089	ENGINEERED FILL, CLASS 2	CU M	1,899		1,899												
MX033109	DRILLING AND SETTING SOLDIER PILES	CU M	81.4						81.4								
MX033181	WATER (DUST CONTROL)	UNIT	1,649		1,649												
MX033182	APPLY DUST SUPPRESSION AGENTS	UNIT	1,625		1,625												
MX033183	SOIL STABILIZERS	KG	110,993		110,993												
MX033192	AGGREGATE SUBBASE	M TON	96,131		96,131												
MX033194	WHITEWASH	SO M	122,189		122,189												
MX033206	TEMPORARY SIGN PANEL OVERLAY	SO M	13.32	13.32													
MX033450	CONCRETE BARRIER, DOUBLE FACE (SPECIAL)	CU M	1,317.9		1,094.0				223.9								
MX033456	NONINTRUSIVE DETECTOR POLE 9.1 METER	EACH	1										1				
MX033460	WET TEMPORARY PAVEMENT MARKING TAPE TYPE III 100 MM	METER	835.0		835.0												
MX033462	REMOVAL AND DISPOSAL OF TEMPORARY CONCRETE BARRIER (STATE OWNED)	METER	2,626.05		2,626.05												
MX402045	AGGREGATE SURFACE COURSE, TYPE B, 200 MM	SO M	680		680												
MX406064	POLYMERIZED BITUMINOUS CONCRETE SURFACE COURSE, SUPERPAVE, MIX "E", N70	M TON	3,717	3,717													
MX406066	POLYMERIZED BIT CONC SURFACE COURSE, SUPERPAVE, MIX E, N90, 38MM	M TON	1,328	1,328													
MX406246	POLYMERIZED BITUMINOUS CONCRETE BINDER COURSE, SUPERPAVE, IL-19.0, N70	M TON	5,575	5,575													
MX406248	POLYMERIZED BIT CONC BINDER COURSE, SUPERPAVE, IL 19.0 N90, 57MM	M TON	1,992	1,992													
MX406295	BITUMINOUS CONCRETE BINDER COURSE, SUPERPAVE, IL-19.0L (LOW ESAL)	M TON	38,811	38,811													

* SPECIALTY ITEMS
 + FUND CODE SFTY-3N
 ++ FUND CODE Y080
 +++ FUND CODE SFTY-3C
 Δ NON PARTICIPATING

- (1) RAMP A-3 OVER RAMP B-5, SN 072-0172
- (2) RAMPS B-3 & B-5 OVER US 150 & RAMP B-6, SN 072-0190 PROPOSED (EXISTING 072-0024)
- (3) RAMPS B-1 & B-4 OVER RAMPS A-3, B-3 & I-74, SN 072-0183 PROPOSED (EXISTING 072-0027)
- (4) NORTH AND SOUTH CULVERT EXTENSION, SN 072-2005 (072-2005), SN 072-2030, SN 072-2032
- (5) WALL 8, SN 072-8556, WALL 8A, SN 072-8557, WALL 9, SN 072-8558, WALL 10, SN 072-8559, WALL 11, SN 072-8560, WALL 12, SN 072-8561, SN 072-2504, WALL 12B, DIFFERENTIAL HEIGHT BARRIER, BOX CULVERT, WALL 18B, SN 072-8618 (072-2005); WALL 18C, SN 072-8619 (072-2005)
- (6) WAR MEMORIAL DRIVE / STERLING / GLEN
- (7) WAR MEMORIAL DRIVE / SCENIC DRIVE
- (8) SCENIC DRIVE / MALL ENTRANCE

REVISIONS	
NAME	DATE



ILLINOIS DEPARTMENT OF TRANSPORTATION
SUMMARY OF QUANTITIES
 FAI ROUTE 74 (I-74)
 DRAWN BY RDY
 CHECKED BY LSA
 DATE 11/23/04

PROJECT ENGINEER: RICH DOTSON (309) 671-3455

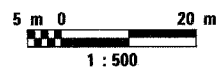
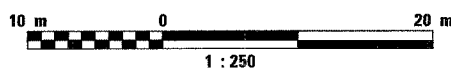
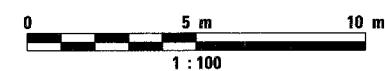
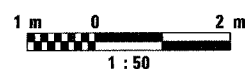
DESIGN DESIGNATION

FAI ROUTE 74 (ML PAVEMENT)-7625 (25) INTERSTATE 38.28(PCC-30)
FAI ROUTE 74 (RAMP PAVEMENT)-1455 (25) INTERSTATE 9.23(PCC-30)
WAR MEMORIAL DRIVE - 3460 (25) ARTERIAL 10.76(COMP-20)
GLEN AVENUE - 3040 (25) ARTERIAL 11.52(COMP-20)

SURVEY BOOK NOS.
2841A THRU 2841E

LIAISON ENGINEER: CHRISTOPHER MAUSHARD (309) 671-3464

METRIC RATIOS



FULL SIZE PLANS HAVE BEEN PREPARED USING STANDARD ENGINEERING SCALES. REDUCED SIZED PLANS WILL NOT CONFORM TO STANDARD SCALES. IN MAKING MEASUREMENTS ON REDUCED PLANS, THE ABOVE SCALES MAY BE USED.

J.U.L.I.E. 1-800-892-0123
JOINT UTILITY LOCATION INFORMATION FOR EXCAVATION

CATALOG NO. 031087-17D
CONTRACT NO. 68200

- BITUMINOUS SUPERPAVE
- NPDES PERMIT REQUIRED
- QC/QA BITUMINOUS
- QC/QA CONCRETE

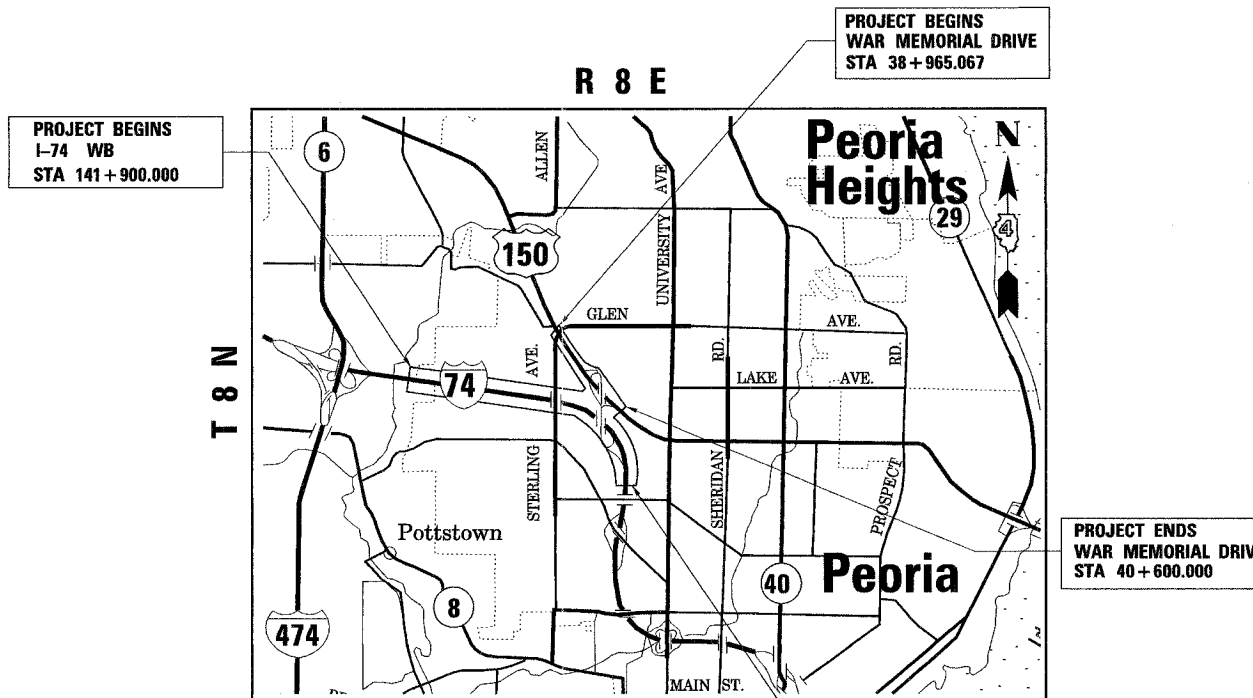
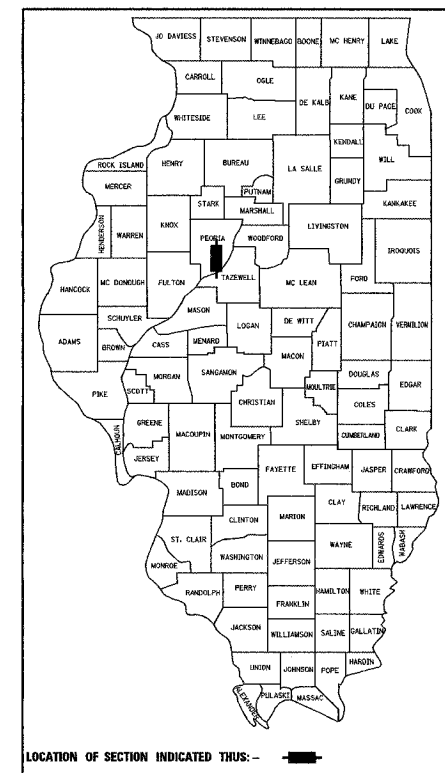
STATE OF ILLINOIS
DEPARTMENT OF TRANSPORTATION
DIVISION OF HIGHWAYS

**PROPOSED
HIGHWAY PLANS**

FAI ROUTE 74 (I-74)
SECTION (72-7)R-3
PEORIA COUNTY
C-94-009-02

F.A. RTE.	SECTION	COUNTY	TOTAL SHEETS	SHEET NO.
74	(72-7)R-3	PEORIA	1360	18

D-94-009-02



PROJECT BEGINS
I-74 WB
STA 141+900.000

PROJECT BEGINS
WAR MEMORIAL DRIVE
STA 38+965.067

PROJECT ENDS
WAR MEMORIAL DRIVE
STA 40+600.000

PROJECT ENDS
I-74 WB
STA 144+718.000

LOCATION MAP

MAP SCALE 1:25,000

GROSS LENGTH OF IMPROVEMENT: 4.334 km (2.693 MILES)
NET LENGTH OF IMPROVEMENT: 4.334 km (2.693 MILES)

DESIGNED BY:

**PARSONS
TRANSPORTATION GROUP**
Engineers and Planners

10 SOUTH RIVERSIDE CHICAGO, IL. 60606
PROJECT ENGINEER: MARK W. PETERSON (312) 930-5100

PRINTED BY THE AUTHORITY OF THE STATE OF ILLINOIS

11/12/2004 SET#1

F.A. RTE.	SECTION	COUNTY	TOTAL SHEETS	SHEET NO.
T4	(I2-7)R-3	PEORIA	1360	19
STA.		TO STA.		
FED. ROAD DIST. NO.		ILLINOIS FED. AID PROJECT		

SHT. NO. CIVIL DRAWINGS

GENERAL DRAWINGS
 18 COVER SHEET
 19 INDEX OF SHEETS, STANDARDS & COMMITMENTS

20 - 22 **STATUS OF UTILITIES TO BE ADJUSTED**

23 - 30A **BILL OF MATERIALS**

TYPICAL SECTIONS

31 - 36 WB I-74
 37 - 42 PROPOSED RAMPS
 43 - 46 WAR MEMORIAL DRIVE
 47 WAR MEMORIAL DRIVE, SIDE STREETS

48 - 104 **SCHEDULE OF QUANTITIES**

ALIGNMENT, TIES AND BENCHMARKS

105 - 109 ALIGNMENT, TIES AND BENCHMARKS
 110 - 114 SCHEMATIC DRAWINGS, WB I-74
 115 - 117 SCHEMATIC DRAWINGS, WAR MEMORIAL DRIVE

MAINTENANCE OF TRAFFIC - STAGE 3-1

118 - 119 SCHEMATIC - WB I-74
 120 SCHEMATIC - WAR MEMORIAL DRIVE
 121 - 123 TYPICAL SECTIONS, WB I-74
 124 - 125 TYPICAL SECTIONS, WAR MEMORIAL
 126 - 138 MAINTENANCE OF TRAFFIC STAGE 3-1, WB I-74
 139 - 143 MAINTENANCE OF TRAFFIC STAGE 3-1, WAR MEMORIAL DRIVE

MAINTENANCE OF TRAFFIC - STAGE 3-2

144 - 145 SCHEMATIC - WB I-74
 146 SCHEMATIC - WAR MEMORIAL DRIVE
 147 - 149 TYPICAL SECTIONS, WB I-74
 150 - 151 TYPICAL SECTIONS, WAR MEMORIAL
 152 - 160 MAINTENANCE OF TRAFFIC STAGE 3-2, WB I-74
 161 - 165 MAINTENANCE OF TRAFFIC STAGE 3-2, WAR MEMORIAL DRIVE

MAINTENANCE OF TRAFFIC - STAGE 3-3

166 - 167 SCHEMATIC - WB I-74
 168 SCHEMATIC - WAR MEMORIAL DRIVE
 169 - 170 TYPICAL SECTIONS, WAR MEMORIAL
 171 - 176 MAINTENANCE OF TRAFFIC STAGE 3-3, WAR MEMORIAL DRIVE

MAINTENANCE OF TRAFFIC - STAGE 3-4

177 - 178 SCHEMATIC - WB I-74
 179 SCHEMATIC - WAR MEMORIAL DRIVE
 180 - 187 MAINTENANCE OF TRAFFIC STAGE 3-4, WB I-74

CONCEPTUAL TEMPORARY INFORMATIONAL SIGNING PLAN

188 - 199 STAGE 3-1
 200 - 203 STAGE 3-2
 204 - 207 STAGE 3-3
 208 - 223 STAGE 3-4

ROADWAY - I74-WB

224 - 247 EXISTING AND PROPOSED ROADWAY, WB I-74
 248 - 259 EXISTING AND PROPOSED ROADWAY, WAR MEMORIAL DRIVE

ROADWAY- PROFILES

260 - 264 WB I-74
 265 - 266 RAMP A-3
 267 RAMP A-4
 268 - 269 RAMP B-1
 270 - 271 RAMP B-2
 272 - 273 RAMP B-3
 274 - 275 RAMP B-4
 276 - 277 RAMP B-5
 278 RAMP B-6

DRAINAGE DITCH-PROFILES

279 - 280 WB I-74 - RAMP B-1
 281 - 282 WB I-74 - RAMP B-2
 283 - 285 WB I-74 - RAMP B-3

SHT. NO.

DRAINAGE & UTILITY PLANS

286 - 301 DRAINAGE AND UTILITY PLAN, WB I-74
 302 - 312 DRAINAGE AND UTILITY PLAN, WAR MEMORIAL DRIVE
 313 - 317 DRAINAGE AND UTILITY DETAIL
 318 RIP RAP TABLE
 319 CONTROL POINT PLAN
 320 INTERCHANGE GRADING PLAN

321 - 330 **ROW PLANS**

INTERSECTION DETAILS

331 STERLING AVENUE/GLEN AVENUE AT WAR MEMORIAL DRIVE
 332 - 333 SCENIC DRIVE AT WAR MEMORIAL DRIVE
 334 - 335 NORTH MALL ACCESS AT SCENIC DRIVE
 336 RAMP B-4 AT WAR MEMORIAL DRIVE

TRAFFIC SIGNAL PLANS

337 - 338 WAR MEMORIAL DRIVE/STERLING AVE.
 339 - 342 WAR MEMORIAL DRIVE/SCENIC AVE.
 343 - 346 SCENIC AVE./NORTH MALL ENTRANCE
 347 - 348 PROPOSED TRAFFIC SIGNAL INTERCONNECT

PAVEMENT MARKING PLANS

349 - 359 PAVEMENT MARKING PLANS, WB I-74
 360 - 364 PAVEMENT MARKING PLANS, WAR MEMORIAL DRIVE

GORE DETAILS

365 RAMP A-3 & I74
 366 RAMP A-4 & I74
 367 - 368 RAMP B-1 & WAR MEMORIAL DRIVE
 369 RAMP B-1 & RAMP B-2
 370 RAMP B-2 & RAMP I74
 371 RAMP B-3 & WAR MEMORIAL DRIVE
 372 RAMP B-2 & RAMP B-3
 373 RAMP B-4 & RAMP B-6
 374 RAMP B-5 & I74
 375 RAMP B-5 & WAR MEMORIAL DRIVE
 376 RAMP B-6 & WAR MEMORIAL DRIVE

PAVEMENT JOINTS

377 - 378 RAMP A-3
 379 RAMP A-4
 380 - 383 RAMP B-1
 384 - 385 RAMP B-2
 386 - 390 RAMP B-3
 391 - 394 RAMP B-4
 395 - 398 RAMP B-5
 399 RAMP B-6

DETAILS

400 - 404 CONCRETE BARRIER SCHEMATIC
 405 - 413 CONCRETE BARRIER ELEVATIONS, WB I-74 RAMP B-3/B-5, B-4/B-1 & A-3/B-2/B-3
 414 BRIDGE APPROACH PAVEMENT RAMPS B-1/B-4 OVER I-74
 415 BRIDGE APPROACH PAVEMENT RAMPS B-3/B-5 OVER WAR MEMORIAL DRIVE
 416 BRIDGE APPROACH PAVEMENT RAMPS A-3/B-5
 417 - 419 PAVEMENT MARKING DETAILS

STRUCTURAL DRAWINGS

420 - 442 BRIDGE, RAMP A-3 OVER RAMP B-5, SN 072-0172
 443 - 498 BRIDGE, RAMPS B-1 AND B-4 OVER FAI ROUTE 74 (I-74) RAMPS A-3 AND B-3, SN 072-0183
 499 - 543 BRIDGE, RAMPS B-3 AND B-5 OVER WAR MEMORIAL DRIVE AND RAMP B-6, SN 072-0190
 544 - 550 BOX CULVERT, RAMP B-3 OVER DRY RUN CREEK, SN 072-2030
 551 - 567 BOX CULVERT, I-74 OVER DRY RUN CREEK, SN 072-2032
 568 - 576 BOX CULVERT, WAR MEMORIAL DRIVE OVER DRY RUN CREEK, SN 072-2504
 577 - 598 MSE WALL NO. 8 - RAMP A-3, SN 072-8556
 599 - 607 WALL NO. 8A - RAMP A-3, SN 072-8557
 608 - 614 WALL NO. 9 - RAMP B-5, SN 072-8558
 615 - 624 WALL NO. 10 - RAMP B-4, SN 072-8559
 625 - 630 WALL NO. 11 - RAMP B-3, SN 072-8560
 631 - 635 WALL NO. 12 - RAMP B-4, SN 072-8561
 636 - 638 WALL NO. 12B - RAMP B-1, SN 072-NA
 639 SLOPEWALLS BRIDGE 072-0191

SHT. NO.

CROSS SECTIONS

640 - 712 WESTBOUND I-74
 713 - 725 RAMP A-3
 726 - 746 RAMP B-1
 747 - 753 RAMP B-2
 754 - 774 RAMP B-3
 775 - 797 RAMP B-4
 798 - 818 RAMP B-5
 819 - 824 RAMP B-6
 825 - 847 WAR MEMORIAL DRIVE
 848 - 850 SCENIC DRIVE
 851 NORTH MALL ACCESS

PROJECT STANDARDS

852 420101-I74
 853 420206-I74
 854 420306-I74
 855 420401-I74
 856 420402-I74
 857 421001-I74
 858 483001-I74
 859 601001-I74
 860 637001-I74
 861 701101-I74
 862 701403-I74
 863 701404-I74
 864 701411-I74

DISTRICT 4 CADD STANDARDS

865 205001-D4
 866 280001-D4
 867 280101-D4
 868 281001-D4
 869 - 870 406101-D4
 871 - 872 406301-D4
 873 420401-D4
 874 - 875 423101-D4
 876 440001-D4
 877 601701-D4
 878 667101-D4

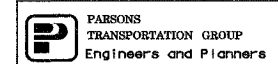
HIGHWAY STANDARDS

542301
 542311
 602101
 602301
 602306
 602401
 602601
 602701
 604001
 604041
 604071
 604081
 606001
 606301
 606401
 609001
 701101
 701106
 701401
 701406
 701411
 701416
 701501
 701701

REVISIONS	
NAME	DATE

ILLINOIS DEPARTMENT OF TRANSPORTATION
 INDEX OF SHEETS, STANDARDS
 AND COMMITMENTS

DATE 11/12/04
 DRAWN BY CADD
 CHECKED BY MWP



F.A. RTE.	SECTION	COUNTY	TOTAL SHEETS	SHEET NO.
74	(72-7)R-3	PEORIA	1360	20
STA.		TO STA.		
FED. ROAD DIST. NO.		ILLINOIS FED. AID PROJECT		

AmerenCILCO (Electric)

Route	Offset	Location	Type of Utility	Type of Conflict	Disposition
I-74 EB	49m Lt. to 45m Lt.	142+790± to 142+815±	Electric Duct	Cut	Abandoned
I-74 EB	47m Lt.	142+815±	Electric Box	Pavement	Removed
I-74 EB	45m Lt.	142+815±	Manhole	Pavement	Removed
I-74 EB	44m Lt.	142+817±	Underground Switch	Pavement	Removed
I-74 EB	49m Rt.	142+834±	Power Pole	Earthwork	Removed
I-74 EB	39m Rt.	142+840±	Power Pole	Fill	Removed
I-74 EB	44m Lt. to 49m Lt.	142+815± to 142+885±	Electric Duct	Pavement	Abandoned
I-74 EB	50m Rt.	142+874±	Power Pole	Cut	Removed
I-74 EB	49m Rt.	142+878±	Power Pole	Cut	Removed
I-74 EB	48m Lt.	142+881±	Power Pole	Pavement	Removed
I-74 EB	48m Lt.	142+885±	Power Pole	Pavement	Removed
I-74 EB	50m Lt.	142+886±	Manhole	Pavement	Removed
I-74 EB	50m Lt. to 48m Lt.	142+886± to 143+078±	Electric Duct with Cable	Cut	Abandoned
US 150 (War Memorial Dr.)	28m Lt. to 30m Lt.	39+067 to 39+103	Buried Electric	Ditch Cut	Caution
US 150 (War Memorial Dr.)	30m Lt. to 22m Lt.	39+103 to 39+140	Buried Electric	Ditch Cut	Caution
US 150 (War Memorial Dr.)	56m Rt.	39+094	Power Pole	Prop. Roadway	Relocate
US 150 (War Memorial Dr.)	25m Lt. to 25m Lt.	39+396 to 39+445	Buried Electric	Prop. Curb & Gutter/Roadway	Relocated
US 150 (War Memorial Dr.)	64m Rt. to 26m Rt.	39+369 to 39+387	Buried Electric	Curb & Gutter/Storm Sewer	Caution
US 150 (War Memorial Dr.)	26m Rt. to 26m Rt.	39+345 to 39+350	Buried Electric	Curb & Gutter	Caution
US 150 (War Memorial Dr.)	26m Rt. to 30m Rt.	39+387 to 39+440	Buried Electric	Curb & Gutter/Prop. Roadway	Caution
US 150 (War Memorial Dr.)	26m Rt.	39+387	Manhole	Grading	Relocate/Adjust
US 150 (War Memorial Dr.)	26m Lt. to 28m Rt.	39+387	Buried Electric	Curb & Gutter Prop. Roadway	Caution
US 150 (War Memorial Dr.)	35m Rt. to 35m Rt.	39+609 to 39+618	Buried Electric	Rip Rap	Relocate
US 150 (War Memorial Dr.)	22m Rt. to 24m Rt.	39+800 to 39+840	Buried Electric	Storm Sewer	Relocate
US 150 (War Memorial Dr.)	30m Rt. to 32m Rt.	39+885 to 39+940	Buried Electric	Culvert	Relocate
US 150 (War Memorial Dr.)	43m Rt. to 27m Rt.	39+885 to 39+930	Buried Electric	Culvert	Relocate
US 150 (War Memorial Dr.)	72m Rt. to 36m Rt.	39+915 to 39+946	Buried Electric Transmission	Culvert	Relocate
US 150 (War Memorial Dr.)	15m Rt. to 15m Rt.	39+954 to 39+974	Buried Electric	Storm Sewer	Relocate
US 150 (War Memorial Dr.)	36m Lt.	40+068	Power Pole	Approach Pavement	Relocate
US 150 (War Memorial Dr.)	41m Rt. to 45m Rt.	39+950 to 39+970	Buried Electric	Storm Sewer	Relocate
US 150 (War Memorial Dr.)	15m Rt.	40+100 to 40+140	Buried Electric	Ramp B-6	Caution
Ramp B-3 (Baseline)	24m Rt.	10+750 to 10+760	Buried Electric	Storm Sewer	Relocate
US 150 (War Memorial Dr.)	15m Rt.	40+220 to 40+230	Buried Electric	Storm Sewer	Relocate
US 150 (War Memorial Dr.)	15m Rt.	40+269	Electric Manhole	Ramp B-4	Adjust/Remove
US 150 (War Memorial Dr.)	28m Rt. to 28m Rt.	40+325 to 40+350	Buried Electric	Storm Sewer	Relocate
US 150 (War Memorial Dr.)	27m Rt. to 27m Rt.	40+375 to 40+580	Buried Electric	Storm Sewer	Caution

REVISIONS	
NAME	DATE

ILLINOIS DEPARTMENT OF TRANSPORTATION
STATUS OF UTILITIES
TO BE ADJUSTED
FAI ROUTE 74 (I-74) (WB)



DATE 11/12/04
DRAWN BY CADD
CHECKED BY MWP

F.A. - RTE.	SECTION	COUNTY	TOTAL SHEETS	SHEET NO.
74	(72-7)R-3	PEORIA	1360	21
STA.		TO STA.		
FED. ROAD DIST. NO.		ILLINOIS FED. AID PROJECT		

AmerenCILCO (GAS)

Route	Offset	Location	Type of Utility	Type of Conflict	Disposition
I-74 EB	49m Rt. to 66m Lt.	142+872 ± to 142+874 ±	6" Gas Main	Drainage	Abandoned/ Remove During Construction
I-74 EB	8m Lt.	144+740 ±	12" Gas Main	Storm Sewer	Caution
I-74 EB	19m Rt.	14+742 ±	12" Gas Main	Drop Structure	Caution
US 150 (War Memorial Dr.)	7m Rt. to 30m Rt.	39+353	Buried Gas Main	Curb & Gutter/ Storm Sewer	Relocate
US 150 (War Memorial Dr.)	25m Rt. to 25m Rt.	39+353 to 39+450	Buried Gas Main	Curb & Gutter/ Storm Sewer	Relocate
US 150 (War Memorial Dr.)	25m Rt. to 25m Rt.	39+609 to 39+618	Buried Gas Main	Rip Rap	Relocate
US 150 (War Memorial Dr.)	50m Lt. to 62m Lt.	39+690 to 39+720	Buried Gas Main	Rip Rap	Relocate
US 150 (War Memorial Dr.)	41m Rt. to 45m Rt.	39+950 to 39+970	Buried Gas Main	Storm Sewer	Relocate
Ramp B-3	23m Rt.	10+750 to 10+760	Buried Gas Main	Storm Sewer	Relocate
US 150 (War Memorial Dr.)	32m Lt. to 32m Lt.	40+385 to 40+398	Buried Gas Main	Storm Sewer	Relocate

City of Peoria

Route	Offset	Location	Type of Utility	Type of Conflict	Disposition
US 150 (War Memorial Dr.)	17m Lt. to 21m Lt.	39+190 to 39+396	Buried Telephone	Lighting Foundations	Relocate
US 150 (War Memorial Dr.)	19m Lt. to 19m Lt.	39+190 to 39+197	Buried Telephone	Lighting Foundations	Relocate
US 150 (War Memorial Dr.)	20m Lt. to 19m Lt.	39+444 to 39+500	Buried Telephone	Curb & Gutter	Relocate
US 150 (War Memorial Dr.)	22m Lt. to 14m Lt.	39+685 to 39+720	Buried Telephone	Ramp B-3	Relocate
US 150 (War Memorial Dr.)	20m Lt. to 22m Lt.	39+954 to 39+974	Buried Telephone	Storm Sewer	Relocate
US 150 (War Memorial Dr.)	14m Lt.	40+325 to 40+485	Buried Telephone	Lighting Foundations	Caution

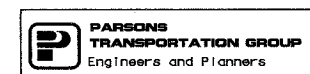
GPSD

Route	Offset	Location	Type of Utility	Type of Conflict	Disposition
I-74 EB	48m Lt.	142+790 ±	Clean Out	Earthwork	Caution
I-74 EB	48m Lt.	142+865 ±	Manhole	Pavement	Abandon
I-74 EB	48m Lt. to 47m Lt.	142+865 ± to 142+889 ±	12" C.I. Sanitary Sewer Main	Under Pavement	Abandon
I-74 EB	60m Lt. to 47m Lt.	142+885 ± to 142+889 ±	12" D.I.P. Sanitary Sewer Main	Pavement/Wall	Abandon
I-74 EB	47m Lt.	142+889 ±	Manhole	Pavement	Abandon/ Remove
I-74 EB	47m Lt. to 50m Lt.	142+889 ± to 142+980 ±	12" C.I. Sanitary Sewer Main	Pavement/Wall	Abandon
I-74 EB	50m Lt.	142+980 ±	Manhole	Cut	Abandon/ Remove
I-74 EB	45m Lt.	143+060 ±	Manhole	Cut	Abandon/ Remove
I-74 EB	5m Lt.	143+326 ±	24" Sanitary Sewer Main	Temp. Soil Ret. System	Caution
I-74 EB	23m Rt.	143+360 ±	24" Sanitary Sewer Main	Manhole	Caution
I-74 EB	23m Rt.	143+361 ±	24" Sanitary Sewer Main	Storm Sewer	Caution
I-74 EB	37m Rt.	14+792 ±	Manhole	Manhole	Caution
Ramp A-3 (Baseline)	12m Rt. to 8m Rt.	10+550 to 10+625	Sanitary Main	Fill	Relocate
Mainline WB	42m Lt.	143+905	Sanitary Manhole	Fill	Adjust
Mainline WB	42m Lt. to 41m Lt.	143+905 to 144+120	Sanitary Main	Cut	Caution
Ramp B-3 (Baseline)	10m Rt. to 32m Lt.	11+065 to 11+030	Sanitary Main	Proposed Ramp/ Culvert	Caution
Ramp B-3 (Baseline)	32m Lt.	11+036	Manhole	Ditch Cut, Rip Rap	Adjust During Construction
War Memorial Drive	0m Lt. to 30m Lt.	39+874 to 39+900	Sanitary Main	Storm Sewer	Caution

REVISIONS	
NAME	DATE

ILLINOIS DEPARTMENT OF TRANSPORTATION
STATUS OF UTILITIES
TO BE ADJUSTED
FAI ROUTE 74 (I-74) (WB)

DATE 11/12/04
DRAWN BY CADD
CHECKED BY MWP



F.A. RTE.	SECTION	COUNTY	TOTAL SHEETS	SHEET NO.
74	(72-7)R-3	PEORIA	1360	22
STA.		TO STA.		
FED. ROAD DIST. NO.		ILLINOIS	FED. AID PROJECT	

Route	Offset	Location	Type of Utility	Type of Conflict	Disposition
Ramp A-1	12.5m Rt. to 15.5m Rt.	10+372 to 10+426	12" Water Main in 24" Steel Casing	Noise Abatement Wall	Caution
I-74 EB	19m Rt.	144+736	12" Water Main	Storm Sewer	Caution
US 150 (War Memorial Dr.)	15m Rt. to 25m Rt.	39+217	Buried Water Main	Curb & Gutter/ Storm Sewer	Relocate
US 150 (War Memorial Dr.)	7m Rt.	39+368	Fire Hydrant	Curb & Gutter	Relocate
US 150 (War Memorial Dr.)	26m Rt. to 26m Rt.	39+430 to 39+450	Water Main	Curb & Gutter/ Lighting Foundation	Relocate
US 150 (War Memorial Dr.)	28m Rt. to 28m Rt.	39+609 to 39+618	Water Main	Rip Rap	Relocate
US 150 (War Memorial Dr.)	41m Rt. to 45m Rt.	39+950 to 39+970	Water Main	Storm Sewer	Relocate
US 150 (War Memorial Dr.)	23m Lt. to 23m Lt.	40+380 to 40+400	Water Main	Storm Sewer	Relocate
US 150 (War Memorial Dr.)	20m Rt. to 27m Rt.	40+500	Water Main	Storm Sewer	Relocate

Route	Offset	Location	Type of Utility	Type of Conflict	Disposition
US 150 (Baseline of War Memorial Drive.)	16m Lt. to 35m Lt.	38+988 to 39+016	Buried CATV	Storm Sewer	Relocate
US 150 (Baseline of War Memorial Drive.)	78m Lt. to 46m Lt.	39+052 to 39+083	Buried CATV	Curb & Gutter / Ditch Cut	Relocate
US 150 (Baseline of War Memorial Drive.)	18m Lt. to 20m Lt.	39+239 to 39+300	Buried CATV	Lighting Foundation	Relocate
US 150 (Baseline of War Memorial Drive.)	41m Rt. to 45m Rt.	39+950 to 39+970	Buried CATV X 2 Cables	Storm Sewer	Relocate

Route	Offset	Location	Type of Utility	Type of Conflict	Disposition
US 150 (Baseline of War Memorial Drive.)	166m Rt. to 44m Rt.	39+335 to 39+425	Buried F.O.	Proposed Curb & Gutter	Relocate
US 150 (Baseline of War Memorial Drive.)	32m Rt. to 32m Rt.	39+609 to 39+618	Buried F.O.	Rip Rap	Relocate
US 150 (Baseline of War Memorial Drive.)	41m Rt. to 45m Rt.	39+950 to 39+970	Buried F.O.	Storm Sewer	Relocate

Route	Offset	Location	Type of Utility	Type of Conflict	Disposition
I-74 Eastbound	49m Lt. to 44m Lt.	142+789 to 142+819±	Buried Telephone Cable	Cut	Abandoned
I-74 Eastbound	44m Lt.	142+819±	Pedestal	Pavement	Removed
I-74 Eastbound	44m Lt. to 46m Lt.	142+819± to 142+832±	Buried Telephone Duct	Cut	Abandoned
US 150 (Baseline of War Memorial Drive)	28m Lt. to 21m Lt.	39+112 to 39+136	Buried Telephone	Ditch Cut	Relocate
US 150 (Baseline of War Memorial Drive)	61m Lt. to 48m Lt.	39+604 to 39+618	Buried Telephone	Curb & Gutter	Relocate/ Adjust
US 150 (Baseline of War Memorial Drive)	35m Rt. to 35m Rt.	39+604 to 39+618	Buried Telephone	Rip Rap	Relocate
US 150 (Baseline of War Memorial Drive)	43m Rt. to 27m Rt.	39+885 to 39+930	Buried Telephone	Culvert - Excavation	Relocate/ Caution
US 150 (Baseline of War Memorial Drive)	15m Rt. to 15m Rt.	39+954 to 39+974	Buried Telephone	Storm Sewer	Caution
US 150 (Baseline of War Memorial Drive)	41m Rt. To 45m Rt.	39+950 to 39+970	Buried Telephone	Storm Sewer	Caution/Adjust During Construction
US 150 (Baseline of War Memorial Drive)	15m Rt.	40+100 to 40+140	Buried Telephone	Ramp B-6	Caution
Ramp B-3	25m Rt.	10+750 to 10+760	Buried Telephone	Storm Sewer	Caution
US 150 (War Memorial Dr.)	15m Rt.	40+220 to 40+230	Buried Telephone	Storm Sewer	Caution
US 150 (War Memorial Dr.)	15m Rt.	40+275	Manhole	Pavement/ Subgrade	Adjust
US 150 (War Memorial Dr.)	28m Rt.	40+416 to 40+500	Buried Telephone	Storm Sewer	Caution
US 150 (War Memorial Dr.)	28m Rt. to 28m Rt.	40+325 to 40+350	Buried Telephone	Storm Sewer	Caution
US 150 (War Memorial Dr.)	32m Lt. to 32m Lt.	40+385 to 40+398	Buried Telephone	Storm Sewer	Caution

LIST OF UTILITY OWNERS AND CONTACTS

DAN URBANIAK
ELECTRIC
AMERENCILCO
300 LIBERTY STREET
PEORIA, IL 61602
(309) 693-4731

CARL ATTEBURY
MCLEOD USA
102 EAST SHAFER STREET
FORTSYTHE, IL 62535
(217) 876-7194

PAM MONK
SBC
ENGINEERING DEPARTMENT, 2ND FLOOR
2315 NORTH KNOXVILLE AVENUE
PEORIA, IL 61604
(309) 686-3324

ERICK ENRIQUEZ
GAS
AMERENCILCO
300 LIBERTY STREET
PEORIA, IL 61602
(309) 637-3511

KEVIN HILLEN, MANAGER
ILLINOIS-AMERICAN WATER COMPANY
123 S.W. WASHINGTON
PEORIA, IL 61602
(309) 671-3720

TIM LEACH
GREATER PEORIA SANITARY DISTRICT
2322 SOUTH DARST STREET
PEORIA, IL 61607
(309) 637-3511 EXT. 618

JEFF TINDER
ILLINOIS DEPARTMENT OF TRANSPORTATION
(309) 671-3398

BRUCE VON BRETHORST
INSIGHT COMMUNICATIONS
3517 NORTH DRIES LANE
PEORIA, IL 61604
(309) 686-2677

GENE HEWITT
CITY ENGINEER
CITY OF PEORIA
419 FULTON STREET
PEORIA, IL 61602
(309) 494-8816

STEVE VANWINKLE
DIRECTOR OF PUBLIC WORKS
CITY OF PEORIA
419 FULTON STREET
PEORIA, IL 61602

REVISIONS	
NAME	DATE

ILLINOIS DEPARTMENT OF TRANSPORTATION
STATUS OF UTILITIES
TO BE ADJUSTED
FAI ROUTE 74 (I-74) (WB)



DATE 11/12/04

DRAWN BY CADD
CHECKED BY MWP

F.A. RTE.	SECTION	COUNTY	TOTAL SHEETS	SHEET NO.
74	(72-7R-3)	PEORIA	1360	23
STA.		TO STA.		
FED. ROAD DIST. NO.		ILLINOIS FED. AID PROJECT		

SET * - BILL OF MATERIALS FOR INFORMATION ONLY					URBAN IM													
CODE NO.	PAY ITEM	UNIT	TOTAL QUANTITY	90 % FED 10 % STATE						90 % FED 5 % STATE 5% CITY		90 % FED 10 % STATE						
				ROADWAY 1000-2A (WMD)	ROADWAY J000-2A (I-74)	BRIDGE (1) X271-2A A3	BRIDGE (2) X281-2A B3/B5	BRIDGE (3) X781-2A B1/B4	BRIDGE (4) X028-2A Culvert>20	MINOR STRUCTURES (5) Y007 Culvert<20, R Wall	OVERHEAD SIGNS Y002-1C	LIGHTING Y030-1E	ITS Y035	TRAFFIC SIGNAL INTER-CONNECT Y031-1F	TRAFFIC SIGNALS Y031-1F War Memorial Dr/Sterling/Glen	TRAFFIC SIGNALS Y031-1F War Memorial Dr/Scenic Dr	TRAFFIC SIGNALS Y031-1F Scenic Dr/Mall Entrance	
28000500	INLET AND PIPE PROTECTION	EACH	237	96	141													
50100300	REMOVAL OF EXISTING STRUCTURES * 1	EACH	1					1										
50100500	REMOVAL OF EXISTING STRUCTURES * 3	EACH	1						1									
50104400	CONCRETE HEADWALL REMOVAL	EACH	30	22	9													
50300310	ELASTOMERIC BEARING ASSEMBLY, TYPE I	EACH	48			6	18	24										
50300320	ELASTOMERIC BEARING ASSEMBLY, TYPE II	EACH	8					8										
50500505	STUD SHEAR CONNECTORS	EACH	1,224			1,038					186							
51203200	TEST PILE METAL SHELLS	EACH	6			1	1	4										
51500100	NAME PLATES	EACH	11			1	1	1			8							
60100060	CONCRETE HEADWALL FOR PIPE DRAINS	EACH	55		55													
60234200	INLET, TYPE A, TYPE 1 FRAME, OPEN LID	EACH	3	3														
60236600	INLET, TYPE A, TYPE 9 FRAME AND GRATE	EACH	2		2													
60240210	INLET, TYPE B, TYPE 1 FRAME, OPEN LID	EACH	25	20	5													
60240303	INLET, TYPE B, TYPE 9 FRAME AND GRATE	EACH	6		6													
60247130	DRAINAGE STRUCTURES, TYPE 1 WITH ONE TYPE 20 FRAME & GRATE	EACH	15	4	11													
60247140	DRAINAGE STRUCTURES, TYPE 2 WITH ONE TYPE 22 FRAME & GRATE	EACH	1		1													
60255500	MANHOLES TO BE ADJUSTED	EACH	20	8	12													
60257900	MANHOLES TO BE RECONSTRUCTED	EACH	1		1													
60500040	REMOVING MANHOLES	EACH	8	4	4													
60500050	REMOVING CATCH BASINS	EACH	2	2														
60500060	REMOVING INLETS	EACH	41	11	30													
61000115	TYPE E INLET BOX, STANDARD 610001	EACH	3		3													
63100045	TRAFFIC BARRIER TERMINAL, TYPE 2	EACH	1		1													
63100085	TRAFFIC BARRIER TERMINAL, TYPE 6	EACH	7		7													
63100167	TRAFFIC BARRIER TERMINAL TYPE 1, SPECIAL (TANGENT)	EACH	5	1	4													
63100169	TRAFFIC BARRIER TERMINAL TYPE 1, SPECIAL (FLARED)	EACH	3		3													
66600105	FURNISHING AND ERECTING RIGHT-OF-WAY MARKERS	EACH	24	13	11													
66700205	PERMANENT SURVEY MARKERS TYPE I	EACH	3			1	1	1										
66700305	PERMANENT SURVEY MARKERS TYPE II	EACH	1	1														
73700300	REMOVE CONCRETE FOUNDATION- OVERHEAD	EACH	2	2														
72400100	REMOVE SIGN PANEL ASSEMBLY TYPE A	EACH	2		2													
72400200	REMOVE SIGN PANEL ASSEMBLY TYPE B	EACH	49	22	27													
78100100	RAISED REFLECTIVE PAVEMENT MARKER	EACH	774	182	592													
80500200	SERVICE INSTALLATION, TYPE B	EACH	2															1

FOR INFORMATION ONLY



REVISIONS	
NAME	DATE
	01/31/05

ILLINOIS DEPARTMENT OF TRANSPORTATION
 BILL OF MATERIALS
 WAR MEMORIAL DRIVE
 FAI ROUTE 74 (I-74) (WB)
 PLAN SET #1
 DRAWN BY CADD
 CHECKED BY RSC
 DATE 11/12/04

F.A. RTE.	SECTION	COUNTY	TOTAL SHEETS	SHEET NO.
74	(72-7R-3)	PEORIA	1360	24
STA.	TO STA.			
FED. ROAD DIST. NO.	ILLINOIS	FED. AID PROJECT		

SET * - BILL OF MATERIALS FOR INFORMATION ONLY					URBAN IM												
					90 % FED 10 % STATE							90 % FED 5 % STATE 5% CITY		90 % FED 10 % STATE			
					ROADWAY 1000-2A	ROADWAY J000-2A	BRIDGE (1) X271-2A	BRIDGE (2) X281-2A	BRIDGE (3) X781-2A	BRIDGE (4) X028-2A	MINOR STRUCTURES (5) Y007	OVERHEAD SIGNS Y002-1C	LIGHTING Y030-1E	ITS Y035	TRAFFIC SIGNAL INTER-CONNECT Y031-1F	TRAFFIC SIGNALS Y031-1F	TRAFFIC SIGNALS Y031-1F
(WMD)	(I-74)	A3	B3/B5	B1/B4	Culvert >20	Culvert <20, R Wall					War Memorial Dr/Sterling/Glen	War Memorial Dr/Scenic Dr	Scenic Dr/Mall Entrance				
CODE NO.	PAY ITEM	UNIT	TOTAL QUANTITY														
81400400	CONCRETE HANDHOLE	EACH	18								10		5	3			
81400600	CONCRETE DOUBLE HANDHOLE	EACH	2										1	1			
82102400	LUMINAIRE, SODIUM VAPOR, HORIZONTAL MOUNT, 400 WATT	EACH	7										4	3			
85700200	FULL - ACTUATED CONTROLLER AND TYPE IV CABINET	EACH	3									1	1	1			
86400100	TRANSCEIVER - FIBER OPTIC	EACH	2										1	1			
87900200	DRILL EXISTING HANDHOLE	EACH	3								3						
88200110	TRAFFIC SIGNAL BACKPLATE, LOUVERED	EACH	17										11	6			
88800100	PEDESTRIAN PUSH-BUTTON	EACH	6											6			
89000100	TEMPORARY TRAFFIC SIGNAL INSTALLATION	EACH	2										1	1			
89502375	REMOVE EXISTING TRAFFIC SIGNAL EQUIPMENT	EACH	2										1	1			
89502380	REMOVE EXISTING HANDHOLE	EACH	13										8	5			
89502385	REMOVE EXISTING CONCRETE FOUNDATION	EACH	10										5	5			
M2010110	TREE REMOVAL 16 TO 15 UNITS DIAMETER	UNIT	4,931	3,731	1,200												
M2010500	TREE REMOVAL, HECTARES	HECTARE	2.0	0.3	1.7												
M2020010	EARTH EXCAVATION	CU M	121,628	3,048	118,580												
M2021200	REMOVAL AND DISPOSAL OF UNSUITABLE MATERIAL	CU M	1,058							1,058							
M2040800	FURNISHED EXCAVATION	CU M	22,127	5,513	16,614												
M2070220	POROUS GRANULAR EMBANKMENT	CU M	16,074			562	552				14,960						
M2080250	TRENCH BACKFILL, SPECIAL	CU M	1,067	358	709												
M2101000	GEOTECHNICAL FABRIC FOR GROUND STABILIZATION	SQ M	76,307.0	56.0	76,251.0												
M2113100	TOP SOIL FURNISH AND PLACE, 100MM	SQ M	106,474	21,786	84,688												
M2500210	SEEDING, CLASS 2A	HA	9.7	1.2	8.5												
M2500350	SEEDING, CLASS 7	HA	8.5		8.5												
M2500400	NITROGEN FERTILIZER NUTRIENT	KILOGRAM	971	124	847												
M2500500	PHOSPHORUS FERTILIZER NUTRIENT	KILOGRAM	971	124	847												
M2500600	POTASSIUM FERTILIZER NUTRIENT	KILOGRAM	971	124	847												
M2510115	MULCH, METHOD 2	HECTARE	8.5		8.5												
M2510125	MULCH, METHOD 3	HECTARE	9.7	1.2	8.5												
M2510630	EROSION CONTROL BLANKET	SQ M	12		12												
M2520110	SODDING, SALT TOLERANT	SQ M	9,389	9,389													
M2520200	SUPPLEMENTAL WATERING	UNIT	3,000	3,000													
M2800900	FENCE (EROSION CONTROL)	METER	2,350	290	2,060												
M2810103	STONE RIPRAP, CLASS A2	SQ M	50		50												
M2810109	STONE RIPRAP, CLASS A5	SQ M	1,139								1,139						

FOR INFORMATION ONLY



REVISIONS	
NAME	DATE
	01/31/05

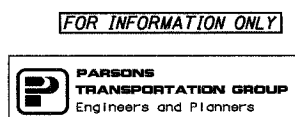
ILLINOIS DEPARTMENT OF TRANSPORTATION
 BILL OF MATERIALS
 WAR MEMORIAL DRIVE
 FAI ROUTE 74 (I-74) (WB)
 PLAN SET #1
 DRAWN BY CADD
 CHECKED BY RSC
 DATE 11/12/04

F.A. RTE.	SECTION	COUNTY	TOTAL SHEETS	SHEET NO.
74	(72-7R-3)	PEORIA	1360	25
STA.	TO STA.			
FED. ROAD DIST. NO.	ILLINOIS FED. AID PROJECT			

SET * - BILL OF MATERIALS FOR INFORMATION ONLY					URBAN IM												
					90 % FED 10 % STATE					90 % FED 5 % STATE 5% CITY		90 % FED 10 % STATE					
CODE NO.	PAY ITEM	UNIT	TOTAL QUANTITY	ROADWAY 1000-2A (WMD)	ROADWAY J000-2A (I-74)	BRIDGE (1) X271-2A A3	BRIDGE (2) X281-2A B3/B5	BRIDGE (3) X781-2A B1/B4	BRIDGE (4) X028-2A Culvert >20	MINOR STRUCTURES (5) Y007 Culvert <20, R Wall	OVERHEAD SIGNS Y002-1C	LIGHTING Y030-1E	ITS Y035	TRAFFIC SIGNAL INTER-CONNECT Y031-IF	TRAFFIC SIGNALS Y031-IF War Memorial Dr/Sterling/Olen	TRAFFIC SIGNALS Y031-IF War Memorial Dr/Scenic Dr	TRAFFIC SIGNALS Y031-IF Scenic Dr/Mall Entrance
M281011	STONE RIPRAP, CLASS A6	SQ M	59		59												
M2810125	STONE RIPRAP, CLASS B3	SQ M	309		309												
M2820100	FILTER FABRIC FOR USE WITH RIPRAP	SQ M	1,448		309					1,139							
M2850300	ARTICULATED BLOCK MAT	SQ M	312.8		312.8												
M3110010	SUB-BASE GRANULAR MATERIAL, TYPE A	M TON	4,892	4,892													
M311010	SUB-BASE GRANULAR MATERIAL, TYPE B	M TON	252	252													
M3530240	PORTLAND CEMENT CONCRETE BASE COURSE 240MM	SQ M	8,206	8,206													
M4060200	BITUMINOUS MATERIAL (PRIME COAT)	M TON	260.4	81.6	178.8												
M4060300	AGGREGATE (PRIME COAT)	M TON	42.4	42.4													
M4060980	BITUMINOUS SURFACE REMOVAL-BUTT JOINT	SQ M	1,337	1,337													
M4202255	PORTLAND CEMENT CONCRETE PAVEMENT 250MM (JOINTED)	SQ M	27,932	1,134	26,798												
M4205200	PROTECTIVE COAT	SQ M	100,313	7,358	92,955												
M4205050	BRIDGE APPROACH PAVEMENT (SPECIAL)	SQ M	827	827													
M4210290	CONTINUOUSLY REINFORCED PORTLAND CEMENT CONCRETE PAVEMENT 290 MM	SQ M	26,691	26,691													
M4214290	PAVEMENT REINFORCEMENT 230MM	SQ M	26,691	26,691													
M4401015	BITUMINOUS SURFACE REMOVAL (COLD MILLING)	SQ M	38,282	38,282													
M4402000	PAVEMENT REMOVAL	SQ M	69,633	141	69,492												
M4402040	COMBINATION CURB AND GUTTER REMOVAL	METER	3,902	3,902													
M4402050	SIDEWALK REMOVAL	SQ M	90	90													
M4402420	MEDIAN REMOVAL	SQ M	1,329	1,329													
M4402530	PAVED SHOULDER REMOVAL	SQ M	22,672	5,376	17,296												
M4405000	PAVED DITCH REMOVAL	METER	1,036	365	671												
M4426225	CLASS B PATCHES, TYPE II, 250 MM	SQ M	767	767													
M4429400	SAW CUTS	METER	1,704	1,704													
M4430020	STRIP REFLECTIVE CRACK CONTROL TREATMENT	METER	2,168	2,168													
M4812000	AGGREGATE SHOULDERS, TYPE B	M TON	9,156		9,156												
M4820000	BITUMINOUS SHOULDERS	M TON	1,471	1,471													
M4830250	PORTLAND CEMENT CONCRETE SHOULDERS - 250 MM	SQ M	16,143		16,143												
M4830290	PORTLAND CEMENT CONCRETE SHOULDERS - 290 MM	SQ M	15,026		15,026												
M5010430	CONCRETE HEADWALL REMOVAL	CU M	154.8	44.2	110.6					95.0							
M5010521	REMOVE EXISTING CULVERTS	METER	47	23	24					24							
M5010522	PIPE CULVERT REMOVAL	METER	87		87					87							
M5020100	STRUCTURE EXCAVATION	CU M	6,281.0			1,283	2,782			2,216							
M5030105	NEOPRENE EXPANSION JOINT 50 MM	METER	74.6			24.4	25.5	24.7									

REVISIONS	
NAME	DATE
	01/31/05

ILLINOIS DEPARTMENT OF TRANSPORTATION
 BILL OF MATERIALS
 WAR MEMORIAL DRIVE
 FAI ROUTE 74 (I-74) (WB)
 PLAN SET #1
 DRAWN BY CADD
 CHECKED BY RSC
 DATE 11/12/04



F.A. RTE.	SECTION	COUNTY	TOTAL SHEETS	SHEET NO.
74	(72-7)R-3	PEORIA	1360	26
STA.		TO STA.		
FED. ROAD DIST. NO.		ILLINOIS FED. AID PROJECT		

SET * - BILL OF MATERIALS FOR INFORMATION ONLY					URBAN IM										
					90 % FED 10 % STATE						90 % FED 5 % STATE 5% CITY		90 % FED 10 % STATE		
					ROADWAY 1000-2A	ROADWAY J000-2A	BRIDGE (1) X271-2A	BRIDGE (2) X281-2A	BRIDGE (3) X781-2A	BRIDGE (4) X028-2A	MINOR STRUCTURES (5) Y007	OVERHEAD SIGNS Y002-1C	LIGHTING Y030-1E	ITS Y035	TRAFFIC SIGNAL INTER-CONNECT Y031-1F
UNIT	TOTAL QUANTITY	(WMD)	(I-74)	A3	B3/B5	B1/B4	Culvert >20	Culvert <20, R Wall				War Memorial Dr/Sterling/Glen	War Memorial Dr/Scenic Dr	Scenic Dr/Mall Entrance	
M5030125	NEOPRENE EXPANSION JOINT 100 MM	METER	51.9				25.5	26.4							
M5030350	CONCRETE STRUCTURES	CU M	2,971.4			77.2	962.4	1,215.0			716.8				
M5030360	CONCRETE SUPERSTRUCTURE	CU M	1,505.7			89.4	483.0	729.8			203.5				
M5030390	BRIDGE DECK GROOVING	SQ M	3,842			269	1,422	2,151							
M5030450	PROTECTIVE COAT	SQ M	4,916			338	1,896	2,722							
M5040914	FURNISHING AND ERECTING PRECAST PRESTRESSED CONCRETE I-BEAMS S14 MM	METER	123.4				123.4								
M504067	FURNISHING AND ERECTING PRECAST PRESTRESSED CONCRETE I-BEAMS 1067 MM	METER	161.5					161.5							
M5050105	FURNISHING AND ERECTING STRUCTURAL STEEL	L SUM	1			1									
M5050405	FURNISHING AND ERECTING STRUCTURAL STEEL	KILOGRAM	4,190				1,370	2,820							
M5070209	UNTREATED TIMBER LAGGING	SQ M	170								170				
M5070211	FURNISHING SOLDIER PILES (HP SECTION)	METER	360								360				
M5080105	REINFORCEMENT BARS	KILOGRAM	174,010								174,010				
M5080205	REINFORCEMENT BARS, EPOXY COATED	KILOGRAM	418,380			15,580	116,920	178,860			107,020				
M5110100	SLOPE WALL 100 MM	SQ M	975			111	399	465							
M5120100	FURNISHING METAL PILE SHELLS 305 MM	METER	716.0				150.0	566.0							
M5120115	FURNISHING METAL PILE SHELLS 356 MM	METER	1,703.0			437.0		1,266.0							
M5120160	FURNISHING STEEL PILES HP 310 X 79	METER	1,491.0				828.0	663.0							
M5120315	DRIVING STEEL PILES	METER	1,491.0				828.0	663.0							
M5120340	DRIVING AND FILLING SHELLS	METER	2,419.0			437.0	150.0	1,832.0							
M5120460	TEST PILE STEEL HP 310 X 79	EACH	2				1	1							
M5401225	PRECAST CONCRETE BOX CULVERT 3.6 M X 3.0 M	METER	55.0								55.0				
M5403000	CONCRETE BOX CULVERTS	CU M	1,460.1								1,460.1				
M542112	PRECAST REINFORCED CONCRETE FLARED END SECTIONS 300MM	EACH	16	4	12										
M542116	PRECAST REINFORCED CONCRETE FLARED END SECTIONS 375MM	EACH	4	2	2										
M542124	PRECAST REINFORCED CONCRETE FLARED END SECTIONS 525MM	EACH	3	1	2										
M542128	PRECAST REINFORCED CONCRETE FLARED END SECTIONS 600MM	EACH	4	1	3										
M542136	PRECAST REINFORCED CONCRETE FLARED END SECTIONS 750MM	EACH	2	1	1										
M542144	PRECAST REINFORCED CONCRETE FLARED END SECTIONS 900MM	EACH	2		2										
M542152	PRECAST REINFORCED CONCRETE FLARED END SECTIONS 1200MM	EACH	2	2											
M5420035	GRATING FOR CONCRETE FLARED END SECTION 600MM	EACH	4	1	3										
M5420045	GRATING FOR CONCRETE FLARED END SECTION 750MM	EACH	2	1	1										
M5420055	GRATING FOR CONCRETE FLARED END SECTION 900MM	EACH	2		2										
M5420065	GRATING FOR CONCRETE FLARED END SECTION 1200MM	EACH	2	2											
M5500030	STORM SEWERS, CLASS A, TYPE 1 300MM	METER	706.5	334.0	372.5										

FOR INFORMATION ONLY



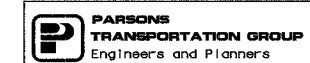
REVISIONS	
NAME	DATE
	01/31/05

ILLINOIS DEPARTMENT OF TRANSPORTATION
 BILL OF MATERIALS
 WAR MEMORIAL DRIVE
 FAI ROUTE 74 (I-74) (WB)
 PLAN SET #1
 DRAWN BY CADD
 CHECKED BY RSC
 DATE 11/12/04

F.A. RTE.	SECTION	COUNTY	TOTAL SHEETS	SHEET NO.
74	(72-7)R-3	PEORIA	1360	27
STA.		TO STA.		
FED. ROAD DIST. NO.		ILLINOIS FED. AID PROJECT		

SET * - BILL OF MATERIALS FOR INFORMATION ONLY				URBAN IM													
				90 % FED 10 % STATE								90 % FED 5 % STATE 5% CITY		90 % FED 10 % STATE			
CODE NO.	PAY ITEM	UNIT	TOTAL QUANTITY	ROADWAY 1000-2A (WMD)	ROADWAY J000-2A (I-74)	BRIDGE (1) X271-2A A3	BRIDGE (2) X281-2A B3/B5	BRIDGE (3) X781-2A B1/B4	BRIDGE (4) X028-2A Culvert>20	MINOR STRUCTURES (5) Y007 Culvert<20, R Wall	OVERHEAD SIGNS Y002-1C	LIGHTING Y030-1E	ITS Y035	TRAFFIC SIGNAL INTER-CONNECT Y031-1F	TRAFFIC SIGNALS Y031-1F War Memorial Dr/Sterling/Gen	TRAFFIC SIGNALS Y031-1F War Memorial Dr/Scenic Dr	TRAFFIC SIGNALS Y031-1F Scenic Dr/Mall Entrance
M5500040	STORM SEWERS, CLASS A, TYPE 1 375MM	METER	51.5		41	10.4											
M5500050	STORM SEWERS, CLASS A, TYPE 1 450MM	METER	11.5			11.5											
M5500215	STORM SEWERS, CLASS B, TYPE 1 150MM	METER	25.5		4.5	21.0											
M5500430	STORM SEWERS, CLASS A, TYPE 2 300MM	METER	771.5		482.3	289.2											
M5500440	STORM SEWERS, CLASS A, TYPE 2 375MM	METER	108.5		85.5	23.0											
M5500450	STORM SEWERS, CLASS A, TYPE 2 450MM	METER	52.0		6.0	46.0											
M5500460	STORM SEWERS, CLASS A, TYPE 2 525MM	METER	107.0		56.0	51.0											
M5500465	STORM SEWERS, CLASS A, TYPE 2 600MM	METER	752.5		631.5	121.0											
M5500475	STORM SEWERS, CLASS A, TYPE 2 750MM	METER	114.5		86.0	28.5											
M5500485	STORM SEWERS, CLASS A, TYPE 2 900MM	METER	45.0		10.0	35.0											
M5500500	STORM SEWERS, CLASS A, TYPE 2 1200MM	METER	264.5		264.5												
M5510025	STORM SEWERS REMOVAL 300MM	METER	218		63	155											
M5510045	STORM SEWERS REMOVAL 450MM	METER	120		120												
M5510060	STORM SEWERS REMOVAL 600MM	METER	241		182	59											
M5510070	STORM SEWERS REMOVAL 750MM	METER	44		44												
M5510080	STORM SEWERS REMOVAL 900 MM	METER	51		51												
M5510095	STORM SEWERS REMOVAL 1200MM	METER	30		30												
M552A010	STORM SEWERS JACKED IN PLACE CLASS A, 300MM	METER	15.0		15												
M552A045	STORM SEWERS JACKED IN PLACE CLASS A, 600MM	METER	16.5		16.5												
M5870020	BRIDGE SEAT SEALER	SQ M	155			41	56	58									
M5910100	GEOCOMPOSITE WALL DRAIN	SQ M	181												181		
M6010080	FRENCH DRAINS	CU M	95.1												95.1		
M6010605	PIPE UNDERDRAINS 100 MM	METER	9,860.0			9,860.0											
M6010610	PIPE UNDERDRAINS 150 MM	METER	1,502.0			1,502.0											
M6010705	PIPE UNDERDRAINS 100 MM (SPECIAL)	METER	892.0			892.0											
M6021405	MANHOLES TYPE A, 1.2 M DIAMETER, TYPE 1, FRAME, OPEN LID	EACH	45		22	23											
M6021410	MANHOLES TYPE A, 1.2 M DIAMETER, TYPE 1, FRAME, CLOSED LID	EACH	4		1	3											
M6021445	MANHOLES TYPE A, 1.2 M DIAMETER, TYPE 9, FRAME & GRATE	EACH	4			4											
M6021605	MANHOLES TYPE A, 1.5 M DIAMETER, TYPE 1, FRAME, OPEN LID	EACH	17		14	3											
M6021805	MANHOLES TYPE A, 1.8 M DIAMETER, TYPE 1, FRAME, OPEN LID	EACH	8		6	2											
M6021810	MANHOLES TYPE A, 1.8 M DIAMETER, TYPE 1, FRAME, CLOSE LID	EACH	1			1											
M6060270	CONCRETE GUTTER, TYPE A (MODIFIED)	METER	1,147.0			1,147.0											
M6060500	COMBINATION CONCRETE CURB AND GUTTER, TYPE B 15.30	METER	2,209.2			2,209.2											
M6060700	COMBINATION CONCRETE CURB AND GUTTER, TYPE B 15.60	METER	1,348.1			1,348.1											

FOR INFORMATION ONLY



REVISIONS	
NAME	DATE
	01/31/05

ILLINOIS DEPARTMENT OF TRANSPORTATION
 BILL OF MATERIALS
 WAR MEMORIAL DRIVE
 FAI ROUTE 74 (I-74) (WB)
 PLAN SET #1
 DRAWN BY CADD
 CHECKED BY RSC
 DATE 11/12/04

F.A. RTE.	SECTION	COUNTY	TOTAL SHEETS	SHEET NO.
74	(72-7R-3)	PEORIA	1360	28
STA.		TO STA.		
FED. ROAD DIST. NO.		ILLINOIS	FED. AID PROJECT	

SET * - BILL OF MATERIALS FOR INFORMATION ONLY					URBAN IM										90 % FED 10 % STATE			90 % FED 5 % STATE 5% CITY		90 % FED 10 % STATE
					ROADWAY 1000-2A	ROADWAY J000-2A	BRIDGE (1) X271-2A	BRIDGE (2) X281-2A	BRIDGE (3) X781-2A	BRIDGE (4) X028-2A	MINOR STRUCTURES (5) Y007	OVERHEAD SIGNS Y002-1C	LIGHTING Y030-1E	ITS Y035	TRAFFIC SIGNAL INTER-CONNECT Y031-IF	TRAFFIC SIGNALS Y031-IF	TRAFFIC SIGNALS Y031-IF	TRAFFIC SIGNALS Y031-IF	War Memorial Dr/Sterling/Gen	War Memorial Dr/Scenic Dr
CODE NO.	PAY ITEM	UNIT	TOTAL QUANTITY	(WMD)	(I-74)	A3	B3/B5	B1/B4	Culvert>20	Culvert<20, R Wall										
M6061400	COMBINATION CONCRETE CURB AND GUTTER, TYPE B 22.30	METER	339.0	339.0																
M6061600	COMBINATION CONCRETE CURB AND GUTTER, TYPE B 22.60	METER	447.0	447.0																
M6063090	COMBINATION CONCRETE CURB AND GUTTER, TYPE M SPECIAL	METER	121.9		121.9															
M6063300	PAVED DITCH, TYPE A-15	METER	65.0		65															
M6063600	CONCRETE MEDIAN SURFACE, 100 MM	SQ M	452.1	452.1																
M6064100	CONCRETE MEDIAN, TYPE SB-15.30	SQ M	301.7	301.7																
M6064600	CONCRETE MEDIAN, TYPE SB-22.30	SQ M	335.0	335.0																
M6300100	STEEL PLATE BEAM GUARDRAIL, TYPE A	METER	804.50	75.00	729.50															
M6320030	GUARDRAIL REMOVAL	METER	1,051		1,051															
M6370140	CONCRETE BARRIER, SINGLE FACE (MODIFIED)	METER	437.8		437.8															
M6370120	CONCRETE BARRIER, DOUBLE FACE (MODIFIED)	METER	129.0		129.0															
M6380600	MODULAR GLARE SCREEN SYSTEM	METER	1,840.0		1,840.0															
M6640100	CHAIN LINK FENCE, 1.2 METER	METER	121.0		121															
M6640480	CHAIN LINK GATES, 1.2 M X 3.3 M SINGLE	EACH	2		2															
M7030520	PAVEMENT MARKING TAPE, TYPE III 300MM	METER	43,474	21,101	22,373															
M7030550	PAVEMENT MARKING TAPE, TYPE III 200MM	METER	835		835															
M7031000	WORK ZONE PAVEMENT MARKING REMOVAL	SQ M	4,786	2,045	2,741															
M7040300	RELOCATE TEMPORARY CONCRETE BARRIER (STATE OWNED)	METER	436.00		436.00															
M7040400	TEMPORARY CONCRETE BARRIER (STATE OWNED)	METER	3,306.00		3,306.00															
M7210105	SIGN PANEL OVERLAY, SPECIAL	SQ M	45.82	40.84	4.98															
M7800105	THERMOPLASTIC PAVEMENT MARKING - LINE 100 MM	METER	5,015	5,391	24															
M7800115	THERMOPLASTIC PAVEMENT MARKING - LINE 150 MM	METER	1,334	1,334																
M7800120	THERMOPLASTIC PAVEMENT MARKING - LINE 200 MM	METER	2,949	2,909	40															
M7800125	THERMOPLASTIC PAVEMENT MARKING - LINE 300 MM	METER	523	523																
M7800140	THERMOPLASTIC PAVEMENT MARKING - LINE 600 MM	METER	151	151																
M7800600	EPOXY PAVEMENT MARKING - LETTERS AND SYMBOLS	SQ M	13	6	7															
M7802010	POLYUREA PAVEMENT MARKING TYPE 1 - LINE 100 MM	METER	22,816	145	22,671															
M7802015	POLYUREA PAVEMENT MARKING TYPE 1 - LINE 150 MM	METER	1,823	26	1,797															
M7802020	POLYUREA PAVEMENT MARKING TYPE 1 - LINE 200 MM	METER	3,450	103	3,347															
M7802030	POLYUREA PAVEMENT MARKING TYPE 1 - LINE 300 MM	METER	311	46	265															
M7802060	POLYUREA PAVEMENT MARKING TYPE 1 - LINE 600 MM	METER	40	29	11															
M8100260	CONDUIT IN TRENCH, 50 MM DIA, PVC	METER	1,473										1,265			118	90			
M8100270	CONDUIT IN TRENCH, 65 MM DIA, PVC	METER	22													10	12			
M8100290	CONDUIT IN TRENCH, 90 MM DIA, PVC	METER	130													85	45			

FOR INFORMATION ONLY



REVISIONS	
NAME	DATE
	01/31/05

ILLINOIS DEPARTMENT OF TRANSPORTATION
 BILL OF MATERIALS
 WAR MEMORIAL DRIVE
 FAI ROUTE 74 (I-74) (WB)
 PLAN SET #1
 DRAWN BY CADD
 CHECKED BY RSC
 DATE 11/12/04

F.A. RTE.	SECTION	COUNTY	TOTAL SHEETS	SHEET NO.
74	(72-7R-3)	PEORIA	1360	29
STA.	TO STA.			
FED. ROAD DIST. NO.	ILLINOIS		FED. AID PROJECT	

SET * - BILL OF MATERIALS FOR INFORMATION ONLY					URBAN IM											
					90 % FED 10 % STATE						90 % FED 5 % STATE 5% CITY		90 % FED 10 % STATE			
					ROADWAY 1000-2A	ROADWAY J000-2A	BRIDGE (1) X271-2A	BRIDGE (2) X281-2A	BRIDGE (3) X781-2A	BRIDGE (4) X028-2A	MINOR STRUCTURES (5) Y007	OVERHEAD SIGNS Y002-1C	LIGHTING Y030-1E	ITS Y035	TRAFFIC SIGNAL INTER-CONNECT Y031-1F	TRAFFIC SIGNALS Y031-1F
CODE NO.	PAY ITEM	UNIT	TOTAL QUANTITY	(WMD)	(I-74)	A3	B3/B5	B1/B4	Culvert >20	Culvert <20, R Wall			War Memorial Dr/Sterling/Glen	War Memorial Dr/Scenic Dr	Scenic Dr/Mall Entrance	
M8100300	CONDUIT IN TRENCH 100 MM DIA, PVC	METER	61													36
M8150200	TRENCH AND BACKFILL FOR ELECTRICAL WORK	METER	1,474									1,265		120		89
M8731220	ELECTRIC CABLE IN CONDUIT, SIGNAL NO. 14 3C	METER	150													150
M8731240	ELECTRIC CABLE IN CONDUIT, SIGNAL NO. 14 5C	METER	1,535													550
M8731250	ELECTRIC CABLE IN CONDUIT, SIGNAL NO. 14 7C	METER	280													110
M8750490	TRAFFIC SIGNAL POST GALVANIZED STEEL 4.25 METER	EACH	1													1
M8770025	STEEL MAST ARM ASSEMBLY AND POLE 6.70 METER	EACH	1													1
M8770730	STEEL COMBINATION MAST ARM ASSEMBLY AND POLE 7.92 METER	EACH	1													1
M8770740	STEEL COMBINATION MAST ARM ASSEMBLY AND POLE 9.14 METER	EACH	1													1
M8770755	STEEL COMBINATION MAST ARM ASSEMBLY AND POLE 10.97 METER	EACH	1													1
M8770765	STEEL COMBINATION MAST ARM ASSEMBLY AND POLE 12.19 METER	EACH	1													1
M8770777	STEEL COMBINATION MAST ARM ASSEMBLY AND POLE 14.02 METER	EACH	1													1
M8780100	CONCRETE FOUNDATION, TYPE A	METER	1.2													1.2
M8780200	CONCRETE FOUNDATION, TYPE D	METER	2.4													1.2
M8780400	CONCRETE FOUNDATION, TYPE E 750 MM DIAMETER	METER	6.0													3
MX030199	TEMPORARY PAVEMENT	SQ M	207						207							
MX030471	FORM LINER LIMESTONE SURFACE	SQ M	993							182	150		661			
MX030472	FORM LINER GRID AND FIN SURFACE	SQ M	1,382							216	194		972			
MX030473	FORM LINER PARAPET SURFACE	SQ M	140								140					
MX032083	GUARDRAIL AGGREGATE EROSION CONTROL	M TON	371		34											337
MX033109	DRILLING AND SETTING SOLDIER PILES	CU M	81.4										81.4			
MX033181	WATER DUST CONTROL	UNIT	395													395
MX033182	APPLY DUST SUPPRESSION AGENTS	UNIT	998													998
MX033183	SOIL STABILIZERS	KG	96,143													96,143
MX033192	AGGREGATE SUB-BASE	M TON	68,812													68,812
MX033194	WHITENASH	SQ M	88,069													88,069
MX033206	TEMPORARY SIGN PANEL OVERLAY	SQ M	13.32													13.32
MX033450	CONCRETE BARRIER, DOUBLE FACE (SPECIAL)	CU M	1,317.9													1,094.0
MX033460	WET TEMPORARY PAVEMENT MARKING TAPE TYPE III 100 MM	METER	835.0													835.0
MX032657	REMOVAL AND DISPOSAL OF TEMPORARY CONCRETE BARRIER	METER	4,484.00													4,484.00
MX402045	AGGREGATE SURFACE COURSE, TYPE B, 200 MM	SQ M	680													680
MX406064	POLYMERIZED BITUMINOUS CONCRETE SURFACE COURSE, SUPERPAVE, MIX "E", N70	M TON	3,717													3,717
MX406246	POLYMERIZED BITUMINOUS CONCRETE BINDER COURSE, SUPERPAVE, IL-19.0, N70	M TON	5,575													5,575
MX406295	BITUMINOUS CONCRETE BINDER COURSE, SUPERPAVE, IL 19.0 L (LOW ESAL)	M TON	26,904													26,904

FOR INFORMATION ONLY



REVISIONS	
NAME	DATE
	01/31/05

ILLINOIS DEPARTMENT OF TRANSPORTATION
 BILL OF MATERIALS
 WAR MEMORIAL DRIVE
 FAI ROUTE 74 (I-74) (WB)
 PLAN SET #1
 DRAWN BY CADD
 CHECKED BY RSC
 DATE 11/12/04

F.A. RTE.	SECTION	COUNTY	TOTAL SHEETS	SHEET NO.
74	(72-7)R-3	PEORIA	1360	30
STA.		TO STA.		
FED. ROAD DIST. NO.		ILLINOIS	FED. AID PROJECT	

SET * - BILL OF MATERIALS FOR INFORMATION ONLY					URBAN IM										90 % FED 10 % STATE			90 % FED 5 % STATE 5% CITY		90 % FED 10 % STATE	
					ROADWAY 1000-2A	ROADWAY J000-2A	BRIDGE (1) X271-2A	BRIDGE (2) X281-2A	BRIDGE (3) X781-2A	BRIDGE (4) X028-2A	MINOR STRUCTURES (5) Y007	OVERHEAD SIGNS Y002-1C	LIGHTING Y030-1E	ITS Y035	TRAFFIC SIGNAL INTER-CONNECT Y031-1F	TRAFFIC SIGNALS Y031-1F	TRAFFIC SIGNALS Y031-1F	TRAFFIC SIGNALS Y031-1F	War Memorial Dr/Sterling/Gen	War Memorial Dr/Scenic Dr	Scenic Dr/Mall Entrance
					(WMD)	(I-74)	A3	B3/B5	B1/B4	Culvert>20	Culvert<20, R Wall										
MX504002	FURNISHING AND ERECTING PRECAST PRESTRESSED CONCRETE BULB T-BEAMS 1829 MM	METER	1,445.1				598.6	846.5													
MX509025	ALUMINUM RAILING TYPE H (SPECIAL)	METER	666.0			68.0	183.5	257.0													
MX637105	CONCRETE BARRIER TRANSITION, SPECIAL	CU M	5.7		5.7																
MX637112	CONCRETE BARRIER TRANSITION (MODIFIED)	METER	19.0		19																
MX720100	TEMPORARY SIGN PANEL ASSEMBLY	SQ M	26.78	8.94	17.84																
MX721010	COMPOSITE TEMPORARY SIGN OVERLAY	SQ M	14.38	7.33	7.05																
MX817055	ELECTRIC CABLE IN CONDUIT, 600V 3-1/C NO. 6	METER	70													50	20				
MX817055	FIBER OPTIC CABLE IN CONDUIT, NO.62.5/125, MM12F SM12F	METER	2,165									2,165									
MX877019	STEEL COMBINATION MAST ARM ASSEMBLY AND POLE 16.46 METER	EACH	1													1					
MX877020	STEEL COMBINATION MAST ARM ASSEMBLY AND POLE 16.76 METER	EACH	1													1					
MX878030	CONCRETE FOUNDATION, TYPE E 900MM DIAMETER	METER	23.4													13.2	10.2				
MZ012000	CONCRETE BARRIER BASE	SQ M	104		104																
MZ012205	DOWEL BARS 38 MM	EACH	2,366	2,366																	
MZ021500	EXPANSION JOINT 75 MM	METER	30		30																
MZ022800	FENCE REMOVAL	METER	131		131																
MZ031105	MECHANICALLY STABILIZED EARTH RETAINING WALL	SQ M	1,706.0										1,706								
MZ031107	MECHANICALLY STABILIZED EARTH RETAINING WALL WITH CAST IN PLACE FACING	SQ M	1,577.0										1,577								
MZ047300	PROTECTIVE SHIELD	SQ M	1,444				978	466													
X0323336	LED SIGNAL FACE RETROFIT, RED BALL	EACH	14													14					
X0323337	LED SIGNAL FACE RETROFIT, GREEN BALL	EACH	14													14					
X0323339	LED SIGNAL FACE RETROFIT, WALK/DONT WALK SPECIAL	EACH	2													2					
X0323481	VIDEO VEHICLE DETECTION, 4 CAMERAS	EACH	2													1	1				
X0323418	LED SIGNAL FACE RETROFIT, YELLOW BALL	EACH	14													14					
X0324134	BATTERY BACKUP SYSTEM WITH CABINET	EACH	3													1	1				
X0323419	LED SIGNAL FACE RETROFIT, YELLOW ARROW	EACH	14													14					
X0323420	LED SIGNAL FACE RETROFIT, GREEN ARROW	EACH	14													14					
X0323483	LED SIGNAL FACE RETROFIT, RED ARROW	EACH	8													8					
X0323677	STREET SWEEPING	HOUR	482		482																
X0323678	DUST CONTROL PADS	EACH	2		2																
X0323778	DRAINAGE SCUPPERS, TYPE 1	EACH	6			2	4														
X0323779	DRAINAGE SCUPPERS, TYPE 2	EACH	12				4	8													
X0323989	REINSTALL TEMPORARY SIGN PANEL ASSEMBLY	EACH	16	7	9																
X7015000	CHANGEABLE MESSAGE SIGN	CAL MD	24		24																
X8800020	SIGNAL HEAD, LED, 1 - FACE, 3 - SECTION, MAST ARM MOUNTED	EACH	16													10	6				

FOR INFORMATION ONLY



REVISIONS	
NAME	DATE
	01/31/05

ILLINOIS DEPARTMENT OF TRANSPORTATION
 BILL OF MATERIALS
 WAR MEMORIAL DRIVE
 FAI ROUTE 74 (I-74) (WB)
 PLAN SET #1
 DRAWN BY CADD
 CHECKED BY RSC
 DATE 11/12/04

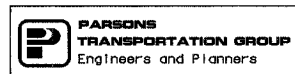
F.A. RTE.	SECTION	COUNTY	TOTAL SHEETS	SHEET NO.
74	(72-7)R-3	PEORIA	1360	30A
STA.		TO STA.		
FED. ROAD DIST. NO.		ILLINOIS FED. AID PROJECT		

SET # - BILL OF MATERIALS FOR INFORMATION ONLY					URBAN IM										90 % FED 10 % STATE			90 % FED 5 % STATE 5% CITY		90 % FED 10 % STATE	
					ROADWAY I000-2A	ROADWAY J000-2A	BRIDGE (1) X271-2A	BRIDGE (2) X281-2A	BRIDGE (3) X781-2A	BRIDGE (4) X028-2A	MINOR STRUCTURES (5) Y007	OVERHEAD SIGNS Y002-1C	LIGHTING Y030-1E	ITS Y035	TRAFFIC SIGNAL INTER-CONNECT Y031-1F	TRAFFIC SIGNALS Y031-1F	TRAFFIC SIGNALS Y031-1F	TRAFFIC SIGNALS Y031-1F	War Memorial Dr/Sterling/Olen	War Memorial Dr/Scenic Dr	Scenic Dr/Mall Entrance
					(WMD)	(I-74)	A3	B3/B5	B1/B4	Culvert+20	Culvert+20, R Wall										
X8800035	SIGNAL HEAD, LED, 1 - FACE, 3 - SECTION, BRACKET MOUNTED	EACH	9														5	4			
X8800038	SIGNAL HEAD, LED, 1 - FACE, 4 - SECTION, MAST ARM MOUNTED	EACH	1															1			
X8800040	SIGNAL HEAD, LED, 1 - FACE, 5 - SECTION, BRACKET MOUNTED	EACH	4															3	1		
X8810610	PEDESTRIAN SIGNAL HEAD, LED, 1 - FACE, BRACKET MOUNTED	EACH	6																6		
Z0002600	BAR SPLICERS	EACH	250			78	84	88													
Z0030130	IMPACT ATTENUATORS, (PARTIALLY REDIRECTIVE) TEST LEVEL 3	EACH	1		1																
Z0030250	IMPACT ATTENUATORS, TEMPORARY (NON - REDIRECTIVE) TEST LEVEL 3	EACH	3		3																
*4001612	PIPE CULVERTS, CLASS A .2750 MM DIAMETER (JACKED)	METER	191.0																191.0		

- SPECIALTY ITEMS
+ FUND CODE SFTY-3N
++ FUND CODE Y080
+++ FUND CODE SFTY-3C
0 NON PARTICIPATING

(1) RAMP A-3 OVER RAMP B-5, SN 072-0172
(2) RAMPS B-3 & B-5 OVER US 150 & RAMP B-6, SN 072-0190
(3) RAMPS B-1 & B-4 OVER RAMPS A-3, B-3 & I-74, SN 072-0183
(5) Wall 8, SN 072-8556, Wall 8A, SN 072-8557, Wall 9, SN 072-8558, Wall 10, SN 072-8559, Wall 11, SN 072-8560, Wall 12, SN 072-8561, SN 072-2504, SN 072-2025, Wall 12B, DIFFERENTIAL HEIGHT BARRIER, BOX CULVERT, SN 072-2032

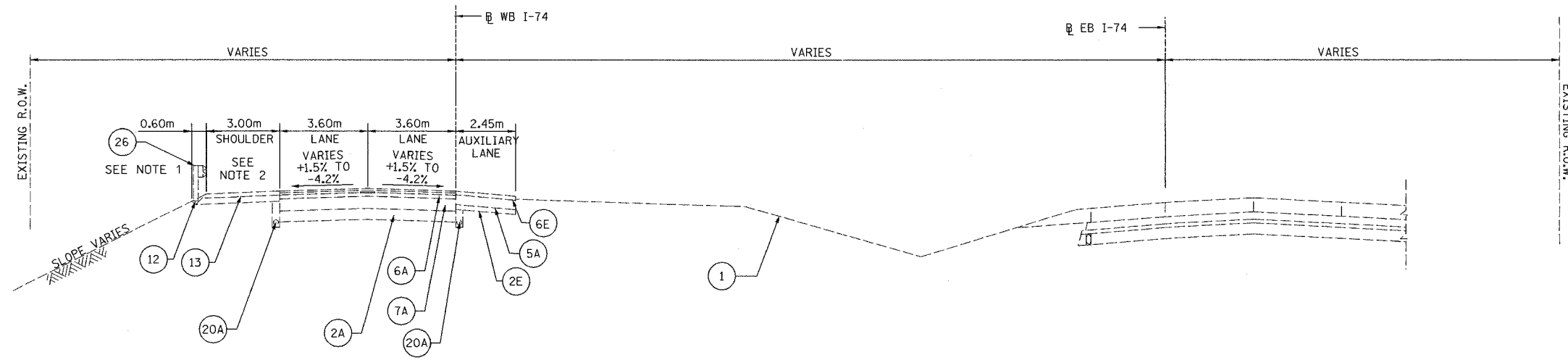
FOR INFORMATION ONLY



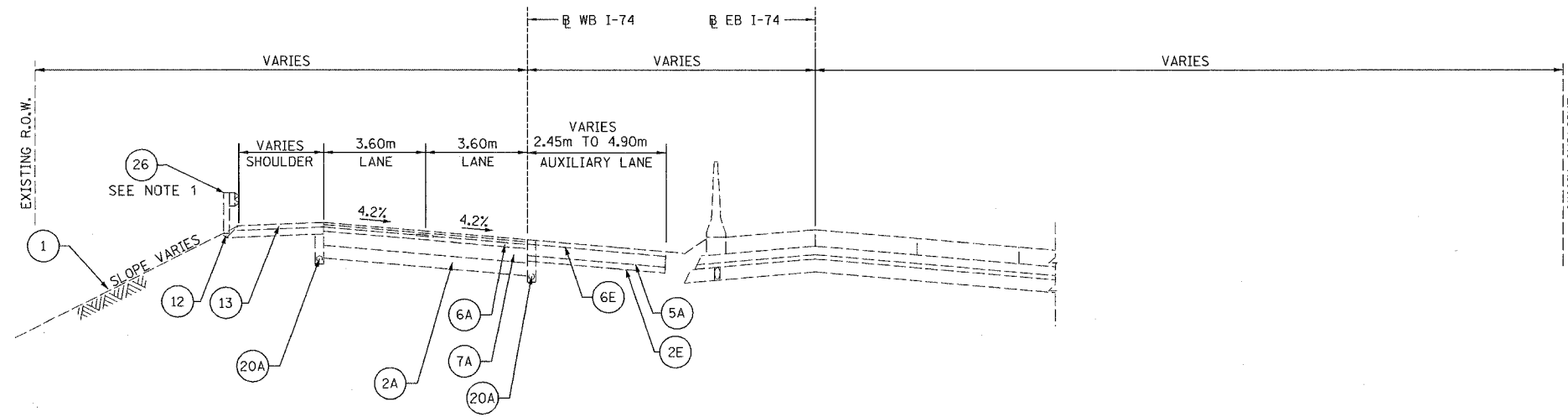
REVISIONS	
NAME	DATE
	01/31/05

ILLINOIS DEPARTMENT OF TRANSPORTATION
BILL OF MATERIALS
WAR MEMORIAL DRIVE
FAI ROUTE 74 (I-74) (WB)
PLAN SET #1
DRAWN BY CADD
CHECKED BY RSC
DATE 11/12/04

F.A. RTE.	SECTION	COUNTY	TOTAL SHEETS	SHEET NO.
74	(72-7)R-3	PEORIA	1300	31
STA.		TO STA.		
FED. ROAD DIST. NO.		ILLINOIS FED. AID PROJECT		



TYPICAL SECTION-01
EXISTING FAI ROUTE 74
STA. 141+900.000 (WB) TO 142+900.000 (WB)



TYPICAL SECTION-02
EXISTING FAI ROUTE 74
STA. 142+900.000 (WB) TO 144+718.000 (WB)

LEGEND:

- 1 EX GROUND LINE
- 2A EX SUB-BASE GRANULAR MATERIAL, 150 mm
- 2E EX AGGREGATE BASE COURSE, 100mm
- 5A EX BITUMINOUS BASE COURSE, 200mm
- 6E EX BITUMINOUS CONCRETE SURFACE COURSE, 38mm
- 6A EX BITUMINOUS RESURFACING, 75 mm
- 7A EX PORTLAND CEMENT CONCRETE PAVEMENT, 250 mm
- 12 EX AGGREGATE SHOULDERS
- 13 EX BITUMINOUS SHOULDERS
- 20A EX PIPE UNDERDRAINS 100 mm
- 26 EX GUARDRAIL
- 27 EX CONCRETE BARRIER

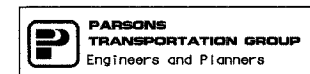
NOTES:

1. EXISTING GUARDRAIL BETWEEN:
STA. 142+600 AND STA. 142+950
STA. 143+175 AND STA. 143+360

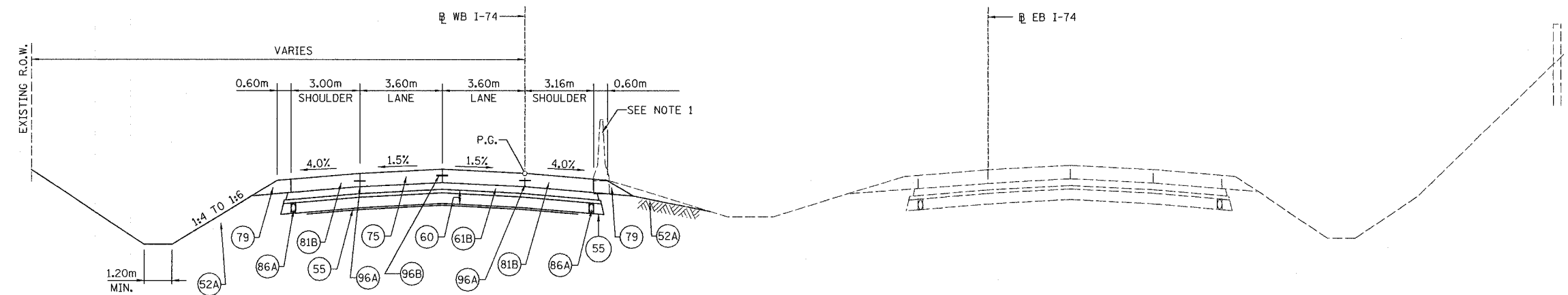
EXISTING TCB (NOT SHOWN) IN LIEU OF GUARDRAIL BETWEEN:
STA 144+150 AND STA 144+718
2. BETWEEN STA 142+200 AND 142+610, WITHIN THE RAMP A-4 ENTRANCE TERMINAL (NOT SHOWN), SHOULDER IS 1.8m

REVISIONS	
NAME	DATE

ILLINOIS DEPARTMENT OF TRANSPORTATION
TYPICAL SECTIONS
FAI ROUTE 74 (I-74) (WB)
EXISTING MAINLINE
DRAWN BY CADD
CHECKED BY KJW
DATE 11/12/04



F.A. RTE.	SECTION	COUNTY	TOTAL SHEETS	SHEET NO.
74	(72-7)R-3	PEORIA	1360	32
STA.		TO STA.		
FED. ROAD DIST. NO.	ILLINOIS	FED. AID PROJECT		



TYPICAL SECTION-03
 FAI ROUTE 74
 STA. 141+900.000 TO STA. 142+200.000 WB

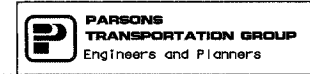
LEGEND:

- (52A) PR TOPSOIL, FURNISH AND PLACE, 100mm
- (54) PR POROUS GRANULAR EMBANKMENT
- (55) PR GEOTECHNICAL FABRIC FOR GROUND STABILIZATION
- (60) PR AGGREGATE SUB-BASE, 300 mm
- (61B) PR BITUMINOUS CONCRETE BINDER COURSE
 SUPERPAVE IL-19.0L (LOW ESAL), 150 mm
- (75) PR CONTINUOUSLY REINFORCED PORTLAND CEMENT
 CONCRETE PAVEMENT, 290 mm
- (79) PR AGGREGATE SHOULDERS, TYPE B
- (81B) PR PORTLAND CEMENT CONCRETE SHOULDERS 290 mm
- (83) PR NOISE BARRIER
- (86A) PR PIPE UNDERDRAINS 100 mm
- (86B) PR PIPE UNDERDRAINS 150 mm
- (91) PR STEEL PLATE BEAM GUARDRAIL
- (92A) PR CONCRETE BARRIER, DOUBLE FACE
- (96A) PR LONGITUDINAL CONTRUCTION JOINT
- (96B) PR SAWED LONGITUDINAL JOINT

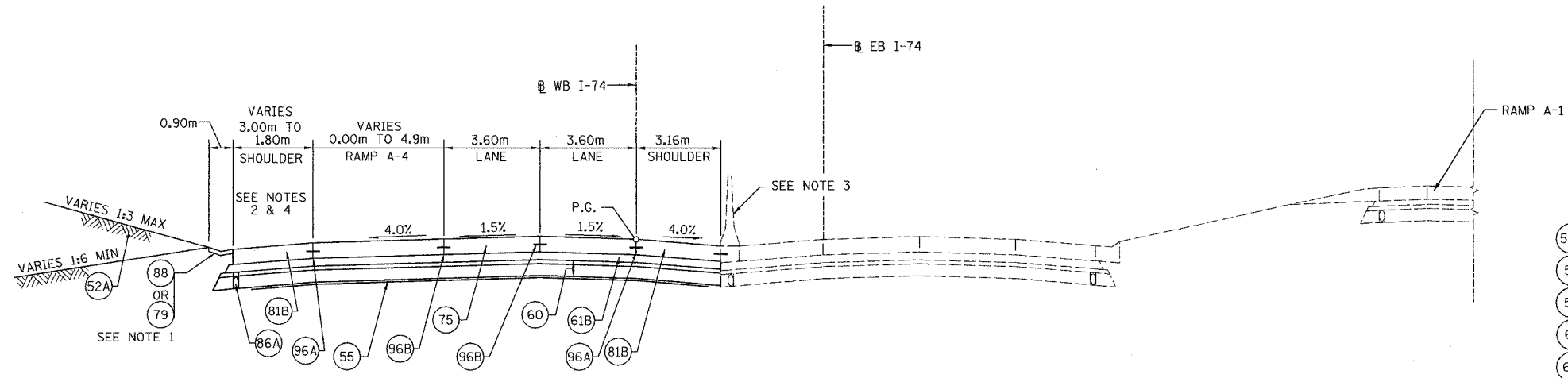
NOTE:
 1. PROPOSED SHOULDER TO BE FROM STA. 141+900.00 TO STA. 142+027.173
 EXISTING MEDIAN BARRIER STA. 142+027.173 TO STA. 142+200.000.

REVISIONS	
NAME	DATE

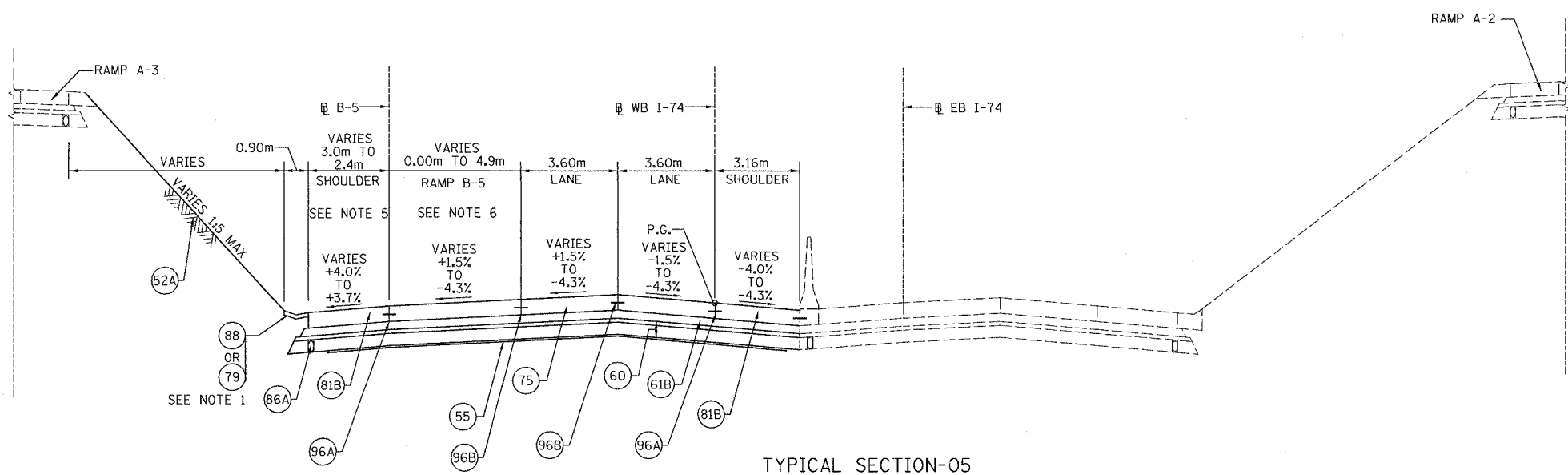
ILLINOIS DEPARTMENT OF TRANSPORTATION
 TYPICAL SECTIONS
 FAI ROUTE 74 (I-74) (WB)
 PROPOSED MAINLINE
 DRAWN BY CADD
 DATE 11/12/04
 CHECKED BY MWP



F.A. RTE.	SECTION	COUNTY	TOTAL SHEETS	SHEET NO.
74	(72-7)R-3	PEORIA	1360	33
STA.		TO STA.		
FED. ROAD DIST. NO.		ILLINOIS	FED. AID PROJECT	



TYPICAL SECTION-04
FAI ROUTE 74
STA. 142+200.000 WB TO 142+877.831 WB



TYPICAL SECTION-05
FAI ROUTE 74
STA. 142+877.831 WB TO 143+137.760 WB

LEGEND:

- (52A) PR TOPSOIL, FURNISH AND PLACE, 100mm
- (54) PR POROUS GRANULAR EMBANKMENT
- (55) PR GEOTECHNICAL FABRIC FOR GROUND STABILIZATION
- (60) PR AGGREGATE SUB-BASE, 300 mm
- (61B) PR BITUMINOUS CONCRETE BINDER COURSE SUPERPAVE IL-19.0L (LOW ESAL), 150 mm
- (75) PR CONTINUOUSLY REINFORCED PORTLAND CEMENT CONCRETE PAVEMENT, 290 mm
- (79) PR AGGREGATE SHOULDERS, TYPE B
- (81B) PR PORTLAND CEMENT CONCRETE SHOULDERS, 290 mm
- (86A) PR PIPE UNDERDRAINS, 100 mm
- (86B) PR PIPE UNDERDRAINS, 150 mm
- (88) PR CONCRETE GUTTER, TYPE A (MODIFIED)
- (92A) PR CONCRETE BARRIER, DOUBLE FACE
- (96A) PR LONGITUDINAL CONSTRUCTION JOINT
- (96B) PR SAWED LONGITUDINAL JOINT

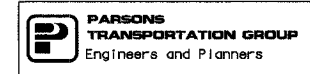
NOTES:

1. PROPOSED CONCRETE GUTTER, TYPE A (MODIFIED) APPLIES BETWEEN STA. 142+690.000 (WB) AND STA. 142+900.000, WB. AGGREGATE SHOULDER, TYPE B APPLIES AT OTHER LOCATIONS.
2. RAMP A-4 BEGINS AT STA. 142+205.039 (WB) AND ENDS AT STA. 142+495.028 (WB). FOR DETAILS SEE RAMP A-4 TYPICAL SECTION.
3. PROPOSED CONCRETE MEDIAN BARRIER, DOUBLE FACE APPLIES BETWEEN STA.142+350.000 (WB) AND STA. 142+500.000 (WB).
4. SHOULDER TRANSITIONS FROM 3.0m AT STA. 142+200.000 (WB) TO 1.8m AT STA. 142+250.014 (WB), AND MERGES INTO RAMP A-4 SHOULDER AT STA. 142+495.028 (WB). 3.0m SHOULDER RESUMES BEYOND THE GORE OF RAMP A-4 AT STA. 142+610.793 (WB).
5. SHOULDER TRANSITIONS FROM 3.0M AT STA. 142+879.623 (WB) TO 2.4m AT STA. 142+903.689 (WB).
6. PROPOSED PAVEMENT TRANSITIONS FROM STA. 142+879.993 (WB) - STA. 143+137.760 (WB)

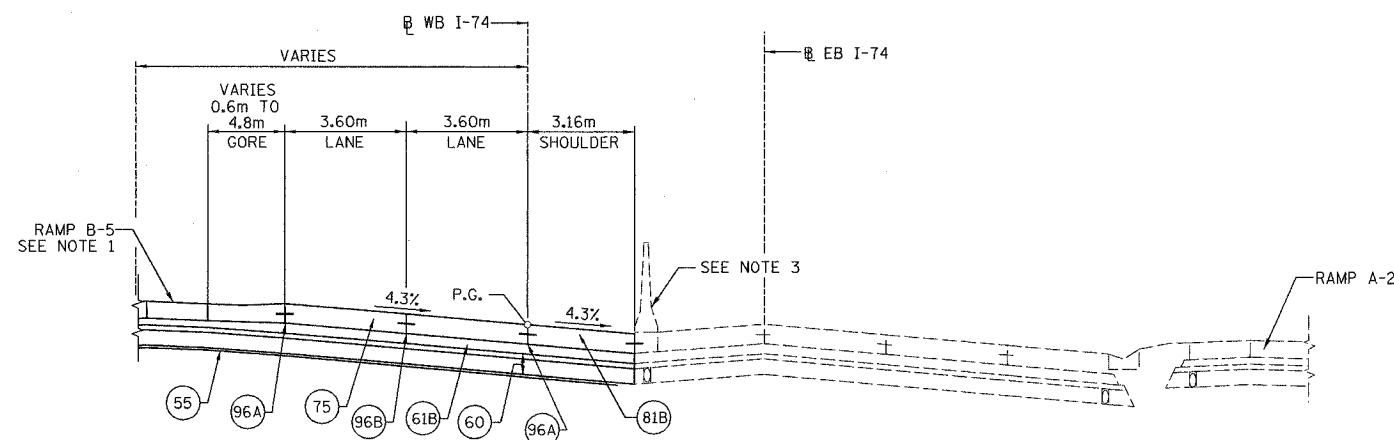
7. MEDIAN PIPE UNDERDRAINS TO OUTLET INTO MEDIAN STORM SEWER SYSTEM.
8. OFFSET PIPE UNDERDRAINS TO AVOID CONFLICTS WITH BRIDGES, LIGHTING FOUNDATIONS AND DRAINAGE STRUCTURE ELEMENTS.

REVISIONS	
NAME	DATE

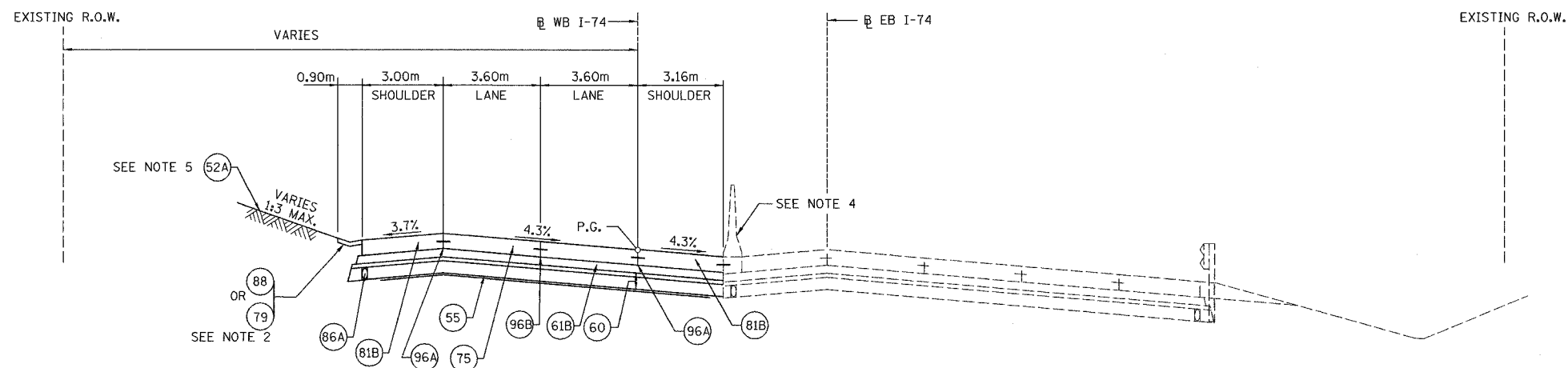
ILLINOIS DEPARTMENT OF TRANSPORTATION
TYPICAL SECTIONS
FAI ROUTE 74 (I-74) (WB)
PROPOSED MAINLINE
DRAWN BY CADD
CHECKED BY MWP
DATE 11/12/04



F.A. RTE.	SECTION	COUNTY	TOTAL SHEETS	SHEET NO.
74	(72-71R-3)	PEORIA	1360	34
STA.		TO STA.		
FED. ROAD DIST. NO.		ILLINOIS	FED. AID PROJECT	



TYPICAL SECTION-06
FAI ROUTE 74
STA. 143+137.760 WB TO STA. 143+324.636 WB



TYPICAL SECTION-7
FAI ROUTE 74
STA. 143+324.636 WB TO STA. 143+621.043 WB

LEGEND:

- (52A) PR TOPSOIL, FURNISH AND PLACE, 100mm
- (54) PR POROUS GRANULAR EMBANKMENT
- (55) PR GEOTECHNICAL FABRIC FOR GROUND STABILIZATION
- (60) PR AGGREGATE SUB-BASE, 300 mm
- (61B) PR BITUMINOUS CONCRETE BINDER COURSE SUPERPAVE IL-19.0L (LOW ESAL), 150 mm
- (75) PR CONTINUOUSLY REINFORCED PORTLAND CEMENT CONCRETE PAVEMENT, 290 mm
- (79) PR AGGREGATE SHOULDERS, TYPE B
- (81B) PR PORTLAND CEMENT CONCRETE SHOULDERS 290 mm
- (86A) PR PIPE UNDERDRAINS 100 mm
- (86B) PR PIPE UNDERDRAINS 150 mm
- (88) PR CONCRETE GUTTER, TYPE A (MODIFIED)
- (92A) PR CONCRETE BARRIER, DOUBLE FACE
- (96A) PR LONGITUDINAL CONSTRUCTION JOINT
- (96B) PR SAWED LONGITUDINAL JOINT

NOTES:

1. RAMP B-5 APPLIES BETWEEN STA. 142+879.993 (WB) AND STA. 143+325.00 (WB). FOR DETAILS SEE RAMP B-5 TYPICAL SECTION.
2. PROPOSED CONCRETE GUTTER, TYPE A (MODIFIED) APPLIES BETWEEN STA. 143+400.00 (WB) AND STA. 143+538.911 (WB). AGGREGATE SHOULDER, TYPE B APPLIES AT OTHER LOCATIONS.
3. PROPOSED CONCRETE MEDIAN BARRIER, DOUBLE FACE APPLIES BETWEEN STA. 143+100.000 (WB) AND STA. 143+320.000 (WB).
4. PROPOSED CONCRETE MEDIAN BARRIER, DOUBLE FACE APPLIES BETWEEN STA. 143+570.000 (WB) AND STA. 143+630.000 (WB).
5. RAMP A-3 APPLIES BETWEEN STA. 143+580.465 (WB) AND STA. 143+780.000 (WB). FOR DETAILS SEE RAMP A-3 TYPICAL SECTIONS.

6. MEDIAN PIPE UNDERDRAINS TO OUTLET INTO MEDIAN STORM SEWER SYSTEM.
7. OFFSET PIPE UNDERDRAINS TO AVOID CONFLICTS WITH BRIDGES, LIGHTING FOUNDATIONS AND DRAINAGE STRUCTURE ELEMENTS.

REVISIONS	
NAME	DATE

ILLINOIS DEPARTMENT OF TRANSPORTATION
TYPICAL SECTIONS
FAI ROUTE 74 (I-74) (WB)
PROPOSED MAINLINE

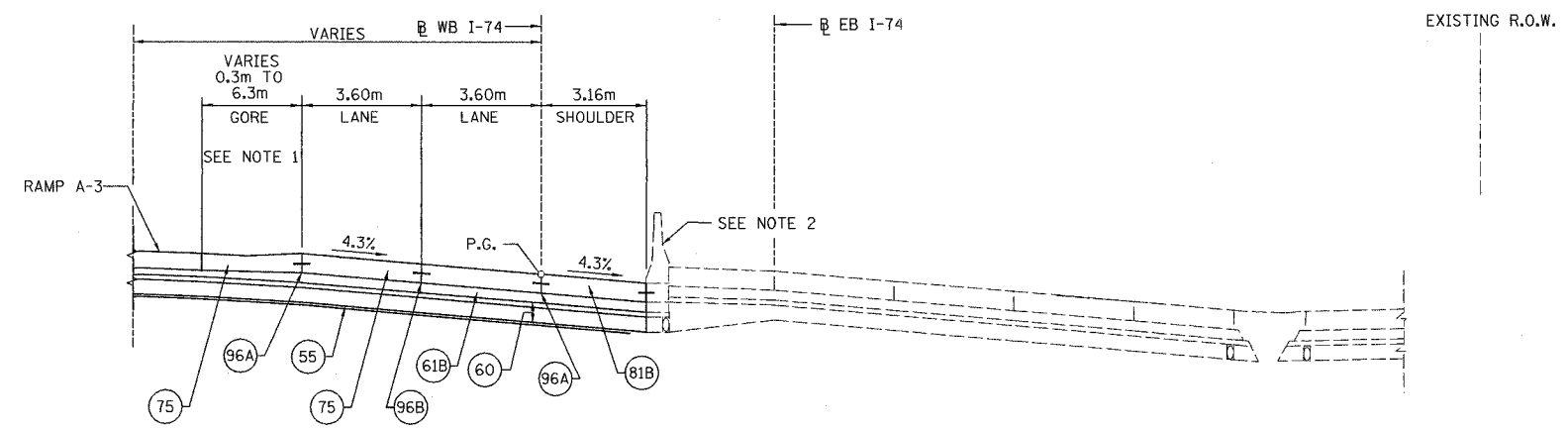
DRAWN BY CADD

CHECKED BY MWP

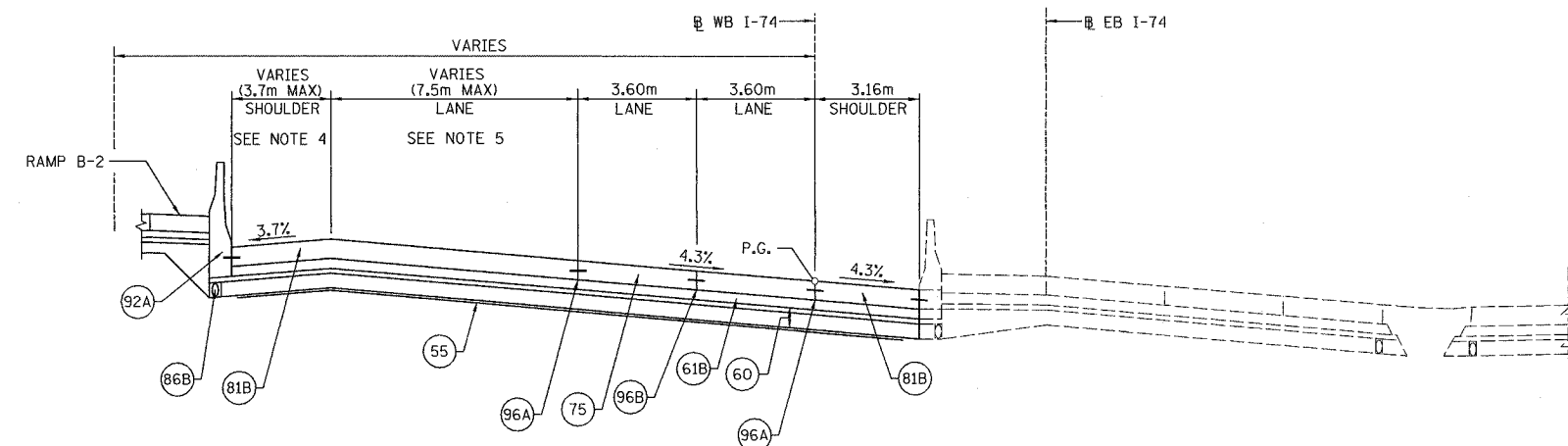
DATE 11/12/04



F.A. RTE.	SECTION	COUNTY	TOTAL SHEETS	SHEET NO.
74	(72-7)R-3	PEORIA	1340	35
STA.		TO STA.		
FED. ROAD DIST. NO.		ILLINOIS	FED. AID PROJECT	



TYPICAL SECTION-8
FAI ROUTE 74
STA. 143+621.043 WB TO 143+820.000 WB



TYPICAL SECTION-9
FAI ROUTE 74
STA. 143+820.000 WB TO 144+220.000 WB

LEGEND:

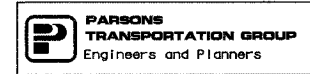
- 52A PR TOPSOIL, FURNISH AND PLACE, 100mm
- 54 PR POROUS GRANULAR EMBANKEMENT
- 55 PR GEOTECHNICAL FABRIC FOR GROUND STABILIZATION
- 60 PR AGGREGATE SUB-BASE, 300 mm
- 61B PR BITUMINOUS CONCRETE BINDER COURSE SUPERPAVE IL-19.0L (LOW ESAL), 150 mm
- 70 PR INCIDENTAL BITUMINOUS SURFACING
- 75 PR CONTINUOUSLY REINFORCED PORTLAND CEMENT CONCRETE PAVEMENT, 290 mm
- 79 PR AGGREGATE SHOULDERS, TYPE B
- 81B PR PORTLAND CEMENT CONCRETE SHOULDERS, 290 mm
- 86A PR PIPE UNDERDRAINS 100 mm
- 86B PR PIPE UNDERDRAINS 150 mm
- 88 PR CONCRETE GUTTER, TYPE A (MODIFIED)
- 92A PR CONCRETE BARRIER, DOUBLE FACE
- 96A PR LONGITUDINAL CONSTRUCTION JOINT
- 96B PR SAWED LONGITUDINAL JOINT

NOTES:

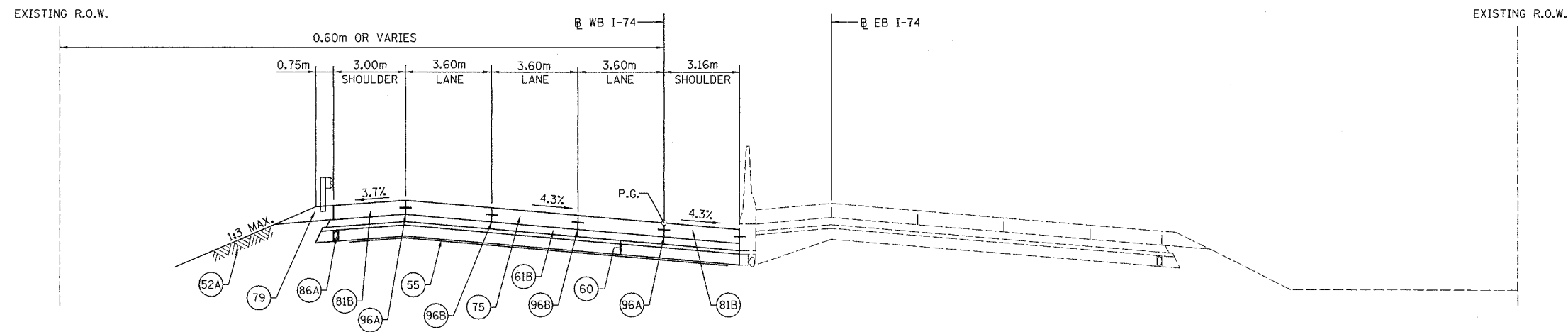
1. PROPOSED GORE VARIES FROM STA. 143+621.043(WB) TO STA. 143+730.577(WB). FROM STA. 143+730.577(WB) TO STA. 143+820.000(WB) SEE RAMP A-3 TYPICAL SECTION 1.
2. PROPOSED CONCRETE MEDIAN BARRIER, DOUBLE FACE APPLIES BETWEEN STA. 143+570.000 (WB) TO STA. 143+630.000 (WB)
3. PROPOSED CONCRETE MEDIAN BARRIER, DOUBLE FACE APPLIES BETWEEN STA. 143+580.465 (WB) TO STA. 144+029.947 (WB)
4. PROPOSED SHOULDER TRANSITION FROM 3.74m AT STA. 143+820(WB) TO 2.83m AT STA. 144+029.732(WB). GORE EXISTS BETWEEN STA. 144+029.732(WB) AND STA. 144+146.191(WB), VARYING BETWEEN 6.3m AND 0.3m. AT STA. 144+146.191(WB) SHOULDER RETURNS WITH A WIDTH OF 1.8m AND TRANSITIONS FROM 1.8m AT STA. 144+197.354(WB) TO 3.0m AT STA. 144+220.000(WB). SEE CONCRETE BARRIER LAYOUT DETAIL FOR LAYOUT OF BARRIER AND ADJACENT SHOULDERS.
5. PROPOSED 7.5m LANE IS INTRODUCED WITH THE DIVERGENCE OF RAMP B-2 FROM THE MAINLINE AT STA. 144+146.191(WB) AND TRANSITIONS TO 3.6m AT STA. 144+220.000(WB).
6. PROPOSED GUARDRAIL APPLIES BETWEEN STA. 144+152.220 TO STA. 144+718.000.
7. MEDIAN PIPE UNDERDRAINS TO OUTLET INTO MEDIAN STORM SEWER SYSTEM.
8. OFFSET PIPE UNDERDRAINS TO AVOID CONFLICTS WITH BRIDGES, LIGHTING FOUNDATIONS AND DRAINAGE STRUCTURE ELEMENTS.

REVISIONS	
NAME	DATE

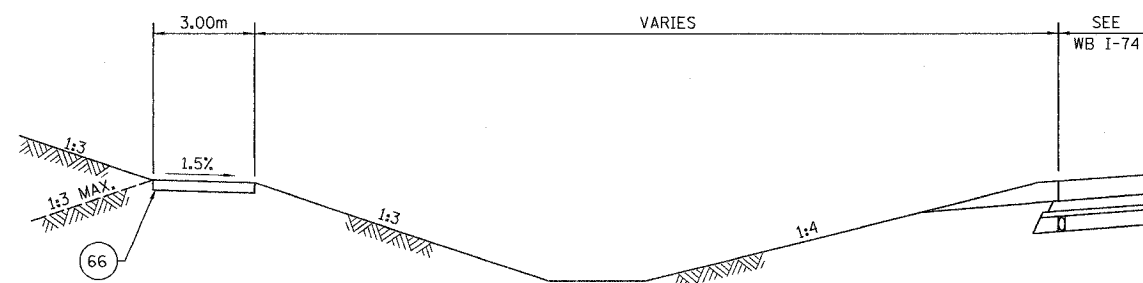
ILLINOIS DEPARTMENT OF TRANSPORTATION
TYPICAL SECTIONS
FAI ROUTE 74 (I-74) (WB)
PROPOSED MAINLINE
DRAWN BY CADD
CHECKED BY MWP
DATE 11/12/04



F.A. RTE.	SECTION	COUNTY	TOTAL SHEETS	SHEET NO.
74	(72-7)R-3	PEORIA	1360	36
STA.		TO STA.		
FED. ROAD DIST. NO.		ILLINOIS FED. AID PROJECT		



TYPICAL SECTION-10
FAI ROUTE 74
STA. 144+220.000 WB TO 144+718.000 WB



TYPICAL SECTION-11
ACCESS ROAD
STA. 144+134.035 WB TO 144+292.688 WB

LEGEND:

- 52A PR TOPSOIL, FURNISH AND PLACE, 100mm
- 54 PR POROUS GRANULAR EMBANKEMENT
- 55 PR GEOTECHNICAL FABRIC FOR GROUND STABILIZATION
- 60 PR AGGREGATE SUB-BASE, 300 mm
- 61B PR BITUMINOUS CONCRETE BINDER COURSE SUPERPAVE IL-19.0L (LOW ESAL), 150 mm
- 66 PR AGGREGATE SURFACE COURSE, TYPE B
- 70 PR INCIDENTAL BITUMINOUS SURFACING
- 75 PR CONTINUOUSLY REINFORCED PORTLAND CEMENT CONCRETE PAVEMENT, 290 mm
- 79 PR AGGREGATE SHOULDERS, TYPE B
- 81B PR PORTLAND CEMENT CONCRETE SHOULDERS 290 mm
- 86A PR PIPE UNDERDRAINS 100 mm
- 86B PR PIPE UNDERDRAINS 150 mm
- 88 PR CONCRETE GUTTER, TYPE A (MODIFIED)
- 92X PR CONCRETE BARRIER, DOUBLE FACE, VARIABLE HEIGHT
- 96A PR LONGITUDINAL CONSTRUCTION JOINT
- 96B PR SAWED LONGITUDINAL JOINT

NOTES:

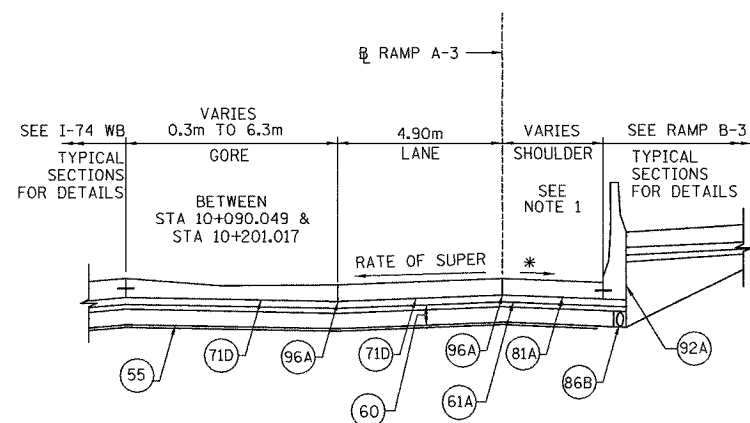
1. MEDIAN PIPE UNDERDRAINS TO OUTLET INTO MEDIAN STORM SEWER SYSTEM.
2. OFFSET PIPE UNDERDRAINS TO AVOID CONFLICTS WITH BRIDGES, LIGHTING FOUNDATIONS AND DRAINAGE STRUCTURE ELEMENTS.

REVISIONS	
NAME	DATE

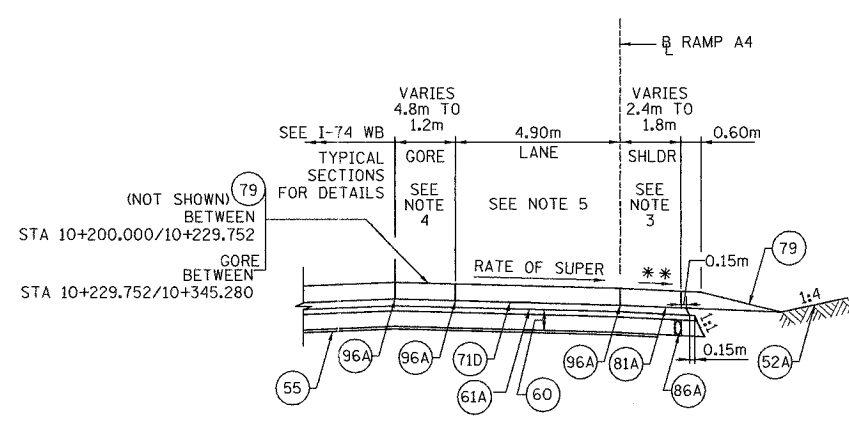
ILLINOIS DEPARTMENT OF TRANSPORTATION
TYPICAL SECTIONS
FAI ROUTE 74 (I-74) (WB)
PROPOSED MAINLINE
DRAWN BY CADD
CHECKED BY KJW
DATE 11/12/04



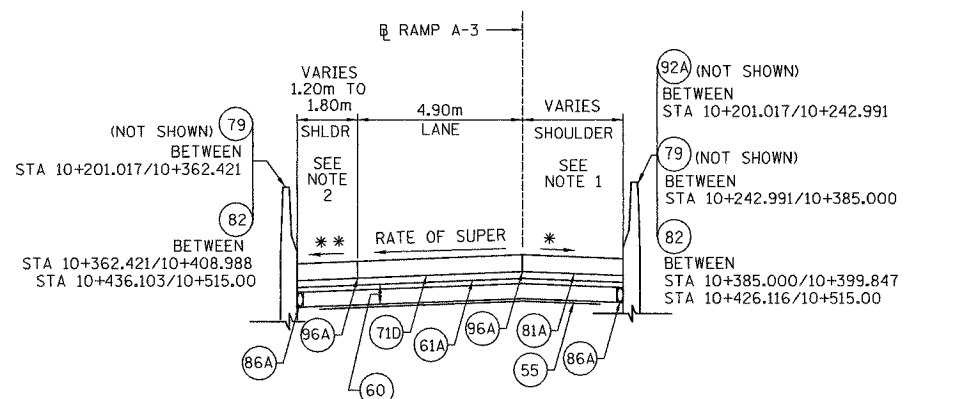
F.A. RTE.	SECTION	COUNTY	TOTAL SHEETS	SHEET NO.
74	(72-7)R-3	PEORIA	1360	37
STA.		TO STA.		
FED. ROAD DIST. NO.		ILLINOIS FED. AID PROJECT		



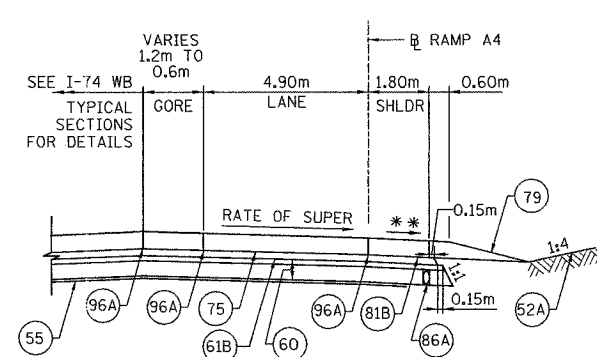
TYPICAL SECTION 1; RAMP A-3
SUPERELEVATED SECTION
STA. 10+000.000 TO STA. 10+201.017



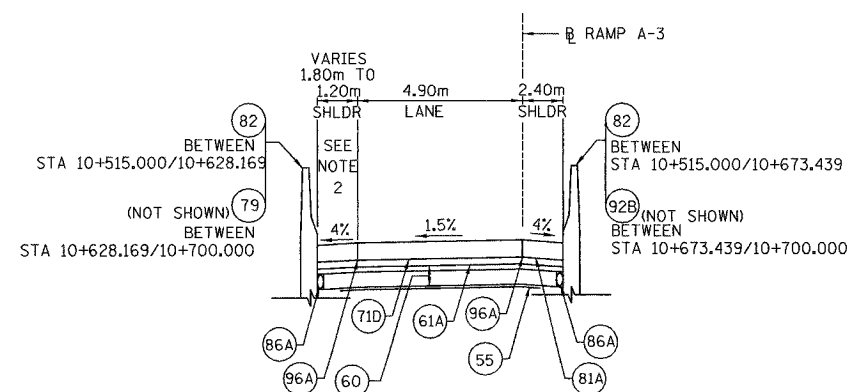
TYPICAL SECTION 1; RAMPS A-4
SUPERELEVATED SECTION
STA. 10+200.000 TO STA. 10+345.280



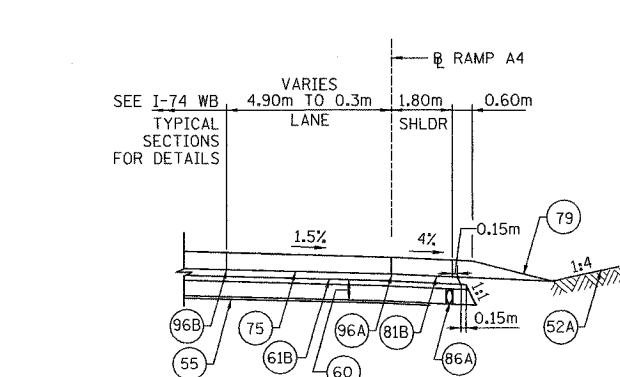
TYPICAL SECTION 2; RAMP A-3
SUPERELEVATED SECTION
STA. 10+201.017 TO STA. 10+515.000
(STA. 10+398.505 TO STA. 10+432.516-BRIDGE OMISSION)



TYPICAL SECTION 2; RAMPS A-4
SUPERELEVATED SECTION
STA. 10+345.280 TO STA. 10+375.000



TYPICAL SECTION 3; RAMP A-3
STA. 10+515.000 TO STA. 10+700.000



TYPICAL SECTION 3; RAMPS A-4
STA. 10+375.000 TO STA. 10+635.229

LEGEND:

- (52A) PR TOPSOIL, FURNISH AND PLACE, 100mm
- (55) PR GEOTECHNICAL FABRIC FOR GROUND STABILIZATION
- (60) PR AGGREGATE SUB-BASE, 300 mm
- (61A) PR BITUMINOUS CONCRETE BINDER COURSE SUPERPAVE IL-19.0L (LOW ESAL), 100 mm
- (71D) PR PORTLAND CEMENT CONCRETE PAVEMENT, 250 mm (JOINTED)
- (75) PR CONTINUOUSLY REINFORCED PORTLAND CEMENT CONCRETE, 290mm
- (79) PR AGGREGATE SHOULDERS, TYPE B
- (81A) PR PORTLAND CEMENT CONCRETE SHOULDERS 250 mm
- (81B) PR PORTLAND CEMENT CONCRETE SHOULDERS 290 mm
- (82) PR RETAINING WALL
- (86A) PR PIPE UNDERDRAINS 100 mm
- (86B) PR PIPE UNDERDRAINS 150 mm
- (92A) PR CONCRETE BARRIER, DOUBLE FACE
- (92B) PR CONCRETE BARRIER, SINGLE FACE
- (96A) PR LONGITUDINAL CONSTRUCTION JOINT
- (96B) PR SAWED LONGITUDINAL JOINT

NOTES:

1. RAMP A-3 RT SHOULDER WIDTHS;
BTW STA 10+000.000/10+041.534, VARIES 3.30m TO 2.83m
BTW STA 10+041.534/10+141.262, VARIES 2.83m TO 4.56m
BTW STA 10+141.262/10+242.656, VARIES 4.56m TO 3.90m
BTW STA 10+242.656/10+440.116, CONSTANT 1.8m
BTW STA 10+440.116/10+475.116, VARIES 1.8m TO 2.4m
BTW STA 10+475.116/10+700.000, CONSTANT 2.4m
2. RAMP A-3 LT SHOULDER WIDTHS;
BTW STA 10+201.017/10+449.394, CONSTANT 1.2m
BTW STA 10+449.394/10+484.393, VARIES 1.2m TO 1.8m
BTW STA 10+484.393/10+628.169, CONSTANT 1.8m
BTW STA 10+628.169/10+663.169, VARIES 1.8m TO 1.2m
BTW STA 10+663.169/10+700.000, CONSTANT 1.2m
3. RAMP A-4 RT SHOULDER WIDTHS;
BTW STA 10+200.000/10+210.000, VARIES 2.4m TO 1.8m
BTW STA 10+210.000/10+635.229, CONSTANT 1.8m
4. RAMP A-4 LT SHOULDER WIDTHS;
BTW STA 10+200.000/10+229.752, CONSTANT 1.2m
BTW STA 10+229.752/10+375.283, GORE
5. RAMP A-4 SUPERELEVATION TRANSITION;
BTW STA 10+245 (NOT SHOWN) TO STA 10+375

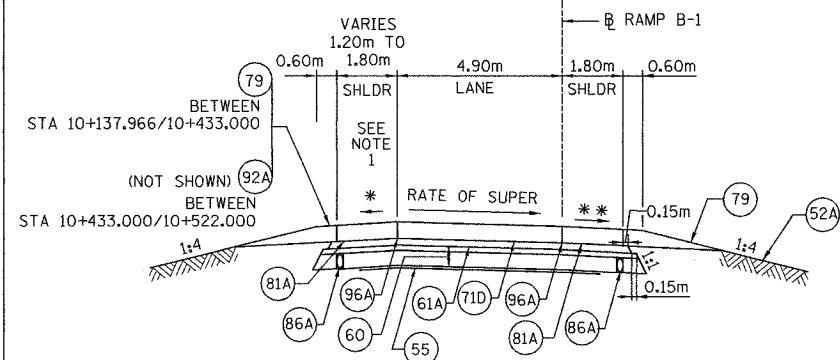
- * 4% OR 8% MINUS THE RATE OF SUPER, WHICHEVER IS MINIMUM.
- ** 4% MINIMUM OR RATE OF SUPER, WHICHEVER IS GREATER.

P:\643996\CIVIL\SHWB\TS0007-IAWB.DGN

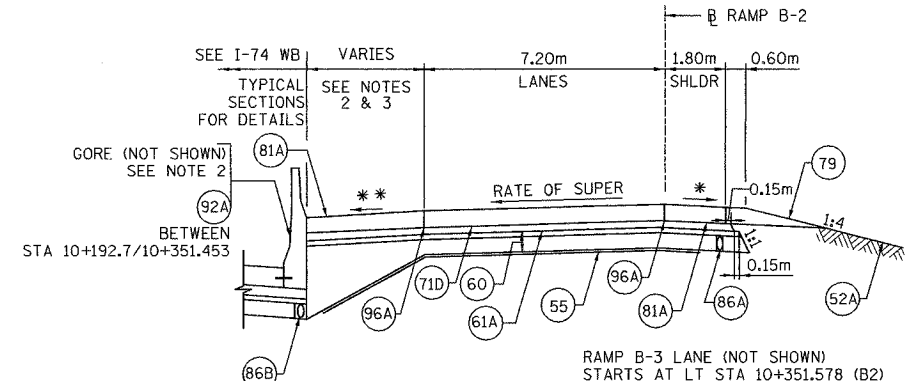
REVISIONS		ILLINOIS DEPARTMENT OF TRANSPORTATION TYPICAL SECTIONS FAI ROUTE 74 (I-74) (WB) PROPOSED RAMPS A-3 & A-4
NAME	DATE	
		DRAWN BY CADD CHECKED BY MKW DATE 11/12/04



F.A. RTE.	SECTION	COUNTY	TOTAL SHEETS	SHEET NO.
74	(72-7)R-3	PEORIA	1360	38
STA.		TO STA.		
FED. ROAD DIST. NO.		ILLINOIS FED. AID PROJECT		

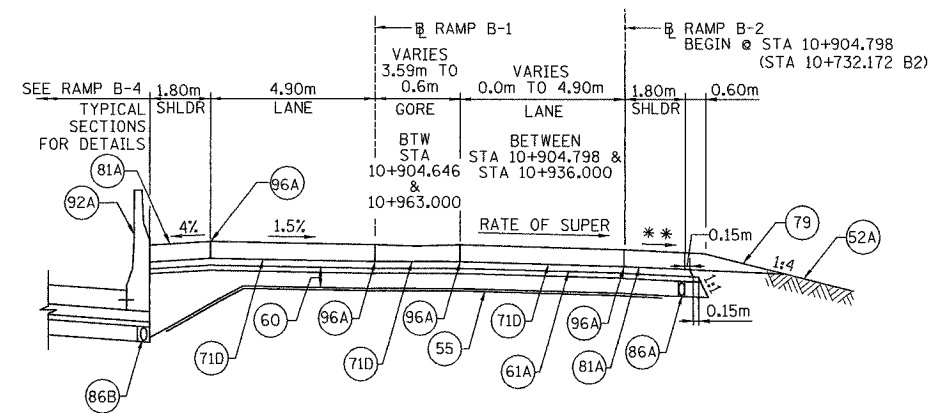


TYPICAL SECTION 1; RAMP B-1
SUPERELEVATED SECTION
STA. 10+137.966 TO STA. 10+522.000

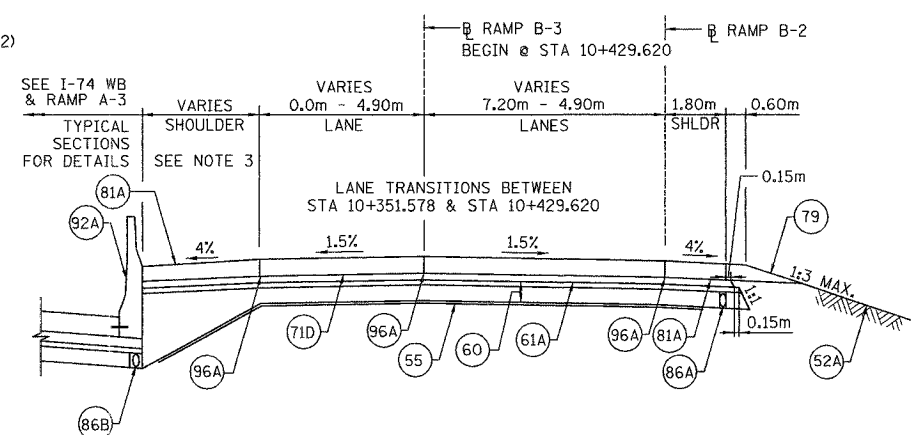


TYPICAL SECTION 1; RAMP B-2
SUPERELEVATED SECTION
STA. 10+074.334 TO STA. 10+352.000

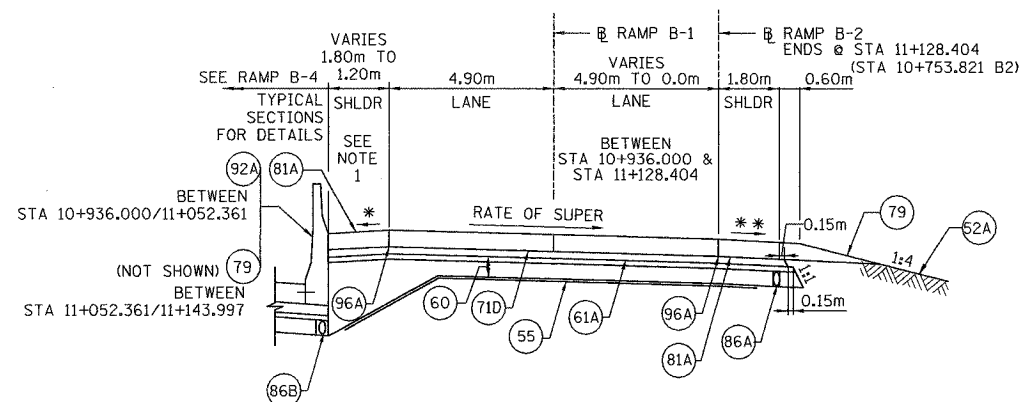
- LEGEND:**
- (52A) PR TOPSOIL, FURNISH AND PLACE, 100mm
 - (55) PR GEOTECHNICAL FABRIC FOR GROUND STABILIZATION
 - (60) PR AGGREGATE SUB-BASE, 300 mm
 - (61A) PR BITUMINOUS CONCRETE BINDER COURSE SUPERPAVE IL-19.OL (LOW ESAL), 100 mm
 - (71D) PR PORTLAND CEMENT CONCRETE PAVEMENT, 250 mm (JOINTED)
 - (79) PR AGGREGATE SHOULDERS, TYPE B
 - (81A) PR PORTLAND CEMENT CONCRETE SHOULDERS 250 mm
 - (81B) PR PORTLAND CEMENT CONCRETE SHOULDERS 290 mm
 - (82) PR RETAINING WALL
 - (86A) PR PIPE UNDERDRAINS 100 mm
 - (86B) PR PIPE UNDERDRAINS 150 mm
 - (92A) PR CONCRETE BARRIER, DOUBLE FACE
 - (96A) PR LONGITUDINAL CONSTRUCTION JOINT



TYPICAL SECTION 2; RAMP B-1
STA. 10+522.000 TO STA. 10+936.000
(STA. 10+716.585 TO STA. 10+842.264-BRIDGE OMISSION)



TYPICAL SECTION 2; RAMP B-2
STA. 10+352.000 TO STA. 10+429.620

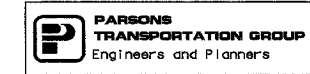


TYPICAL SECTION 3; RAMP B-1
SUPERELEVATED SECTION
STA. 10+936.000 TO STA. 11+143.997

- NOTES:**
- RAMP B-1 LT SHOULDER WIDTHS;
 - BTW STA 10+137.966/10+433.000, CONSTANT 1.2m
 - BTW STA 10+433.000/10+490.451, VARIES 3.96m TO 1.8m
 - BTW STA 10+490.451/11+052.361, CONSTANT 1.8m
 - BTW STA 11+052.361/11+058.744, VARIES 1.8m TO 1.2m
 - BTW STA 11+058.744/11+130.963, CONSTANT 1.2m
 - BTW STA 11+130.963/11+163.997, GORE B-1/WAR MEMORIAL
 - GORE WB I-74/B-2;
 - BTW LT STA 10+074.334/10+192.804, WIDTH VARIES 0.3m - 6.3m
 - CROSS SLOPE SHOWN DOES NOT APPLY, SEE GORE DETAILS.
 - (GORE IS ALIGNED WITH WB I-74)
 - RAMP B-2 LT SHOULDER WIDTHS
 - BTW STA 10+074.334/10+192.685, GORE
 - BTW STA 10+192.685/10+281.895, VARIES 2.78m TO 3.76m
 - BTW STA 10+281.895/10+336.057, VARIES 3.76m TO 3.48m
 - BTW STA 10+336.057/10+351.048, VARIES 3.48m TO 3.59m
 - BTW STA 10+351.048/10+429.620, VARIES 3.59m TO 2.92m

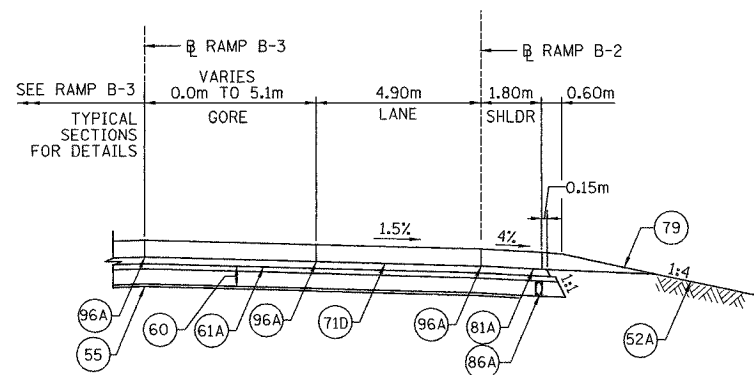
- 4% OR 8% MINUS THE RATE OF SUPER, WHICHEVER IS MINIMUM.
- 4% MINIMUM OR RATE OF SUPER, WHICHEVER IS GREATER.

P:\643996\CIVIL\SHWB\TS0007A-1AWB.DGN

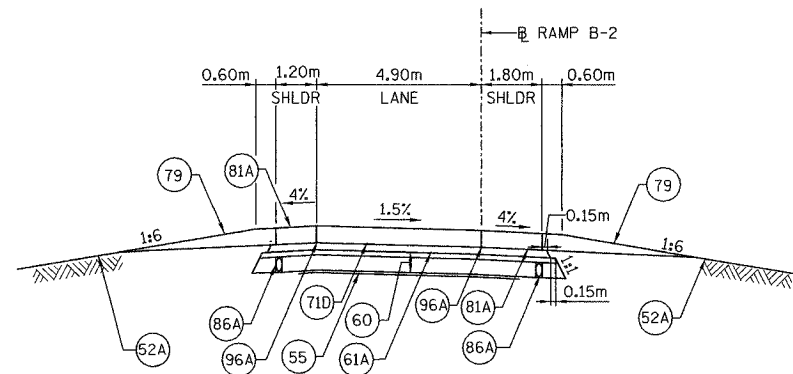


REVISIONS		ILLINOIS DEPARTMENT OF TRANSPORTATION
NAME	DATE	
		TYPICAL SECTIONS FAI ROUTE 74 (I-74) (WB) PROPOSED RAMPS B-1 & B-2 DRAWN BY CADD CHECKED BY MKW DATE 11/12/04

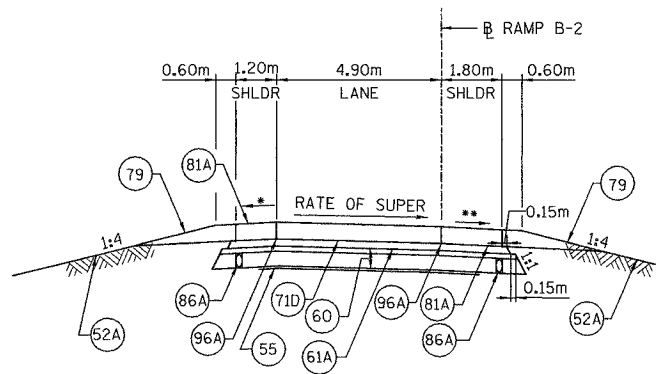
F.A. RTE.	SECTION	COUNTY	TOTAL SHEETS	SHEET NO.
T4	(72-71R-3)	PEORIA	1360	39
STA.		TO STA.		
FED. ROAD DIST. NO.		ILLINOIS FED. AID PROJECT		



TYPICAL SECTION 3; RAMP B-2
STA. 10+429.620 TO STA. 10+551.040
(STA. 10+000.000 TO STA. 10+121.168 RAMP B-3)



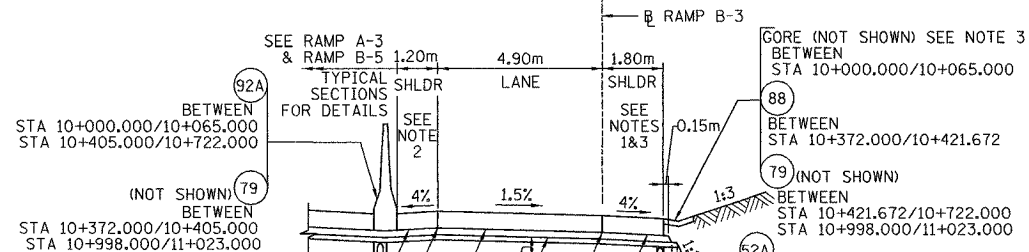
TYPICAL SECTION 4; RAMP B-2
STA. 10+551.040 TO STA. 10+600.000



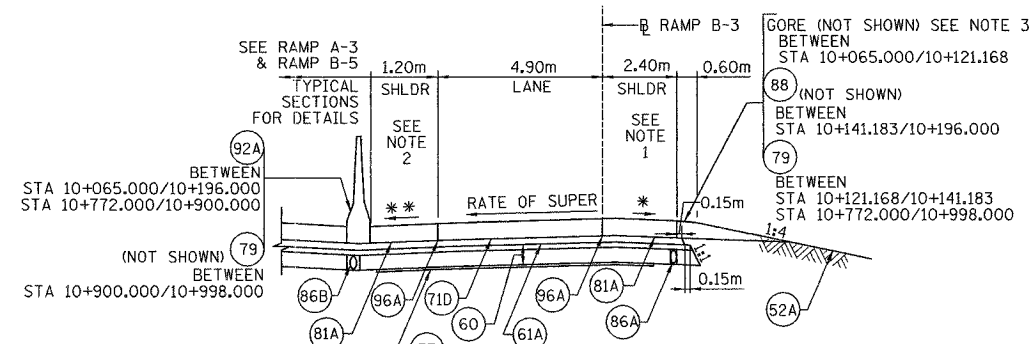
TYPICAL SECTION 5; RAMP B-2
SUPERELEVATED SECTION
STA. 10+600.000 TO STA. 10+732.172

B1/B2 GORE BETWEEN LT STA 10+732.172/10+789.603
TYPICAL SECTIONS BEYOND STA 10+732.172 ARE ON RAMP B-1 TYPICAL SECTIONS 2 & 3

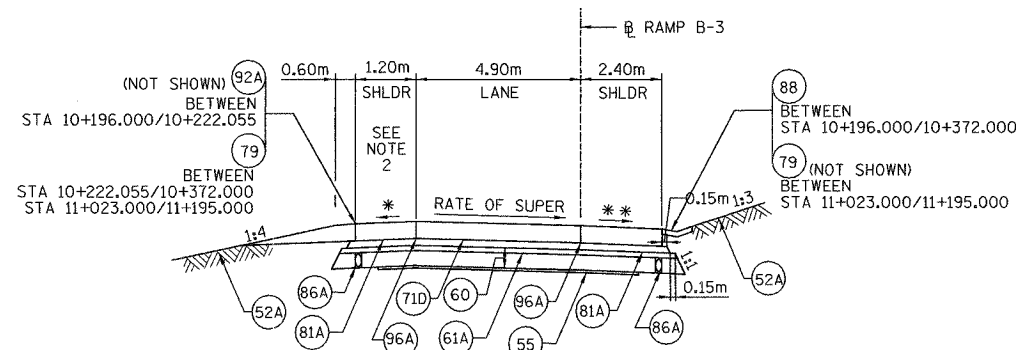
* 4% OR 8% MINUS THE RATE OF SUPER, WHICHEVER IS MINIMUM
** 4% MIN. OR RATE OF SUPER, WHICHEVER IS GREATER.



TYPICAL SECTION 1; RAMP B-3
STA. 10+000.000 TO STA. 10+065.000
STA. 10+372.000 TO STA. 10+722.000
(STA. 10+585.952 TO STA. 10+670.009- BRIDGE OMISSION)
STA. 10+998.000 TO STA. 11+023.000



TYPICAL SECTION 2; RAMP B-3
SUPERELEVATED SECTION
STA. 10+065.000 TO STA. 10+196.000
STA. 10+772.000 TO STA. 10+998.000



TYPICAL SECTION 3; RAMP B-3
SUPERELEVATED SECTION
STA. 10+196.000 TO STA. 10+372.000
STA. 11+023.000 TO STA. 11+195.000

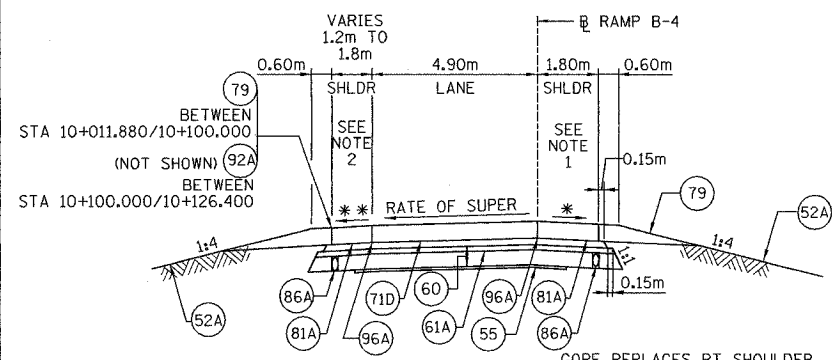
- LEGEND:**
- (52A) PR TOPSOIL, FURNISH AND PLACE, 100mm
 - (54) PR POROUS GRANULAR EMBANKMENT
 - (55) PR GEOTECHNICAL FABRIC FOR GROUND STABILIZATION
 - (60) PR AGGREGATE SUB-BASE, 300 mm
 - (61A) PR BITUMINOUS CONCRETE BINDER COURSE SUPERPAVE IL-19.0L (LOW ESAL), 100 mm
 - (71D) PR PORTLAND CEMENT CONCRETE PAVEMENT, 250 mm (JOINTED)
 - (79) PR AGGREGATE SHOULDERS, TYPE B
 - (81A) PR PORTLAND CEMENT CONCRETE SHOULDERS, 250 mm
 - (82) PR RETAINING WALL
 - (83) PR NOISE BARRIER
 - (86A) PR PIPE UNDERDRAINS, 100 mm
 - (86B) PR PIPE UNDERDRAINS, 150 mm
 - (88) PR CONCRETE GUTTER, TYPE A (MODIFIED)
 - (92A) PR CONCRETE BARRIER, DOUBLE FACE
 - (96A) PR LONGITUDINAL CONSTRUCTION JOINT

- NOTES**
- RAMP B-3 RT SHOULDER WIDTHS
BTW STA 10+000.000/10+121.168, GORE B-3/B-2
BTW STA 10+121.168/10+131.316, VARIES, 1.8m TO 1.75m
BTW STA 10+131.316/10+141.184, VARIES, 1.75m TO 2.4m
BTW STA 10+141.184/10+417.999, CONSTANT 2.4m
BTW STA 10+417.999/10+427.984, VARIES 2.4m TO 1.8m
BTW STA 10+427.984/ 11+182.986, CONSTANT 1.8m
 - RAMP B-3 LT SHOULDER WIDTHS
BTW STA 10+000.000/10+016.398, VARIES 2.92m TO 2.86m
BTW STA 10+016.398/10+125.516, VARIES 2.86m TO 4.57m
BTW STA 10+125.516/10+216.524, VARIES 4.57m TO 2.97m
BTW STA 10+216.524/10+222.707, VARIES 2.97m TO 3.00m
BTW STA 10+222.707/10+405.000, CONSTANT 1.2m
BTW STA 10+405.000/10+423.750, VARIES 3.57m TO 1.8m
BTW STA 10+423.750/10+900.000, CONSTANT 1.8m
BTW STA 10+900.000/10+935.000, VARIES 1.8m TO 1.2m
BTW STA 10+935.000/11+141.718, CONSTANT 1.2m
BTW STA 11+141.718/11+195.000, GORE B-3/WAR MEMORIAL
 - CROSS SLOPE SHOWN DOES NOT APPLY IN GORE, SEE GORE DETAILS

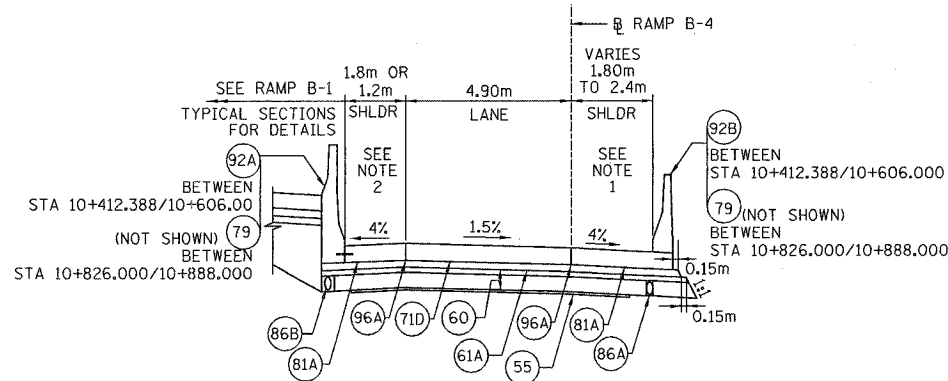
REVISIONS		ILLINOIS DEPARTMENT OF TRANSPORTATION
NAME	DATE	
		<p>TYPICAL SECTIONS FAI ROUTE 74 (I-74) (WB) PROPOSED RAMPS B-2 & B-3</p> <p>DRAWN BY CADD CHECKED BY MKW</p> <p>DATE 11/12/04</p>



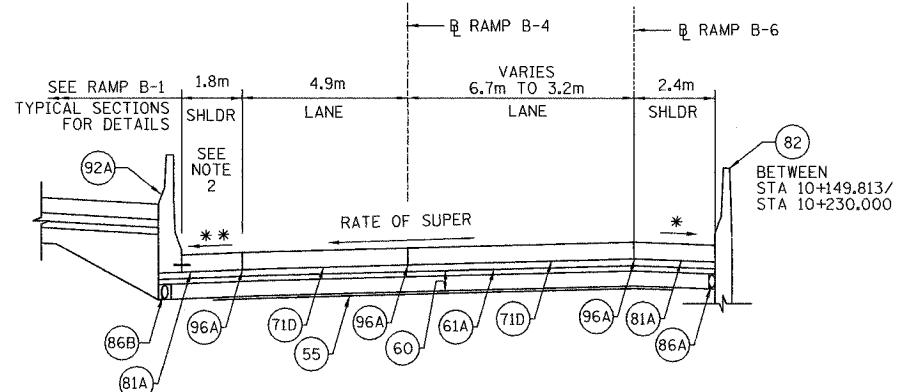
F.A. RTE.	SECTION	COUNTY	TOTAL SHEETS	SHEET NO.
74	(72-7)R-3	PEORIA	1360	40
STA.		TO STA.		
FED. ROAD DIST. NO.		ILLINOIS FED. AID PROJECT		



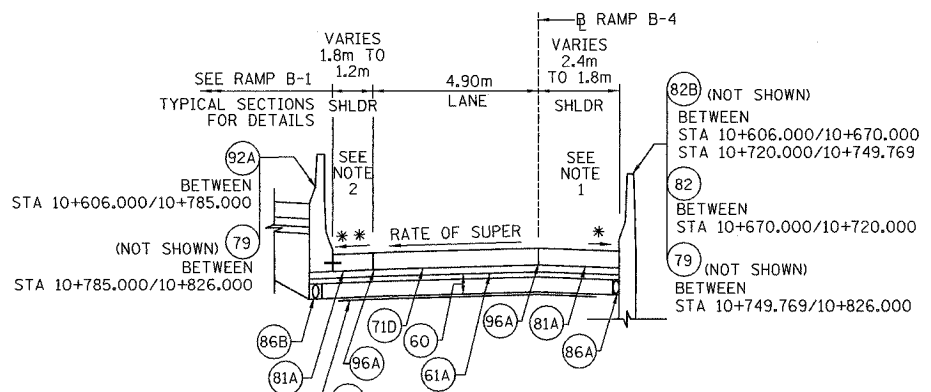
TYPICAL SECTION 1; RAMP B-4
SUPERELEVATED SECTION
STA. 10+011.880 TO STA. 10+126.400



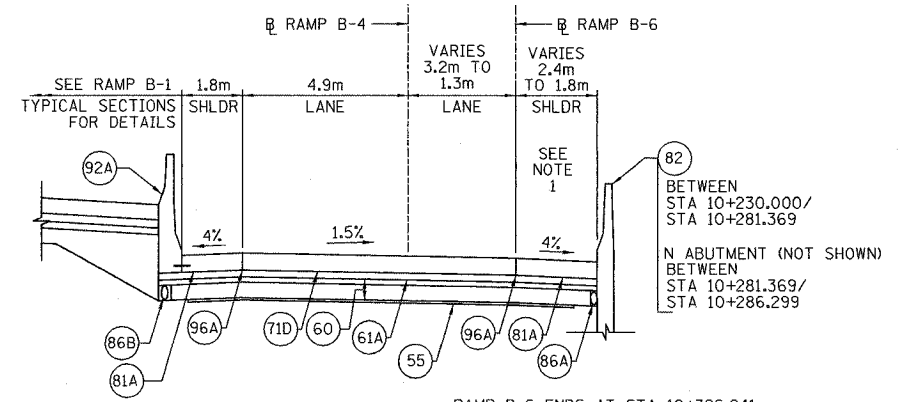
TYPICAL SECTION 4; RAMP B-4
STA. 10+286.299 TO STA. 10+412.388 (BRIDGE OMISSION)
STA. 10+412.388 TO STA. 10+606.000
STA. 10+826.000 TO STA. 10+888.000



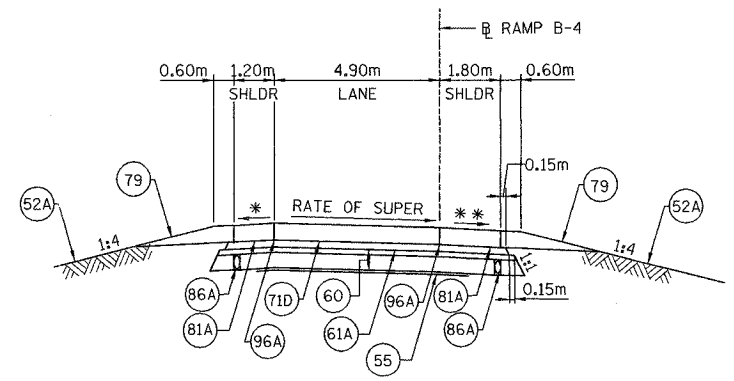
TYPICAL SECTION 2; RAMP B-4
SUPERELEVATED SECTION
STA. 10+126.400 TO STA. 10+230.000
(STA. 10+203.337 TO STA. 10+308.553; RAMP B-6)



TYPICAL SECTION 5; RAMP B-4
SUPERELEVATED SECTION
STA. 10+606.000 TO STA. 10+826.000



TYPICAL SECTION 3; RAMP B-4
STA. 10+230.000 TO STA. 10+286.299
(STA. 10+308.553 TO STA. 10+366.006; RAMP B-6)



TYPICAL SECTION 6; RAMP B-4
SUPERELEVATED SECTION
STA. 10+888.000 TO STA. 10+972.450

LEGEND:

- 52A PR TOPSOIL, FURNISH AND PLACE, 100mm
- 54 PR POROUS GRANULAR EMBANKMENT
- 55 PR GEOTECHNICAL FABRIC FOR GROUND STABILIZATION
- 60 PR AGGREGATE SUB-BASE, 300 mm
- 61A PR BITUMINOUS CONCRETE BINDER COURSE SUPERPAVE IL-19.0L (LOW ESAL), 100 mm
- 71D PR PORTLAND CEMENT CONCRETE PAVEMENT, 250 mm (JOINTED)
- 79 PR AGGREGATE SHOULDERS, TYPE B
- 81A PR PORTLAND CEMENT CONCRETE SHOULDERS, 250 mm
- 82 PR RETAINING WALL
- 83 PR NOISE BARRIER
- 86A PR PIPE UNDERDRAINS, 100 mm
- 86B PR PIPE UNDERDRAINS, 150 mm
- 88 PR CONCRETE GUTTER, TYPE A (MODIFIED)
- 92A PR CONCRETE BARRIER, DOUBLE FACE
- 92B PR CONCRETE BARRIER, SINGLE FACE
- 96A PR LONGITUDINAL CONSTRUCTION JOINT

NOTES:

1. RAMP B-4 RT SHOULDER WIDTHS
 BTW STA 10+012.465/10+18.311, TRANSITION FROM WAR MEMORIAL DR TO 1.8m
 BTW STA 10+018.311/10+105.765, CONSTANT 1.8m
 BTW STA 10+105.765/10+126.400, GORE B-4/B-6
 BTW STA 10+126.400/10+256.466, CONSTANT 2.4m
 BTW STA 10+256.466/10+274.348, VARIES 2.4m TO 1.8m
 BTW STA 10+274.348/10+424.784, CONSTANT 1.8m
 BTW STA 10+424.784/10+433.215, VARIES 1.8m TO 2.4m
 BTW STA 10+433.215/10+749.769, CONSTANT 2.4m
 BTW STA 10+749.769/10+755.618, VARIES 2.4m TO 1.8m
 BTW STA 10+755.618/10+972.450, CONSTANT 1.8m
2. RAMP B-4 LT SHOULDER WIDTHS
 BTW STA 10+011.800/10+100.000, CONSTANT 1.2m
 BTW STA 10+100.000/10+114.508, VARIES 2.46m TO 1.8m
 BTW STA 10+114.508/10+785.000, CONSTANT 1.8m
 BTW STA 10+785.000/10+808.857, VARIES 1.8m TO 1.2m
 BTW STA 10+808.857/10+972.450, CONSTANT 1.2m

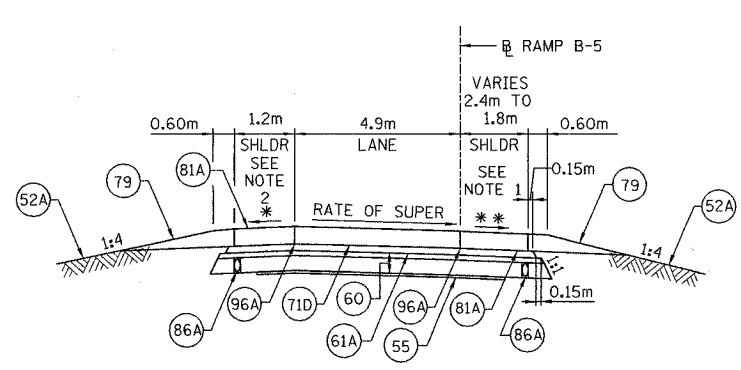
* 4% OR 8% MINUS THE RATE OF SUPER, WHICHEVER IS MINIMUM
 ** 4% MIN. OR RATE OF SUPER, WHICHEVER IS GREATER.

REVISIONS	
NAME	DATE

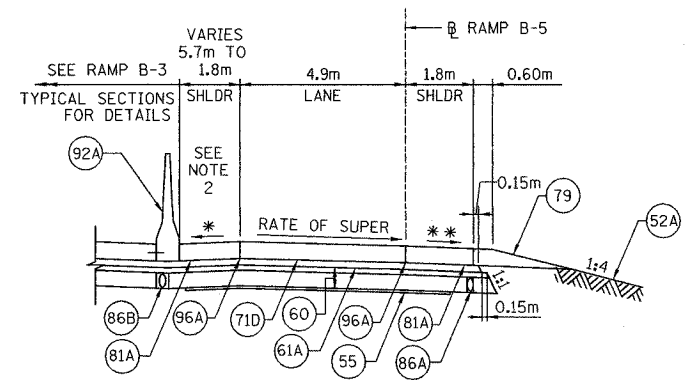
ILLINOIS DEPARTMENT OF TRANSPORTATION
 TYPICAL SECTIONS
 FAI ROUTE 74 (I-74) (WB)
 PROPOSED RAMP B-4
 DRAWN BY CADD
 CHECKED BY KJW
 DATE 11/12/04



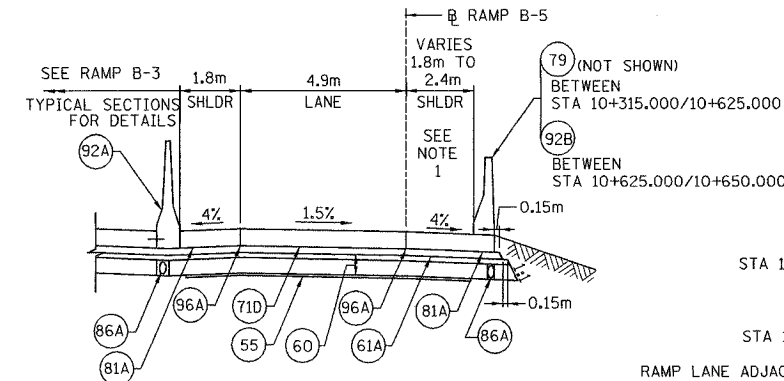
F.A. - RTE.	SECTION	COUNTY	TOTAL SHEETS	SHEET NO.
74	(72-7)R-3	PEORIA	1360	41
STA.		TO STA.		
FED. ROAD DIST. NO.		ILLINOIS FED. AID PROJECT		



TYPICAL SECTION 1; RAMP B-5
SUPERELEVATION SECTION
STA. 10+000.000 TO STA. 10+241.798

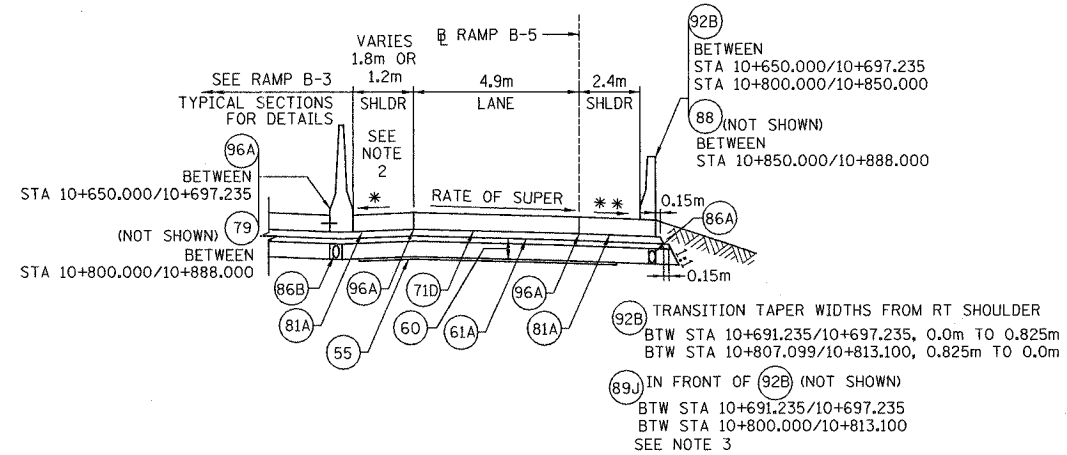


TYPICAL SECTION 2; RAMP B-5
SUPERELEVATED SECTION
STA. 10+241.798 TO STA. 10+315.000

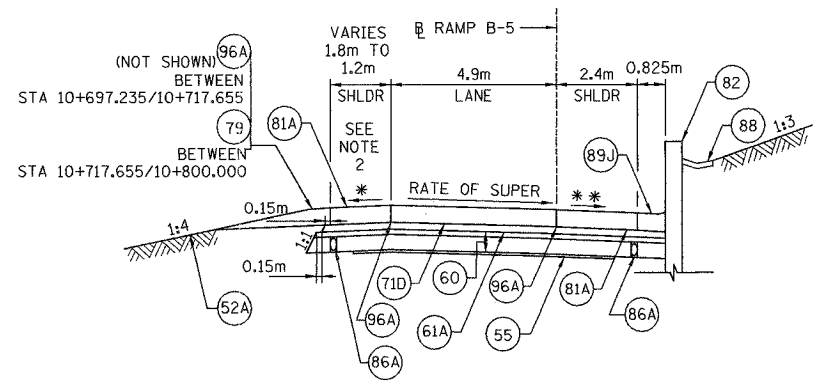


TYPICAL SECTION 3; RAMP B-5
STA. 10+315.000 TO STA. 10+650.000
STA. 10+419.562 TO STA. 10+505.385 (BRIDGE OMISSION)

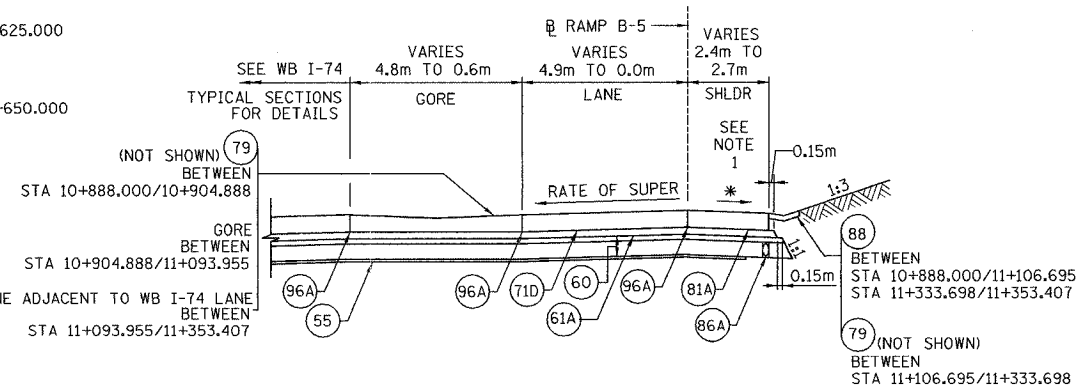
* 4% OR 8% MINUS THE RATE OF SUPER, WHICHEVER IS MINIMUM
** 4% MIN. OR RATE OF SUPER, WHICHEVER IS GREATER.



TYPICAL SECTION 4; RAMP B-5
SUPERELEVATED SECTION
STA. 10+650.000 TO STA. 10+697.235
STA. 10+800.000 TO STA. 10+888.000



TYPICAL SECTION 5; RAMP B-5
SUPERELEVATED SECTION
STA. 10+697.235 TO STA. 10+800.000



TYPICAL SECTION 6; RAMP B-5
SUPERELEVATED SECTION
STA. 10+888.000 TO STA. 11+353.407

LEGEND:

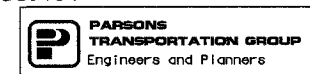
- (52A) PR TOPSOIL, FURNISH AND PLACE, 100mm
- (54) PR POROUS GRANULAR EMBANKMENT
- (55) PR GEOTECHNICAL FABRIC FOR GROUND STABILIZATION
- (60) PR AGGREGATE SUB-BASE, 300 mm
- (61A) PR BITUMINOUS CONCRETE BINDER COURSE SUPERPAVE IL-19.0L (LOW ESAL), 100 mm
- (71D) PR PORTLAND CEMENT CONCRETE PAVEMENT, 250 mm (JOINTED)
- (79) PR AGGREGATE SHOULDERS, TYPE B
- (81A) PR PORTLAND CEMENT CONCRETE SHOULDERS 250 mm
- (82) PR RETAINING WALL
- (83) PR NOISE BARRIER
- (86A) PR PIPE UNDERDRAINS 100 mm
- (88) PR CONCRETE GUTTER, TYPE A (MODIFIED)
- (89J) PR COMBINATION CONCRETE CURB & GUTTER, TYPE M (SPECIAL)
- (92A) PR CONCRETE BARRIER, DOUBLE FACE
- (92B) PR CONCRETE BARRIER, SINGLE FACE
- (96A) PR LONGITUDINAL CONSTRUCTION JOINT

NOTES:

1. RT SHOULDER WIDTHS
BTW STA 10+000.000/10+023.170, CONSTANT 2.4
BTW STA 10+023.170/10+035.575, VARIES 2.4m TO 1.8m
BTW STA 10+035.575/10+607.041, CONSTANT 1.8m
BTW STA 10+607.041/10+625.000, VARIES 1.8m TO 2.4m
BTW STA 10+625.000/11+329.978, CONSTANT 2.4m
BTW STA 11+329.978/11+353.407, VARIES 2.4m TO 2.7m
2. LT SHOULDER WIDTHS
BTW STA 10+062.141/10+072.911, GORE B-5 & WAR MEMORIAL
BTW STA 10+072.911/10+241.798, CONSTANT 1.2m
BTW STA 10+241.798/10+285.128, VARIES 5.7m TO 1.8m
BTW STA 10+285.128/10+717.655, CONSTANT 1.8m
BTW STA 10+717.655/10+723.949, VARIES 1.8m TO 1.2m
BTW STA 10+723.949/10+904.888, CONSTANT 1.2m
BTW STA 10+904.888/11+093.955, GORE B-5 & WB I-74
3. WIDTHS, COMB CONCRETE CURB & GUTTER, TYPE M (SPECIAL)
BTW STA 10+691.235/10+697.235, VARIES 0.3m TO 0.825m
BTW STA 10+697.235/10+807.099, CONSTANT 0.825m
BTW STA 10+807.099/10+813.100, VARIES 0.825m TO 0.3m

REVISIONS	
NAME	DATE

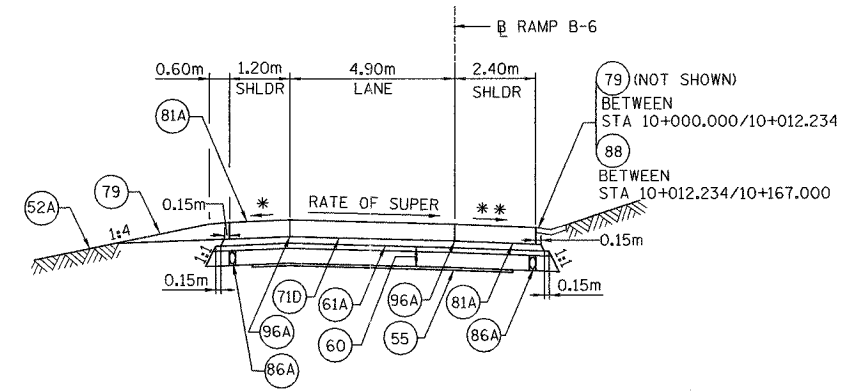
ILLINOIS DEPARTMENT OF TRANSPORTATION
TYPICAL SECTIONS
FAI ROUTE 74 (I-74) (WB)
PROPOSED RAMP B-5
DRAWN BY CADD
CHECKED BY KJW
DATE 11/12/04



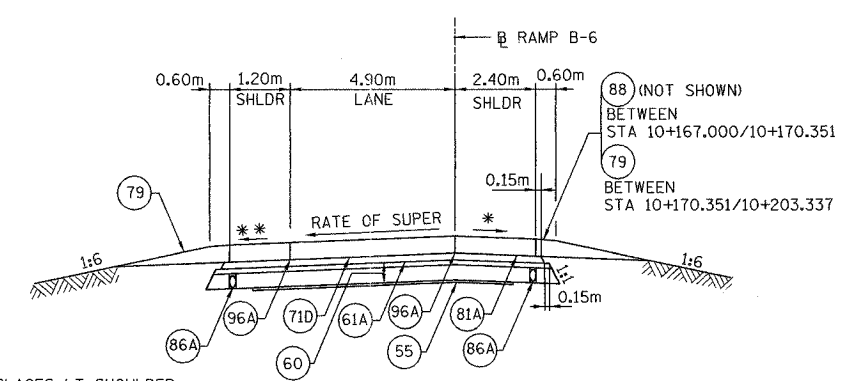
F.A. RTE.	SECTION	COUNTY	TOTAL SHEETS	SHEET NO.
74	(72-7)R-3	PEORIA	1360	42
STA.		TO STA.		
FED. ROAD DIST. NO.		ILLINOIS	FED. AID PROJECT	

LEGEND:

- (52A) PR TOPSOIL, FURNISH AND PLACE, 100mm
- (54) PR POROUS GRANULAR EMBANKMENT
- (55) PR GEOTECHNICAL FABRIC FOR GROUND STABILIZATION
- (60) PR AGGREGATE SUB-BASE, 300 mm
- (61A) PR BITUMINOUS CONCRETE BINDER COURSE SUPERPAVE IL-19.0L (LOW ESAL), 100 mm
- (71D) PR PORTLAND CEMENT CONCRETE PAVEMENT, 250 mm (JOINTED)
- (79) PR AGGREGATE SHOULDERS, TYPE B
- (81A) PR PORTLAND CEMENT CONCRETE SHOULDERS 250 mm
- (82) PR RETAINING WALL
- (83) PR NOISE BARRIER
- (86A) PR PIPE UNDERDRAINS 100 mm
- (88) PR CONCRETE GUTTER, TYPE A (MODIFIED)
- (92A) PR CONCRETE BARRIER, DOUBLE FACE
- (92B) PR CONCRETE BARRIER, SINGLE FACE
- (96A) PR LONGITUDINAL CONSTRUCTION JOINT



TYPICAL SECTION 1; RAMP B-6
SUPERELEVATED SECTION
STA. 10+048.052 TO STA. 10+167.000



GORE REPLACES LT SHOULDER
BETWEEN STA 10+182.578 TO STA 10+203.454
TYPICAL SECTIONS BEYOND
STA 10+203.337 ARE ON B-4 TYPICAL SECTIONS 2 & 3.

TYPICAL SECTION 2; RAMP B-6
SUPERELEVATED SECTION
STA. 10+167.000 TO STA. 10+203.337

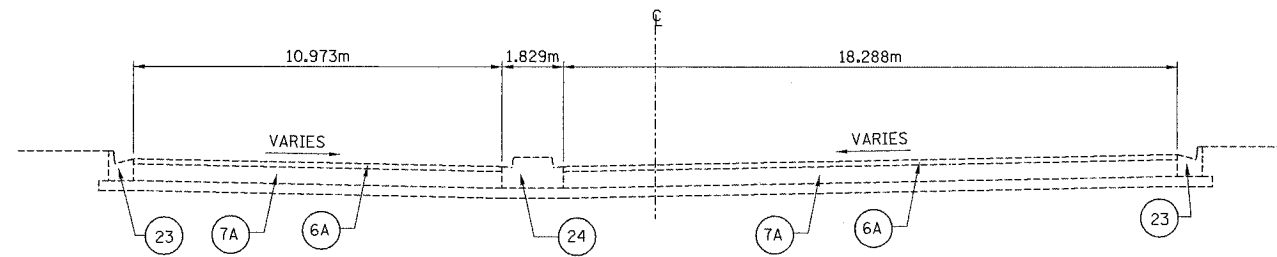
* 4% OR 8% MINUS THE RATE OF SUPER, WHICHEVER IS MINIMUM
** 4% MIN. OR RATE OF SUPER, WHICHEVER IS GREATER.



REVISIONS	
NAME	DATE

ILLINOIS DEPARTMENT OF TRANSPORTATION
TYPICAL SECTIONS
FAI ROUTE 74 (I-74) (WB)
PROPOSED RAMP B-6
DRAWN BY CADD
CHECKED BY KJW
DATE 11/12/04

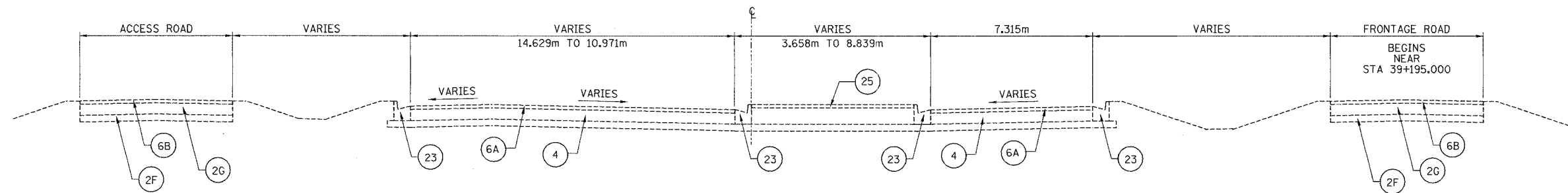
F.A.I. RTE.	SECTION	COUNTY	TOTAL SHEETS	SHEET NO.
74	72-6	PEORIA	1360	43
STA. 99+575.000 TO STA. 101+020.102				
FED. ROAD DIST. NO.			ILLINOIS	FED. AID PROJECT



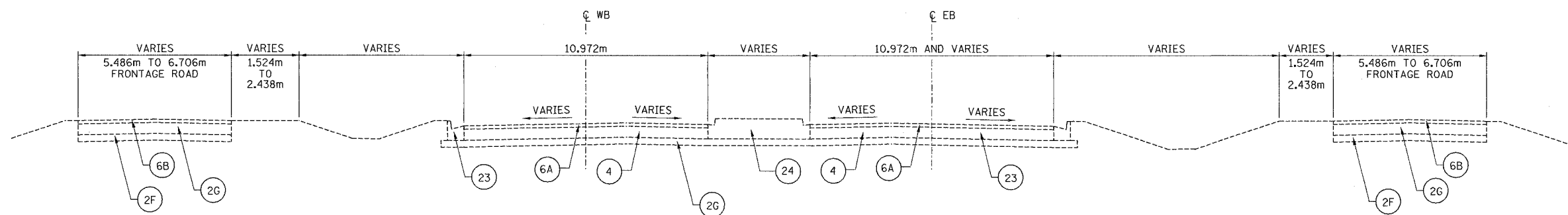
TYPICAL SECTION 1
WAR MEMORIAL DRIVE
 STA. 38+9905.067 TO STA. 39+025.000

LEGEND:

- (2F) EX SUB-BASE GRANULAR MATERIAL
- (2G) EX AGGREGATE BASE COURSE
- (6A) EX BITUMINOUS RESURFACING 75mm (SEE NOTE 3)
- (6B) EX BITUMINOUS CONCRETE
- (4) EX PCC BASE COURSE
- (13) EX BITUMINOUS SHOULDERS
- (23) EX COMBINATION CONCRETE CURB AND GUTTER
- (24) EX CONCRETE MEDIAN
- (25) EX CONCRETE MEDIAN SURFACE



TYPICAL SECTION 2
WAR MEMORIAL DRIVE
 STA. 39+025.000 TO STA. 39+255.000±



TYPICAL SECTION 3
WAR MEMORIAL DRIVE
 STA. 39+255.000± TO STA. 39+450.000

NOTES:

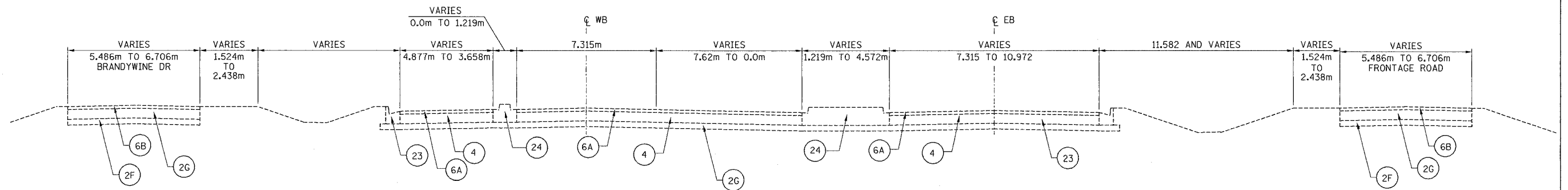
- PAVEMENT CORES INDICATE THE EXISTING BITUMINOUS RESURFACING VARIES FROM 107mm TO 127mm (EB) AND 56mm TO 76mm (WB)
- EXISTING I-74 RAMP ENTRANCES AND EXITS ARE NOT SHOWN.



ILLINOIS DEPARTMENT OF TRANSPORTATION
 EXISTING TYPICAL SECTIONS
 WAR MEMORIAL DRIVE
 STA. 38+966.067 TO STA. 39+450.000

DATE 11/12/04
 DRAWN BY CADD
 CHECKED BY MWP

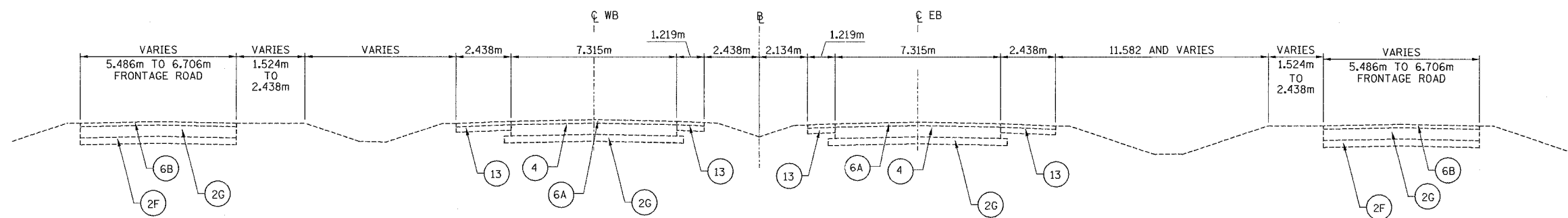
F.A.I. RTE.	SECTION	COUNTY	TOTAL SHEETS	SHEET NO.
74	72-6	PEORIA	1360	44
STA. 99+575.000 TO STA. 101+020.102				
FED. ROAD DIST. NO.		ILLINOIS FED. AID PROJECT		



TYPICAL SECTION 4
WAR MEMORIAL DRIVE
STA. 39+450.000 TO STA. 39+662.000±

LEGEND:

- 2F EX SUB-BASE GRANULAR MATERIAL
- 2G EX AGGREGATE BASE COURSE
- 6A EX BITUMINOUS RESURFACING 75mm (SEE NOTE 2)
- 6B EX BITUMINOUS CONCRETE
- 4 EX PCC BASE COURSE
- 13 EX BITUMINOUS SHOULDERS
- 23 EX COMBINATION CONCRETE CURB AND GUTTER
- 24 EX CONCRETE MEDIAN



TYPICAL SECTION 5
WAR MEMORIAL DRIVE
STA. 39+662.000± TO STA. 40+480.824

NOTES:

1. EXISTING I-74 RAMP ENTRANCES AND EXISTS ARE NOT SHOWN.
2. PAVEMENT CORES INDICATE THE EXISTING BITUMINOUS RESURFACING VARIES FROM 107mm TO 127mm (EB) AND 56mm TO 76mm (WB)



ILLINOIS DEPARTMENT OF TRANSPORTATION
EXISTING TYPICAL SECTIONS
WAR MEMORIAL DRIVE
STA. 39+450.000 TO STA. 40+480.824

DATE 11/12/04
DRAWN BY CADD
CHECKED BY MWP

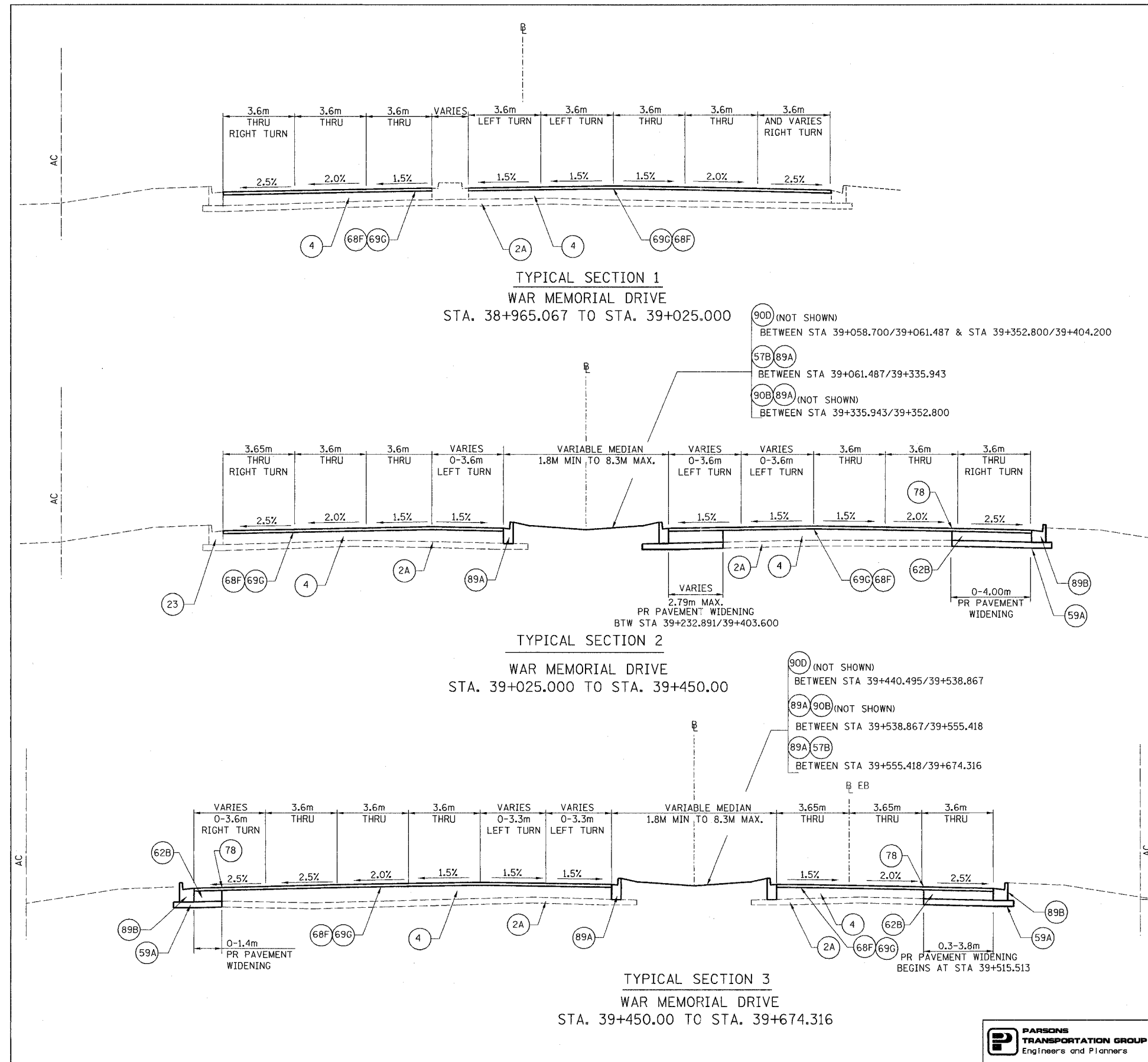
F.A. RTE.	SECTION	COUNTY	TOTAL SHEETS	SHEET NO.
74	(72-7)R-3	PEORIA	1360	45
STA.		TO STA.		
FED. ROAD DIST. NO.		ILLINOIS FED. AID PROJECT		

LEGEND:

- (2A) EX SUB-BASE GRANULAR MATERIAL 150mm
- (4) EX PCC BASE COURSE
- (13) EX BITUMINOUS SHOULDER
- (23) EX COMBINATION CONCRETE CURB & GUTTER
- (24) EX CONCRETE MEDIAN
- (57B) PR SODDING SALT TOLERANT
- (59A) PR SUB-BASE GRANULAR, TYA 150mm
- (62B) PR PCC BASE COURSE 240mm
- (68F) PR POLYMERIZED BITUMINOUS CONCRETE SURFACE COURSE, SUPERPAVE, "MIX E", NTO
- (69G) PR POLYMERIZED BITUMINOUS CONCRETE BINDER COURSE, SUPERPAVE, IL-19.0, NTO
- (71D) PR PORTLAND CEMENT CONCRETE PAVEMENT 250mm (JOINTED)
- (78) PR STRIP REFLECTIVE CRACK CONTROL TREATMENT
- (80) PR BITUMINOUS SHOULDERS 200mm
- (89A) PR COMBINATION CONCRETE CURB & GUTTER, TYPE B-15.30
- (89B) PR COMBINATION CONCRETE CURB & GUTTER, TYPE B-15.60
- (90B) PR CONCRETE MEDIAN SURFACE, 100mm
- (90D) PR CONCRETE MEDIAN, TYPE SB-22.30

NOTES:

1. ALL EXISTING BITUMINOUS RESURFACING (LEGEND #6A) IS TO BE REMOVED TO THE TOP OF THE EXISTING PCC BASECOURSE (#4).
2. EXISTING PCC BASE COURSE (LEGEND #4), MAY BE CROWNED, BUT NOT AT THE SAME LOCATION OF THE PROPOSED CROWN. EXISTING CROWN NOT TO BE REMOVED.



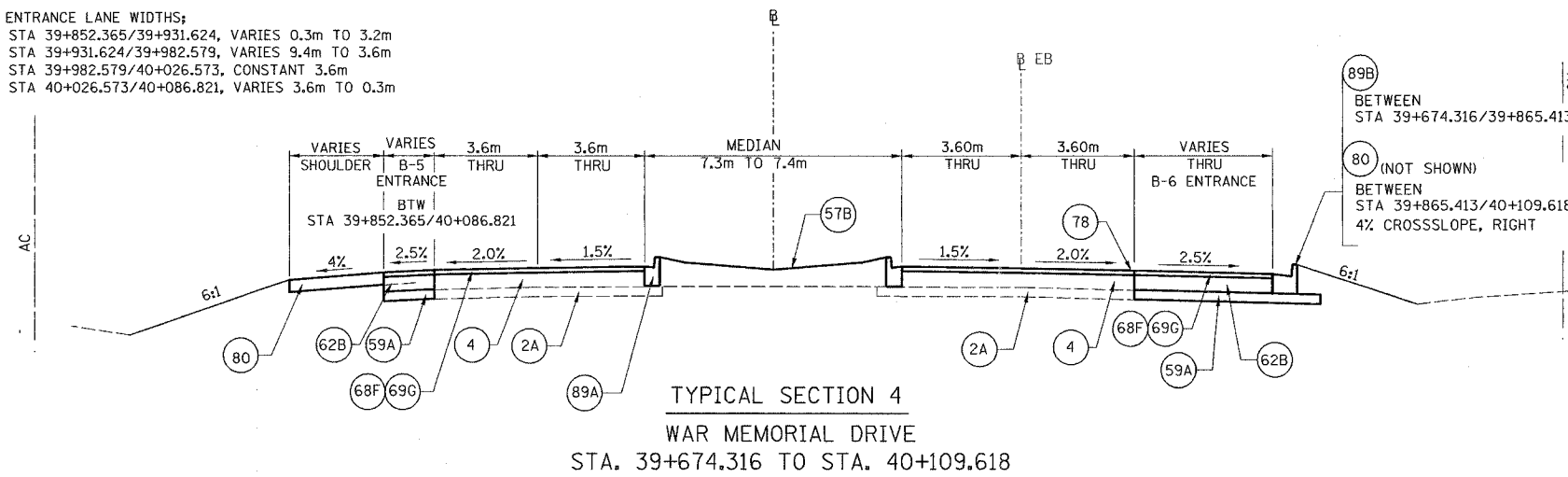
REVISIONS	
NAME	DATE

ILLINOIS DEPARTMENT OF TRANSPORTATION
PROPOSED TYPICAL SECTIONS
 WAR MEMORIAL DRIVE
 STA. 38+965.067 - STA. 39+674.316
 DRAWN BY CADD
 CHECKED BY KJW
 DATE 11/12/04

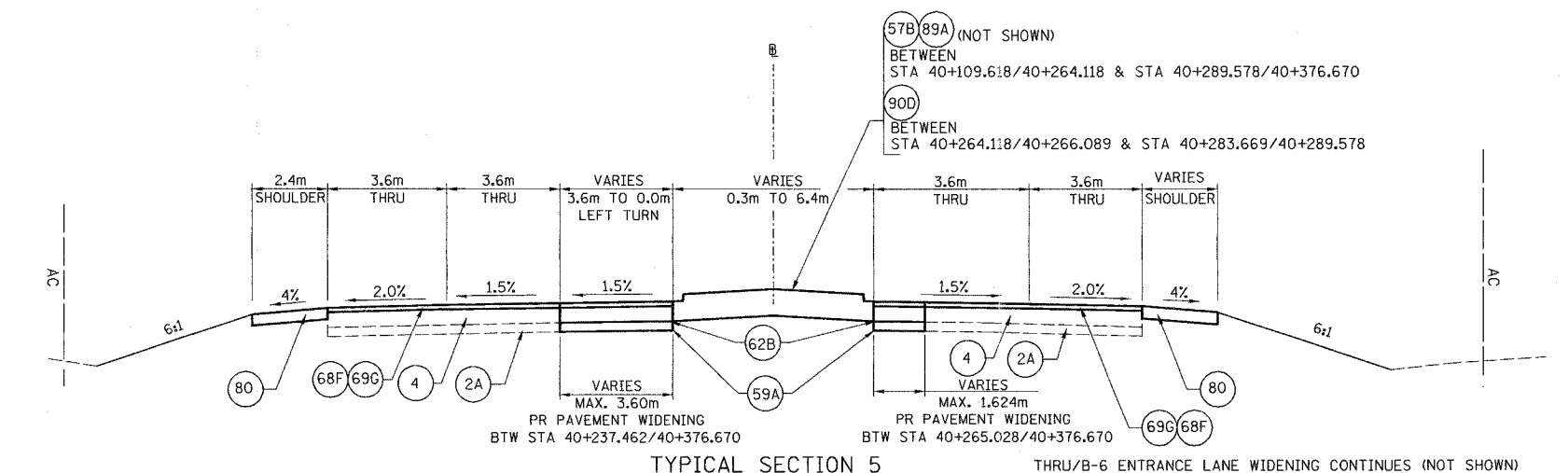


F.A. RTE.	SECTION	COUNTY	TOTAL SHEETS	SHEET NO.
74	(72-7R-3)	PEORIA	1360	46
STA.		TO STA.		
FED. ROAD DIST. NO.		ILLINOIS FED. AID PROJECT		

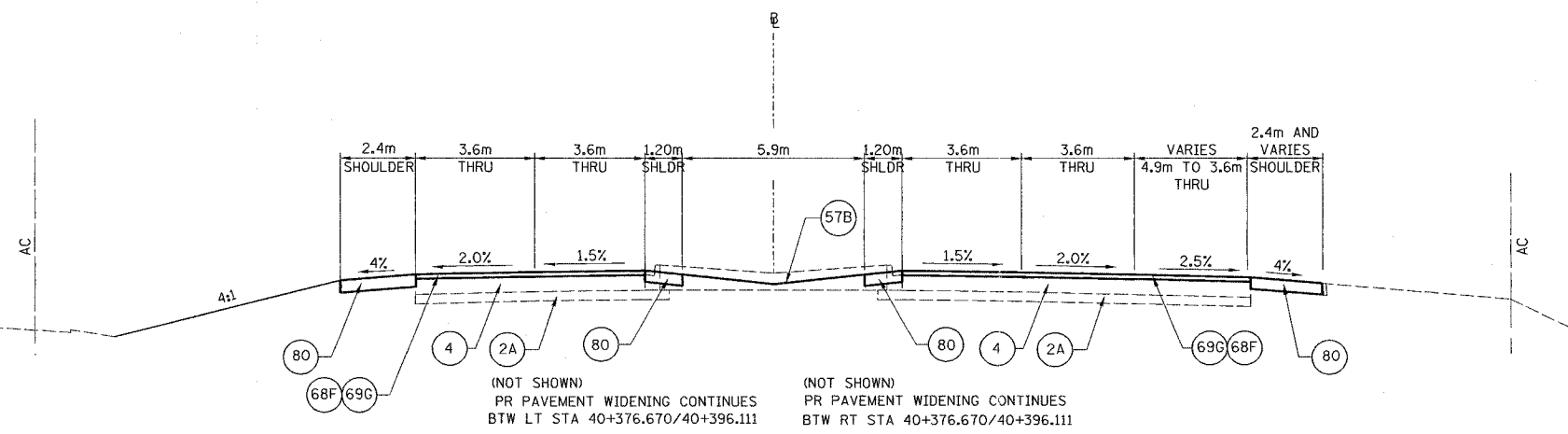
B-5 ENTRANCE LANE WIDTHS;
 BTW STA 39+852.365/39+931.624, VARIES 0.3m TO 3.2m
 BTW STA 39+931.624/39+982.579, VARIES 9.4m TO 3.6m
 BTW STA 39+982.579/40+026.573, CONSTANT 3.6m
 BTW STA 40+026.573/40+086.821, VARIES 3.6m TO 0.3m



TYPICAL SECTION 4
 WAR MEMORIAL DRIVE
 STA. 39+674.316 TO STA. 40+109.618



TYPICAL SECTION 5
 WAR MEMORIAL DRIVE
 STA. 40+109.618 TO STA. 40+376.670



TYPICAL SECTION 6
 WAR MEMORIAL DRIVE
 STA. 40+376.670 TO STA. 40+480.810

LEGEND:

- 2A EX SUB-BASE GRANULAR MATERIAL 150mm
- 4 EX PCC BASE COURSE
- 13 EX BITUMINOUS SHOULDER
- 23 EX COMBINATION CONCRETE CURB & GUTTER
- 57B PR SODDING SALT TOLERANT
- 59A PR SUB-BASE GRANULAR, TYPE A 150mm
- 62B PR PCC BASE COURSE 240mm
- 68F PR POLYMERIZED BITUMINOUS CONCRETE SURFACE COURSE, SUPERPAVE, "MIX E", N70
- 69E PR POLYMERIZED BITUMINOUS CONCRETE BINDER COURSE, SUPERPAVE, IL-19.0, N70
- 71D PR PORTLAND CEMENT CONCRETE PAVEMENT 250mm (JOINTED)
- 78 PR STRIP REFLECTIVE CRACK CONTROL TREATMENT
- 80 PR BITUMINOUS SHOULDERS 200mm
- 89A PR COMBINATION CONCRETE CURB & GUTTER, TYPE B-15.30
- 89B PR COMBINATION CONCRETE CURB & GUTTER, TYPE B-15.60
- 90D PR CONCRETE MEDIAN, TYPE SB-22.30

NOTES:

1. ALL EXISTING BITUMINOUS RESURFACING, (LEGEND *6A) IS TO BE REMOVED TO THE TOP OF THE EXISTING PCC BASECOURSE (*4).
2. EXISTING PCC BASE COURSE (LEGEND *4), MAY BE CROWNED, BUT NOT AT THE SAME LOCATION OF THE PROPOSED CROWN. EXISTING CROWN NOT TO BE REMOVED.

LT SHOULDER WIDTHS;
 SHOULDER STARTS AT STA 39+714.991
 BTW STA 39+714.991/39+931.624, CONSTANT 2.4m
 BTW STA 39+931.624/39+970.388, RAMP B-5 ENTRANCE
 BTW STA 39+970.388/39+982.579, VARIES 1.8m TO 2.4m
 BTW STA 39+982.579/40+480.810, CONSTANT 2.4m

RT SHOULDER WIDTHS;
 SHOULDER STARTS AT STA 39+865.413
 BTW STA 39+865.413/40+109.618, CONSTANT 2.4m
 BTW STA 40+109.618/40+170.882, RAMP B-6 ENTRANCE
 BTW STA 40+170.882/40+255.415, CONSTANT 2.4m
 BTW STA 40+255.415/40+270.160, RAMP B-4 ENTRANCE
 BTW STA 40+270.160/40+319.248, CONSTANT 2.4m
 BTW STA 40+319.248/40+346.000, RAMP B-1 EXIT
 BTW STA 40+346.000/40+358.031, VARIES 1.8m TO 2.4m
 BTW STA 40+358.031/40+480.810, CONSTANT 2.4m

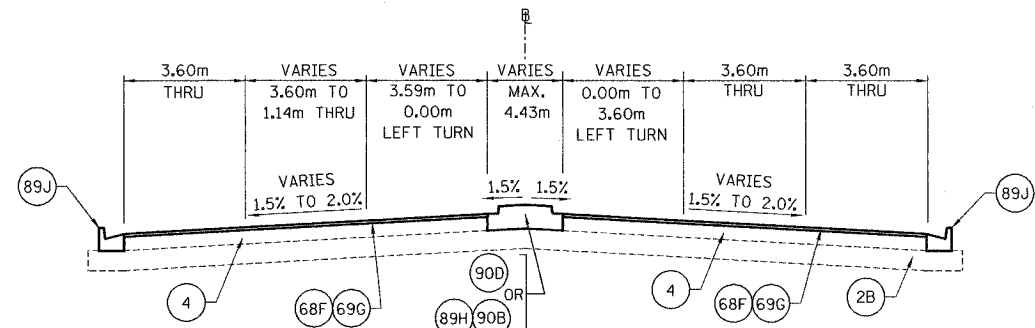
THRU/B-6 ENTRANCE LANE WIDENING WIDTHS;
 BEGINS AT STA 39+551.513
 BTW STA 39+551.513/39+624.676, VARIES 0.3m TO 3.5m
 BTW STA 39+624.676/39+674.316, VARIES 3.5m TO 3.8m
 BTW STA 39+674.316/39+689.274, VARIES 3.8m TO 4.5m
 BTW STA 39+689.274/39+894.262, VARIES 4.5m TO 3.9m
 BTW STA 39+894.262/40+109.618, VARIES 4.5m TO 3.8m
 BTW STA 40+109.618/40+156.668, VARIES 3.8m TO 9.7m
 BTW STA 40+156.668/40+157.998, VARIES 9.7m TO 3.8m
 BTW STA 40+157.998/40+248.811, VARIES 3.8m TO 0.3m

REVISIONS	
NAME	DATE

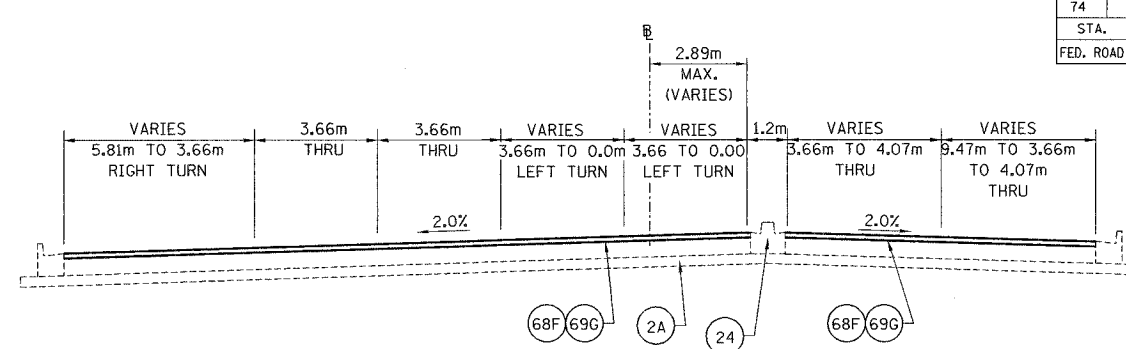
ILLINOIS DEPARTMENT OF TRANSPORTATION
 PROPOSED TYPICAL SECTIONS
 WAR MEMORIAL DRIVE
 STA. 39+674.316 - STA. 40+480.810
 DRAWN BY CADD
 CHECKED BY KJW
 DATE 11/12/04



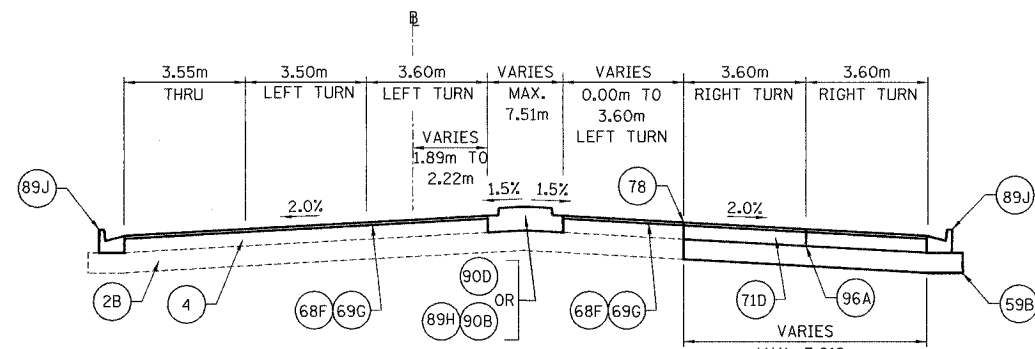
F.A. RTE.	SECTION	COUNTY	TOTAL SHEETS	SHEET NO.
74	(72-TJR-3	PEORIA	1360	47
STA.		TO STA.		
FED. ROAD DIST. NO.		ILLINOIS	FED. AID PROJECT	



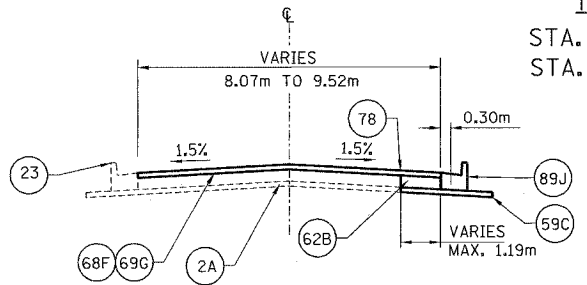
TYPICAL SECTION 1 - SCENIC DRIVE
STA. 10+050.000 TO STA. 10+109.196



TYPICAL SECTION - GLEN AVE
STA. 101+030± TO STA. 101+080.457 LT
STA. 101+030± TO STA. 101+107.062 RT

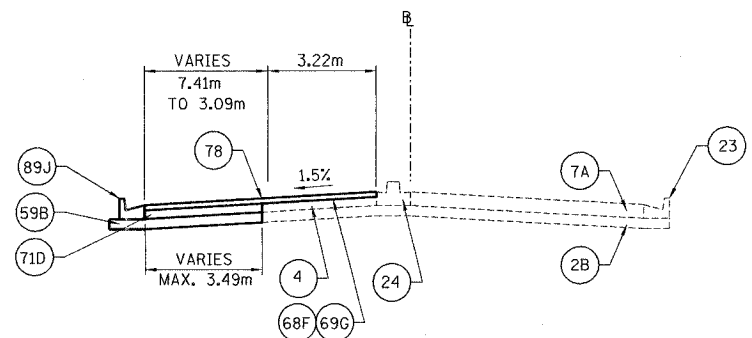


TYPICAL SECTION 2 - SCENIC DRIVE
STA. 10+109.196 TO STA. 10+238.736

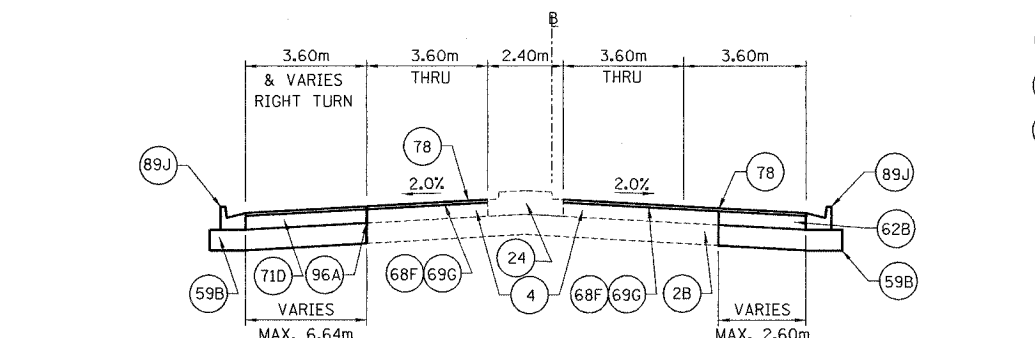


TYPICAL SECTION - BRANDYWINE DRIVE
LOOKING SOUTH EAST

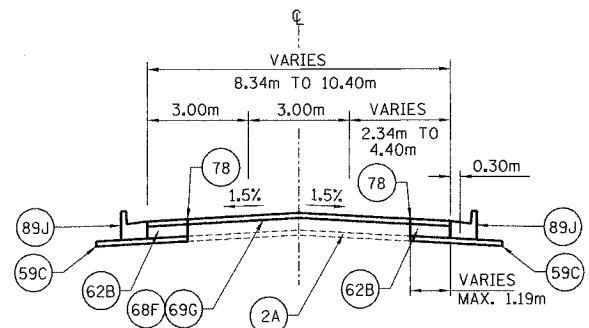
- LEGEND:**
- (2A) EX SUB-BASE GRANULAR MATERIAL, 150mm
 - (2B) EX SUB-BASE GRANULAR MATERIAL, 300mm
 - (4) EX PCC BASE COURSE
 - (7A) EXISTING PCC PAVEMENT, 250mm
 - (23) EX COMBINATION CONCRETE CURB & GUTTER
 - (24) EXISTING CONCRETE MEDIAN
 - (56A) PR FURNISH AND PLACE TOP SOIL 100mm
 - (57A) PR SODDING
 - (59B) PR SUB-BASE GRANULAR MATERIAL, TYPE A 300mm
 - (59C) PR SUB-BASE GRANULAR MATERIAL, TYPE B 150mm
 - (62B) PR PCC BASE COURSE, 240mm
 - (68F) PR POLYMERIZED BITUMINOUS CONCRETE SURFACE COURSE, SUPERPAVE, "MIX E", N70
 - (69G) PR POLYMERIZED BITUMINOUS CONCRETE BINDER COURSE, SUPERPAVE, IL-19.0, N70
 - (71D) PR PORTLAND CEMENT CONCRETE PAVEMENT 250mm (JOINTED)
 - (76A) PR PORTLAND CEMENT CONCRETE SIDEWALK 100mm
 - (78) PR STRIP REFLECTIVE CRACK CONTROL TREATMENT 100mm
 - (89H) PR COMBINATION CONCRETE CURB AND GUTTER, TYPE B-22.30
 - (89J) PR COMBINATION CONCRETE CURB AND GUTTER, TYPE B-22.60
 - (90B) PR CONCRETE MEDIAN SURFACE 100mm
 - (90D) PR CONCRETE MEDIAN, TYPE SB-22.30
 - (96A) PR LONGITUDINAL CONSTRUCTION JOINT
 - (96B) PR SAWED LONGITUDINAL JOINT



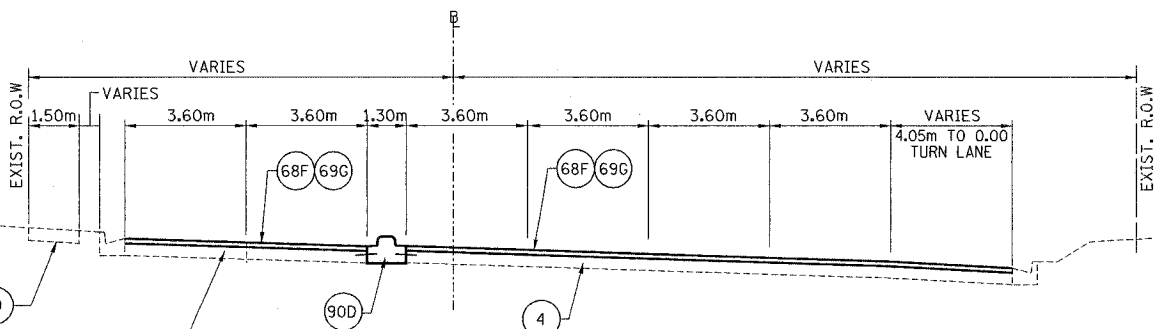
TYPICAL SECTION - NORTH MALL ACCESS
LOOKING NORTH



TYPICAL SECTION 3 - SCENIC DRIVE
STA. 10+238.736 TO STA. 10+288.277



TYPICAL SECTION FRONTAGE RD
STA. 39+346.675 TO STA. 39+391.760



TYPICAL SECTION STERLING AVENUE
STA. 100+910.908 TO STA. 101+020±

NOTE
1. PLACE EPOXY GROUTED TIE BARS AT 600mm CENTERS FOR ALL LONGITUDINAL JOINTS

REVISIONS	
NAME	DATE

ILLINOIS DEPARTMENT OF TRANSPORTATION
TYPICAL SECTIONS
WAR MEMORIAL DRIVE
SIDE STREETS
DRAWN BY CADD
CHECKED BY KJW
DATE 11/12/04



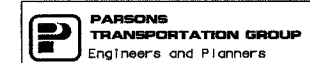
F.A. RTE.	SECTION	COUNTY	TOTAL SHEETS	SHEET NO.
74	(72-7)R-3	PEORIA	1360	48
STA.	TO STA.			
FED. ROAD DIST. NO.	ILLINOIS FED. AID PROJECT			

					EARTHWORK SCHEDULE						
LOCATION	STA	TO	STA	LENGTH M	EARTH EXCAVATION CU M	ROCK EXCAVATION CU M	UNSUITABLE MATERIAL CU M	EXCAVATION TO BE USED IN EMBANKMENT ADJUSTED FOR SHRINKAGE (Earth Exc X .75) CU M	EMBANKMENT (FILL) CU M	EARTHWORK BALANCE WASTE (+) OR FURNISHED EXCAVATION (-) CU M	TOP SOIL, FURNISH AND PLACE 100 MM SQ M
INTERSTATE I-74											
STAGE 3											
I-74 MAINLINE, WB	141+900.000	TO	141+950.000	50.00	356.50			267.38	17.88	249.50	295.00
I-74 MAINLINE, WB	141+950.000	TO	142 + 300.000	350.00	2,614.75			1,961.06	58.88	1,902.19	2,087.50
I-74 MAINLINE, WB	142 + 300.000	TO	142 + 650.000	350.00	8,884.63			6,663.47	94.00	6,569.47	5,690.00
	142 + 300.000	TO	142 + 425.000	125.00							2,823.04
	142 + 425.000	TO	142 + 610.000	185.00							6,653.43
	142 + 610.000	TO	142 + 650.000	40.00							18,896.60
I-74 MAINLINE, WB	142 + 650.000	TO	143 + 000.000	350.00	2,535.88			1,901.91	394.63	1,507.28	1,643.75
I-74 MAINLINE, WB	143 + 000.000	TO	143 + 300.000	300.00	1,525.63			1,144.22	645.63	498.59	956.25
	143 + 000.000	TO	143 + 083.000	83.00							
	143 + 083.000	TO	143 + 213.000	130.00							
	143 + 213.000	TO	143 + 300.000	87.00							
I-74 MAINLINE, WB	143 + 300.000	TO	143 + 650.000	350.00	485.88			364.41	1,620.38	(1,255.97)	570.00
I-74 MAINLINE, WB	143 + 650.000	TO	143 + 950.000	300.00	199.63			149.72	1,970.63	(1,820.91)	0.00
I-74 MAINLINE, WB	143 + 950.000	TO	144 + 250.000	300.00	2,529.50			1,897.13	3,292.13	(1,395.00)	4,978.75
I-74 MAINLINE, WB	144 + 250.000	TO	144 + 325.000	75.00	390.00			292.50	13.88	278.63	303.75
I-74 MAINLINE, EB	144 + 325.000	TO	144 + 600.000	275.00	1,367.00			1,025.25	188.88	836.38	1,045.00
I-74 MAINLINE, EB	144 + 600.000	TO	144 + 718.000	118.00	246.13			184.59	299.37	(114.77)	677.70
STAGE 3 SUBTOTAL:					21,135.50	0.00	0.00	15,851.63	8,596.24	7,255.39	18,247.70
RAMPS											
Ramp A-3	10+225.000	TO	10+375.000	150.00	5,625.38			4,219.03	4,751.00	(531.97)	2,815.00
Bridge	10+375.000	TO	10+450.000	75.00	166.00			124.50	31,584.00	(31,459.50)	5,317.50
Ramp A-4	10+225.000	TO	10+375.000	150.00				0.00		0.00	
	10+375.000	TO	10+700.000	325.00				0.00		0.00	
Ramp B-1	10+200.000	TO	10+625.000	425.00	8,044.25			6,033.19	6,464.13	-430.94	8,977.50
	10+625.000	TO	10+875.000	250.00	7,598.38			5,698.78	333.50	5,365.28	2,751.25
	10+875.000	TO	11+125.000	250.00							
Ramp B-2	10+450.000	TO	10+600.000	150.00	1,915.25			1,436.44	2,997.13	(1,560.69)	2,908.75
	10+600.000	TO	10+754.300	154.30	907.79			680.84	1,774.21	(1,093.36)	3,744.68
Ramp B-3	10+000.000	TO	10+175.000	175.00							
	10+175.000	TO	10+375.000	200.00	9,179.00			6,884.25	1,180.75	5,703.50	1,040.00
	10+375.000	TO	10+575.000	200.00	8,826.50			6,621.38	127.25	6,494.13	1,841.25
	10+575.000	TO	10+700.000	125.00							
	10+700.000	TO	11+000.000	300.00	2,118.25			1,588.69	11,624.13	(10,035.44)	4,976.25
	11+000.000	TO	11+156.000	156.00	1,492.50			5,783.49	9,232.57	(3,449.08)	7,689.10
I/C Grading A-3/B-5/B-3										0.00	1,250.00
I/C Grading WMD/B-5/B-3					9,858.00					850.00	2,100.00
Ramp B-4	10+013.000	TO	10+250.000	237.00	9,856.07			7,392.05	977.78	6,464.27	1,440.95
	10+250.000	TO	10+475.000	225.00	5,453.69			4,090.27	3,332.67	757.60	6,659.55
	10+475.000	TO	11+044.000	569.00	3,600.00					0.00	1,800.00
I/C Grading WMD/B-4/B-6											
Ramp B-5	10+062.950	TO	10+425.000	362.05	1,464.50			1,098.37	9,176.29	(8,077.91)	7,088.22
	10+425.000	TO	10+550.000	125.00							
	10+550.000	TO	11+050.000	500.00	5,792.25			4,344.19	2,174.00	2,170.19	3,192.50
Ramp B-6	10+020.730	TO	10+075.000	54.27	1,322.30			991.72	8.97	982.76	186.45
	10+075.000	TO	10+203.450	128.45	6,510.88			4,883.16	1.00	4,882.16	661.40
WAR MEM DRIVE	39+965.070	TO	39+500.000	465.07	184.93		0.00	61,870.34	86,589.35	(23,869.01)	66,440.35
	39+500.000	TO	39+500.000	0.00	350.00			262.61	89.67	173.93	734.87
	39+500.000	TO	39+850.000	350.00	891.88			668.91	737.75	(68.84)	2,437.50
	39+850.000	TO	40+175.000	325.00	735.75			551.81	1,971.13	(1,419.31)	3,600.00
	40+175.000	TO	40+480.82	305.82	458.03			459.28	3,845.25	(3,385.97)	3,662.50
MEDIAN Sod Area								343.52	1,155.98	(812.46)	1,962.00
Mail Access Area											6,240.78
					3,048.17			2,286.13	7,798.78	(5,512.66)	3,148.20
WAR MEM DR SUBTOTAL:					3,048.17	0.00	0.00	2,286.13	7,798.78	(5,512.66)	21,785.85
STAGE 3 SUBTOTAL:					121,627.96	0.00	0.00	80,008.10	102,984.37	(22,126.28)	106,473.89
I-74 WB MAINLINE SUBTOTAL:					21,135.50	0.00	0.00	15,851.63	8,596.24	7,255.39	18,247.70
RAMPS SUBTOTAL:					97,444.29	0.00	0.00	61,870.34	86,589.35	(23,869.01)	66,440.35
WAR MEMORIAL DR SUBTOTAL:					3,048.17	0.00	0.00	2,286.13	7,798.78	(5,512.66)	21,785.85
TOTAL					121,628	0	0	80,008	102,984	(22,126)	106,474

SUMMARY OF EARTHWORK				EARTH EXCAVATION	TOP SOIL, FURNISH AND PLACE 100 MM
I-74 WB	141+900.000	TO	144+718.000	21,135.50	18,247.70
RAMP A-3	10+225.000	TO	10+700.000	5,791.38	8,132.50
RAMP A-4					
RAMP B-1	10+200.000	TO	11+125.000	15,642.63	11,728.75
RAMP B-2	10+450.000	TO	10+754.300	2,823.04	6,653.43
RAMP B-3	10+075.000	TO	11+156.000	39,187.57	18,896.60
RAMP B-4	10+013.000	TO	11+044.000	18,909.76	9,900.50
RAMP B-5	10+062.950	TO	11+050.000	7,256.75	10,280.72
RAMP B-6	10+020.730	TO	10+203.450	7,833.18	847.85
WMD	38+965.131	TO	40+480.800	3,048.17	18,637.65
WMD Median Included Above				0.00	
MAIL ACC	9+936.557	TO		9+986.557	3,148.20
TOTAL				121,628	106,474
				FURNISHED EXCAVATION	
				Phase 3A	
				SUBTOTAL	
				TOTAL	
				22,126.28	
				22,126.28	
				22,126	

EARTH EXCAVATION	1000-2A	3000-2A
FURNISHED EXCAVATION	3,048	118,580
TOP SOIL FURNISHED AND PLACE 100 MM	5,513	16,614
	21,786	84,688

REVISIONS		ILLINOIS DEPARTMENT OF TRANSPORTATION
NAME	DATE	
		EARTHWORK SCHEDULE FAI ROUTE 74 (I-74) (WB)



DRAWN BY CADD
CHECKED BY MWP
DATE 11/12/04

F.A. RTE.	SECTION	COUNTY	TOTAL SHEETS	SHEET NO.
74	(72-7)R-3	PEORIA	1360	49
STA.		TO STA.		
FED. ROAD DIST. NO.		ILLINOIS FED. AID PROJECT		

GUARDRAIL EROSION CONTROL AGGREGATE SCHEDULE												
					STEEL PLATE BEAM GUARDRAIL, TYPE A	WIDTH	DEPTH	VOLUME	GUARDRAIL AGGREGATE EROSION CONTROL	GEOTEXTILE FABRIC	ARTICULATED BLOCK REVTMENT MAT	REMARK
LOCATIONS	STA	OFFSET	TO	STA	OFFSET	M	M	M	CU M	M TON	SQ M	SQ M
	144+150.000	15.08 M LT										208.87
	144+280.000	56.39 M LT										103.95
FAI ROUTE 74 (I-74)												
Ramp A-3	10+378.155	2.40 M RT	TO	10+385.000	2.30 M RT	10.75	0.75	0.20	2.0425	4.96	8.06	
	10+362.421		TO	10+341.421		10.02	0.75	0.20	1.9038	4.63	7.52	
Ramp B-2	10+726.331		TO	10+780.262	2.40 M RT	53.93	0.75	0.20	10.2467	24.90	40.45	
Ramp B-3	10+518.382	2.40M RT	TO	10+550.000	2.40M RT	31.62	0.75	0.20	6.0078	14.60	23.72	
	10+669.630(B3)	2.40M RT	TO	10+695.850(B3)		26.22	0.75	0.20	4.9818	12.11	19.67	
Ramp B-5	10+390.710(B5)	2.654 M RT	TO	10+419.620(B5)	2.654 M RT	28.91	0.75	0.20	5.4929	13.35	21.68	
MAINLINE WB	144+150.000	13.80 M RT	TO	144+250.000	13.80 M RT	100.00	0.75	0.20	19	46.17	75.00	
	144+250.000	13.80 M RT	TO	144+325.000	13.80 M RT	75.00	0.75	0.20	14.25	34.63	56.25	
	144+325.000	13.80 M RT	TO	144+718.000	13.80 M RT	393.00	0.75	0.20	74.67	181.45	294.75	
War Memorial Dr				39+910.000	45.00 M RT	75.00	0.75	0.20	14.25	34.63	56.25	
				TOTAL	1000-2A					34.63	56.25	
				TOTAL	J000-2A					337	547.1	312.8
				TOTAL						371	603	312.8
										J000-2A	J000-2A	J000-2A

EXPANSION JOINT SCHEDULE					
					EXPANSION JOINT 75 MM
LOCATIONS	STA	OFFSET	TO	STA	M
FAI ROUTE 74 (I-74)					
Ramp B 5				143+167.573	4.90
Ramp A 3				143+700.000	8.90
RAMP A 4				10+345.280	6.70
Ramp B 2				10+104.517	9.60
				TOTAL FOR J000-2A	30

REVISIONS		ILLINOIS DEPARTMENT OF TRANSPORTATION GUARDRAIL EROSION CONTROL FAI ROUTE 74 (I-74) (WB) EXPANSION JOINT SCHEDULE
NAME	DATE	



DRAWN BY CADD
CHECKED BY RSC
DATE 11/12/04

F.A. RTE.	SECTION	COUNTY	TOTAL SHEETS	SHEET NO.
74	(72-79R-3)	PEORIA	1360	50
STA.		TO STA.		
FED. ROAD DIST. NO.		ILLINOIS FED. AID PROJECT		

				PERMANENT SEEDING SCHEDULE										
LOCATION	STA	TO	STA	LENGTH M	WIDTH M Avg	AREA 100MM TOP SOIL SQ M CADD	SODDING SALT TOLERANT SQ M	SUPPLEMENTAL WATERING UNIT	SEEDING CLASS 2A (1.3 OR FLATTER) HA	NITROGEN FERTILIZER NUTRIENT KG	PHOSPHORUS FERTILIZER NUTRIENT KG	POTASSIUM FERTILIZER NUTRIENT KG	MULCH METHOD 3 OR FLATTER) (1.3 OR FLATTER) HA	
STAGE 3														
I-74 MAINLINE, WB	141+900.000	TO	141+950.000	50.00		295.00			0.03	2.95	2.95	2.95	0.03	
I-74 MAINLINE, WB	141+950.000	TO	142 + 300.000	350.00		2,087.50			0.21	20.88	20.88	20.88	0.21	
I-74 MAINLINE, WB	142 + 300.000	TO	142 + 650.000	350.00		5,690.00			0.57	56.90	56.90	56.90	0.57	
I-74 MAINLINE, WB	142 + 650.000	TO	143 + 000.000	350.00		1,643.75			0.16	16.44	16.44	16.44	0.16	
I-74 MAINLINE, WB	143 + 000.000	TO	143 + 300.000	300.00		956.25			0.10	9.56	9.56	9.56	0.10	
I-74 MAINLINE, WB	143 + 300.000	TO	143 + 650.000	350.00		570.00			0.06	5.70	5.70	5.70	0.06	
I-74 MAINLINE, WB	143 + 650.000	TO	143 + 950.000	300.00		0.00			0.00	0.00	0.00	0.00	0.00	
I-74 MAINLINE, WB	143 + 950.000	TO	144 + 250.000	350.00		4,978.75			0.50	49.79	49.79	49.79	0.50	
I-74 MAINLINE, WB	144 + 250.000	TO	144 + 325.000	75.00		303.75			0.03	3.04	3.04	3.04	0.03	
I-74 MAINLINE, WB	144 + 325.000	TO	144 + 600.000	275.00		1,045.00			0.10	10.45	10.45	10.45	0.10	
I-74 MAINLINE, WB	144 + 600.000	TO	144 + 718.000	118.00		677.70			0.07	6.78	6.78	6.78	0.07	
STAGE 3-A SUBTOTAL:						18,248	0	0	1.8	182	182	182	2	
RAMPS														
Ramp A-3	10+225.000	TO	10+375.000	150.00		2,815.00			0.28	28.15	28.15	28.15	0.28	
Bridge	10+375.000	TO	10+450.000											
	10+450.000	TO	10+700.000	250.00		5,317.50			0.53	53.18	53.18	53.18	0.53	
Ramp A-4	10+345.280	TO	10+371.000	25.72										
	10+371.000	TO	10+490.000	119.00										
	10+490.010	TO	10+635.290	145.30										
Ramp B-1	10+200.000	TO	10+625.000	425.00		8,977.50			0.90	89.78	89.78	89.78	0.90	
	10+625.000	TO	10+875.000	BRIDGE										
	10+875.000	TO	11+125.000	250.00		2,751.25			0.28	27.51	27.51	27.51	0.28	
Ramp B-2	10+450.000	TO	10+600.000	150.00		2,908.75			0.29	29.09	29.09	29.09	0.29	
	10+600.000	TO	10+754.300	154.30		3,744.68			0.37	37.45	37.45	37.45	0.37	
Ramp B-3	10+175.000	TO	10+375.000	200.00		1,040.00			0.10	10.40	10.40	10.40	0.10	
	10+375.000	TO	10+575.000	200.00		1,841.25			0.18	18.41	18.41	18.41	0.18	
	10+586.000	TO	10+700.000	BRIDGE										
	10+700.000	TO	11+000.000	300.00		4,976.25			0.50	49.76	49.76	49.76	0.50	
	11+000.000	TO	11+156.000	156.00		7,689.10			0.77	76.89	76.89	76.89	0.77	
I/C Grading A-3/B-5/B-3						1,250.00			0.13	12.50	12.50	12.50	0.13	
I/C Grading WMD/B-5/B-3						2,100.00			0.21	21.00	21.00	21.00	0.21	
Ramp B-4	10+013.000	TO	10+250.000	237.00		1,440.95			0.14	14.41	14.41	14.41	0.14	
	10+250.000	TO	10+475.000	BRIDGE										
	10+475.000	TO	11+044.000	569.00		6,659.55			0.67	66.60	66.60	66.60	0.67	
I/C Grading WMD/B-4/B-6						1,800.00			0.18	18.00	18.00	18.00	0.18	
Ramp B-5	10+062.950	TO	10+425.000	362.05		7,088.22			0.71	70.88	70.88	70.88	0.71	
	10+425.000	TO	10+550.000	BRIDGE										
	10+550.000	TO	11+050.000	500.00		3,192.50			0.32	31.93	31.93	31.93	0.32	
Ramp B-6	10+020.730	TO	10+175.000	154.23		186.45			0.02	1.86	1.86	1.86	0.02	
	10+175.000	TO	10+203.450	28.45		661.40			0.07	6.61	6.61	6.61	0.07	
RAMPS SUBTOTAL:						66,440	0	0	7	664	664	664	7	

REVISIONS		ILLINOIS DEPARTMENT OF TRANSPORTATION PERMANENT SEEDING FAI ROUTE 74 (I-74) (WB)
NAME	DATE	

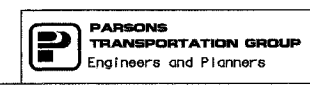


DRAWN BY CADD
CHECKED BY RSC
DATE 11/12/04

F.A. RTE.	SECTION	COUNTY	TOTAL SHEETS	SHEET NO.
74	(72-71R-3)	PEORIA	1360	51
STA.		TO STA.		
FED. ROAD DIST. NO.		ILLINOIS FED. AID PROJECT		

				PERMANENT SEEDING SCHEDULE									
LOCATION	STA	TO	STA	LENGTH M	WIDTH M Avg	AREA 100MM TOP SOIL SQ M CADD	SODDING SALT TOLERANT SQ M	SUPPLEMENTAL WATERING UNIT	SEEDING CLASS 2A (L3 OR FLATTER) HA	NITROGEN FERTILIZER NUTRIENT KG	PHOSPHORUS FERTILIZER NUTRIENT KG	POTASSIUM FERTILIZER NUTRIENT KG	MULCH METHOD 3 OR FLATTER) HA (L3)
STAGE 3													
WAR MEM DRIVE	38+965.070	TO	39+150.000	184.93	3.97	734.87		2,000.00	0.07	7.35	7.35	7.35	0.07
	39+150.000	TO	39+500.000	350.00	6.96	2,437.50			0.24	24.38	24.38	24.38	0.24
Median	39+555.000		39+650.000	95.00	5.36	508.73	508.73						
	39+500.000	TO	39+850.000	350.00	10.29	3,600.00			0.36	36.00	36.00	36.00	0.36
Median	39+650.000		39+850.000	200.00	8.21	1,642.00	1,642.00						
	39+850.000	TO	40+175.000	325.00	8.32	3,662.50			0.37	36.63	36.63	36.63	0.37
Median	39+850.000		40+175.000	325.00	8.21	2,668.25	2,668.25						
	40+175.000	TO	40+480.82	90.00	21.80	1,962.00			0.20	19.62	19.62	19.62	0.20
Median	40+175.000		40+265.000	90.00	7.8	702.00	702.00						
Median	40+358.000		40+480.000	122.00	5.9	719.80	719.80						
	WAR MEM DR SUBTOTAL:					18,637.65	6,240.78	2,000.00	1.24	123.97	123.97	123.97	1.24
SCENIC DRIVE	10+050.000	TO	10+288.277	238.77									
MALL ACCESS	9+936.557	TO	9+986.557	50.00		3,148.20	3,148.20	1,000.00					
BRANDYWINE DR	39+385.798	TO	39+458.410	80.00									
GLEN AVENUE	101+038.000	TO	101+181.340	143.34									
STERLING AVE	100+910.908	TO	100+970.889	80.00									
	STAGE 3 SUBTOTAL:					106,474	9,389	3,000	9.7	971	971	971	9.7

WB I-74 SUBTOTAL:	18,248	-	-	2	182	182	182	2
RAMPS SUBTOTAL:	66,440	-	-	7	664	664	664	7
WAR MEM DR SUBTOTAL:	18,638	6,241	2,000	1	124	124	124	1
SCENIC DR SUBTOTAL:								
MALL ACCESS SUBTOTAL:								
BRANDYWINE DR SUBTOTAL:	3,148	3,148	1,000					
GLEN AVE SUBTOTAL:								
STERLING AVE SUBTOTAL:								
TOTAL	106,474	9,389	3,000	9.7	971	971	971	9.7
TOTAL FOR I000-2A	21,786	9,389	3,000	1.2	124	124	124	1.2
TOTAL FOR J000-2A	84,688	-	-	8.5	847	847	847	8.5



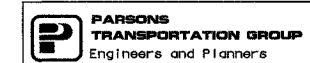
REVISIONS		ILLINOIS DEPARTMENT OF TRANSPORTATION PERMANENT SEEDING FAI ROUTE 74 (I-74) (WB)
NAME	DATE	

DRAWN BY CADD
CHECKED BY MWP
DATE 11/12/04

F.A. - RTE.	SECTION	COUNTY	TOTAL SHEETS	SHEET NO.
74	(72-7)R-3	PEORIA	1360	52
STA.		TO STA.		
FED. ROAD DIST. NO.		ILLINOIS FED. AID PROJECT		

LOCATION	STA	TO	STA	LENGTH M	WIDTH M	AREA (CADD CALCS) SQ M	TEMPORARY EROSION CONTROL SEEDING KG	SEEDING CLASS 7 HA	MULCH METHOD 2 HA	TEMPORARY EROSION CONTROL SCHEDULE		
										EROSION CONTROL BLANKET SQ M	EROSION CONTROL BARRIER M	FENCE (EROSION CONTROL) M
STAGE 3							4 app at 110kg/Ha					
MAINLINE												
I-74 MAINLINE, WB	141+900.000	TO	141+950.000	50.00		295.00		0.03	0.03			
I-74 MAINLINE, WB	141+950.000	TO	142 + 300.000	350.00		2,087.50		0.21	0.21	12.00		
I-74 MAINLINE, WB	142 + 300.000	TO	142 + 650.000	350.00		5,690.00		0.57	0.57			
I-74 MAINLINE, WB	142 + 650.000	TO	143 + 000.000	350.00		1,643.75		0.16	0.16			
I-74 MAINLINE, WB	143 + 000.000	TO	143 + 300.000	300.00		956.25		0.10	0.10		65.00	
I-74 MAINLINE, WB	143 + 300.000	TO	143 + 650.000	350.00		570.00		0.06	0.06			
I-74 MAINLINE, WB	143 + 650.000	TO	143 + 950.000	300.00		0.00		0.00	0.00		355.00	
I-74 MAINLINE, WB	143 + 950.000	TO	144 + 250.000	350.00		4,978.75		0.50	0.50		770.00	
I-74 MAINLINE, WB	144 + 250.000	TO	144 + 325.000	75.00		303.75		0.03	0.03			
I-74 MAINLINE, WB	144 + 325.000	TO	144 + 600.000	275.00		1,045.00		0.10	0.10		300.00	
I-74 MAINLINE, WB	144 + 600.000	TO	144 + 718.000	118.00		677.70		0.07	0.07		125.00	
STAGE 3 SUBTOTAL:							0	1.8	1.8	12.0	0	1,615
RAMPS												
Ramp A-3	10+225.000	TO	10+375.000	150.00		2,815.00		0.28	0.28			
Bridge	10+375.000	TO	10+450.000									
	10+450.000	TO	10+700.000	250.00		5,317.50		0.53	0.53			
Ramp A-4	10+345.280	TO	10+371.000	25.72								
	10+371.000	TO	10+490.000	119.00								
	10+490.010	TO	10+635.290	145.30								
Ramp B-1	10+200.000	TO	10+625.000	425.00		8,977.50		0.90	0.90			
	10+625.000	TO	10+875.000	BRIDGE								
	10+875.000	TO	11+125.000	250.00		2,751.25		0.28	0.28			
Ramp B-2	10+450.000	TO	10+600.000	150.00		2,908.75		0.29	0.29			
	10+600.000	TO	10+754.300	154.30		3,744.68		0.37	0.37			
Ramp B-3	10+175.000	TO	10+375.000	200.00		1,040.00		0.10	0.10			
	10+375.000	TO	10+575.000	200.00		1,841.25		0.18	0.18			
	10+586.000	TO	10+700.000	BRIDGE								
	10+700.000	TO	11+000.000	300.00		4,976.25		0.50	0.50			
	11+000.000	TO	11+156.000	156.00		7,689.10		0.77	0.77			
I/C Grading A-3/B-5/B-3						1,250.00		0.13	0.13			
I/C Grading WMD/B-5/B-3						2,100.00		0.21	0.21			
Ramp B-4	10+013.000	TO	10+250.000	237.00		1,440.95		0.14	0.14			
	10+250.000	TO	10+475.000	BRIDGE								
	10+475.000	TO	11+044.000	569.00		6,659.55		0.67	0.67		445.00	
I/C Grading WMD/B-4/B-6						1,800.00		0.18	0.18			
Ramp B-5	10+062.950	TO	10+425.000	362.05		7,088.22		0.71	0.71			
	10+425.000	TO	10+550.000	BRIDGE								
	10+550.000	TO	11+050.000	500.00		3,192.50		0.32	0.32			
Ramp B-6	10+020.730	TO	10+175.000	154.23		186.45		0.02	0.02			
	10+175.000	TO	10+203.450	28.45		661.40		0.07	0.07			
RAMPS SUBTOTAL:							0	6.6	6.6		0	445

LOCATION	OFFSET	INLET AND PIPE PROTECTION
STATION	TO	STATION
141+900.000	TO	141+950.000
141+950.000	TO	142+300.000
142+300.000	TO	142+650.000
10+324.340	TO	10+499.020
10+021.520	TO	10+146.230
10+829.200	TO	10+977.000
10+028.800	TO	10+190.010
10+700.000	TO	10+850.000
142+650.000	TO	143+000.000
143+000.000	TO	143+300.000
143+000.000	TO	143+650.000
143+650.000	TO	143+950.000
143+950.000	TO	144+250.000
144+250.000	TO	144+600.000
144+600.000	TO	144+718.000
WAR MEMORIAL DR		
38+765.000	TO	39+150.000
39+150.000	TO	39+500.000
39+500.000	TO	39+850.000
39+850.000	TO	40+175.000
40+175.000	TO	40+500.000
Total for 1000-2A		96
Total for J000-2A		141
STAGE 3 TOTAL:		237



REVISIONS	
NAME	DATE

ILLINOIS DEPARTMENT OF TRANSPORTATION
TEMPORARY EROSION CONTROL SCHEDULE
FAI ROUTE 74 (I-74) (WB)

DATE 11/12/04

DRAWN BY CADD
CHECKED BY RSC

F.A. RTE.	SECTION	COUNTY	TOTAL SHEETS	SHEET NO.
74	(72-7)R-3	PEORIA	1360	53
STA.		TO STA.		
FED. ROAD DIST. NO.		ILLINOIS FED. AID PROJECT		

TEMPORARY EROSION CONTROL SCHEDULE												
LOCATION	STA	TO	STA	LENGTH M	WIDTH M	AREA (CADD CALCS) SQ M	TEMPORARY EROSION CONTROL SEEDING KG	SEEDING CLASS 7 HA	MULCH, METHOD 2 HA	EROSION CONTROL BLANKET SQ M	EROSION CONTROL BARRIER M	FENCE (EROSION CONTROL) M
STAGE 3							4 app at 110kg/Ha					
MAINLINE												
WAR MEM DRIVE	38+965.070	TO	39+150.000	184.93								
	39+150.000	TO	39+500.000	350.00								
	39+500.000	TO	39+850.000	350.00								170.00
	39+850.000	TO	40+175.000	325.00								120.00
	40+175.000	TO	40+480.82	305.82								
			WAR MEM DR SUBTOTAL:				0.00	0.00	0.00	0.00	0.00	290.00
SCENIC DRIVE	10+050.000	TO	10+288.277	238.77								
MALL ACCESS	9+936.557	TO	9+986.557	50.00								
BRANDYWINE DR	39+385.798	TO	39+458.410	80.00								
GLEN AVENUE	101+038.000	TO	101+181.340	143.34								
STERLING AVE	100+910.908	TO	100+970.889	80.00								
			STAGE 3 SUBTOTAL:				0	8	8	12	0	2,350

Prior to beginning Earthwork or structure removal perimeter erosion barrier shall be placed in accordance with the typical application of silt filter fence detail and section 280 of the Standard Specifications for Road and Bridge Construction and as directed by the Engineer.

Temporary ditch checks shall be placed immediately upon disturbance of existing slopes in accordance with the temporary erosion control Special provisions and Section 280 of the Standard Specifications for Road and Bridge Construction and as directed by the Engineer.

WB 1-74	SUBTOTAL:							1.8	1.8	12		1,615
RAMPS	SUBTOTAL:							6.6	6.6			445
WAR MEM DR	SUBTOTAL:											290
SCENIC DR	SUBTOTAL:											
MALL ACCESS	SUBTOTAL:											
BRANDYWINE DR	SUBTOTAL:											
GLEN AVE	SUBTOTAL:											
STERLING AVE	SUBTOTAL:											
TOTAL								8.5	8.5	12		2,350
TOTAL FOR 1000-2A												290
TOTAL FOR 0000-2A								8.5	8.5	12		2,060

REVISIONS		ILLINOIS DEPARTMENT OF TRANSPORTATION TEMPORARY EROSION CONTROL SCHEDULE FAI ROUTE 74 (1-74) (WB)
NAME	DATE	
		DRAWN BY CADD CHECKED BY RSC DATE 11/12/04



F.A. RTE.	SECTION	COUNTY	TOTAL SHEETS	SHEET NO.
74	(72-7)R-3	PEORIA	1360	54
STA.		TO STA.		
FED. ROAD DIST. NO.		ILLINOIS FED. AID PROJECT		

	STA	OFFSET	PERMANENT SURVEY MARKERS - TYPE II	FURNISHING AND ERECTING RIGHT OF WAY MARKERS	FURNISHING AND ERECTING RIGHT OF WAY MARKERS WMD/OTHER STS
			FA	EACH	EACH
Sterling	100+098.176	63.414 M RT			1
	100+095.132	66.367 M RT			1
	100+092.114	32.322 M RT			1
	100+082.005	14.649 M RT			1
Scenic	010+119.856	25.156 M RT			1
	010+124.586	25.181 M RT			1
	010+137.026	18.288 M RT			1
	010+174.850	20.513 M RT			1
	010+199.167	24.533 M RT			1
	143+148.984	49.757 M LT		1	
	143+149.087	48.333 M LT		1	
	143+203.309	55.375 M LT		1	
	143+205.124	57.691 M LT		1	
	143+204.673	70.462 M LT		1	
	143+234.998	82.900 M LT		1	
143+254.335	77.664 M LT		1		
143+279.188	60.198 M LT		1		
143+303.688	58.321 M LT		1		
143+421.987	64.791 M LT		1		
143+436.748	99.099 M LT		1		
WMD	100+885.221	63.243 M RT			1
	100+889.367	73.538 M RT			1
	100+928.850	73.462 M RT			1
RAMP 1 AT WMD	100+929.365	68.456 M RT			1
	N451492.7934	E746040.0019	1		
TOTAL			1000-2A	11	13

LOCATIONS	STA	TO	STA	WATER (DUST CONTROL)	APPLY DUST SUPPRESSION AGENTS	SOIL STABILIZERS	STREET SWEEPING	DUST CONTROL PADS
	FAI ROUTE 74 (WESTBOUND)			UNITS	UNITS	KG	HOUR	EACH
				2000gal/ap X3.8 L/gal/1000		2 App X2250kg/ha		
I-74 MAINLINE, WB	141+900.000	TO	144+325.000	395	988	60,750	122	1
RAMP A -3	10+000.000	TO	10+700.000			3,645	50	
RAMP A -4	10+345.280	TO	10+635.280					
RAMP B-1	10+137.970	TO	11+143.980			4,545	50	
RAMP B-2	10+192.810	TO	10+753.821			3,780	50	
RAMP B-3	10+000.000	TO	11+156.310			7,020	50	
RAMP B-4	10+012.490	TO	11+044.450			3,645	50	
RAMP B-5	10+019.180	TO	11+093.960			4,635	50	1
RAMP B-6	10+020.730	TO	10+203.450			383	20	
WM DRIVE	38+965.070	TO	40+480.820					
I-74 MAINLINE, WB	144+325.000	TO	144+718.000			7,740	40	
TOTAL (J000-2A)				395	988	96,143	482	2

STA	LOCATION	Size	Plus 30 %			CLASS B PATCHES, TYPE II, 250 MM	DOWEL BARS 38 MM	SAW CUTS	
			Number	Area/Each	Dowels/Each				Saw Cuts/Each
				SQ M	Each	Meter	SQ M	EACH	METER
	WMD Westbound	3.6M X 1.8M	74	6.48	20	14.4	480.168	1,482	1,067
	WMD Eastbound	3.6M X 1.8M	44	6.48	20	14.4	286.416	884	636
SUBTOTAL			118				767	2,366	1,704
TOTALS	J000-2A						767	2,366	1,704



REVISIONS	
NAME	DATE

ILLINOIS DEPARTMENT OF TRANSPORTATION
RIGHT OF WAY
 FAI ROUTE 74 (I-74) (WB)
DUST CONTROL & PATCHES
 DRAWN BY CADD
 CHECKED BY RSC
 DATE 11/12/04

F.A. RTE.	SECTION	COUNTY	TOTAL SHEETS	SHEET NO.
74	(72-7)R-3	PEORIA	1360	56
STA.		TO STA.		
FED. ROAD DIST. NO.		ILLINOIS FED. AID PROJECT		

MAINLINE PAVEMENT REMOVAL SUMMARY				LENGTH (CADD)	THICK	WIDTH		AREA (CADD CALCS)	BITUMINOUS SURFACE REMOVAL (COLD MILLING)	BITUMINOUS SURFACE REMOVAL - BUTT JOINT	PAVEMENT REMOVAL	PAVED SHOULDER REMOVAL	CONCRETE MEDIAN REMOVAL	SIDEWALK REMOVAL	COMB CURB & GUTTER REMOVAL	GUARDRAIL REMOVAL	FENCE REMOVAL	TREE REMOVAL IS TO 15 UNITS DIAMETER	TREE REMOVAL (HECTARES)
LOCATION	STA	TO	STA	M	M	M	M	SO M	SO M	SO M	SO M	SO M	SO M	SO M	M	M	M	UNIT	HECTARE
						Pav't	Shdrs												
STAGE 3																			
BI AND B4 SHT	010+443.000	TO	010+850.000																
Ramp B-4	010+850.000	TO	010+940.000															407.00	264.00
Old Ramp, WMD	39+900.000	TO	10+550.000	296.00		4.90	4.2				1,450.40	1,243.20							
	10+550.000	TO	10+725.000	185.22		4.90	2.4				907.56	444.52							
	10+725.000	TO	10+800.000	75.00		4.90	3.6				659.25	484.34							
	10+800.000	TO	10+925.000	125.00		4.90	2.4				626.76	306.98							
	10+925.000	TO	11+033.960	108.96		4.90	2.4				827.90	405.50							
Ramp B-6	10+719.790	TO	10+785.370															41.37	
	10+020.730	TO	10+175.000	154.23															
	10+175.000	TO	10+203.450	28.45															
			RAMPS SUBTOTAL:						0		23,236	14,017	0		0	758	41	264	0.4
WAR MEM DRIVE	38+974.067	TO	39+150.000	175.93			3.65		4,926.12										
	38+965.067	TO	38+974.067	9.00		29.26				263.35									
	40+471.100	TO	40+480.100	9.00		21.94				197.50									
SE Corner													27.78	9.20	92.41				
NW Corner													59.47		138.78				
SW Corner													28.00	80.56	109.18				
N Median													29.23		73.24				
Sterling Median													35.00						
													106.17						
NE Corner Island	39+150.000	TO	39+500.000	350.00			3.65		9,800.00			332.82							
SE Corner Island													18.42		503.92				
NW Corner													101.76		296.00				
SW Corner	39+500.000	TO	39+850.000	350.00			3.65		6,650.00				101.76		112.17				
Westside													73.12		93.20				
Median													26.09		65.37				
Eastside	39+450.000	TO	39+675.000	225.00			0.7						40.85		40.85				
Left	39+850.000	TO	40+175.000	50.00			3.65						755.39		323.33				
	39+850.000	TO	40+175.000	325.00					4,875.00				171.71		190.00				
Eastside													646.30						
Westside													987.17						
Eastside	40+175.000	TO	40+471.100	296.10									1,123.29						
Westside													690.79						
Eastside													5,376.40	1,166.36	89.76	3,522.65	0.00	0.00	3,731.00
Westside									30,692.62	460.85	0.00	5,376.40							0.25
			WAR MEM DR SUBTOTAL:																
SCENIC DRIVE	10+059.000	TO	10+200.000	141.00		Var													
	10+050.000	TO	10+059.000	9.00		18.00			3,384.00		141.36								
MALL ACCESS	9+936.557	TO	9+986.557	50.00															
	09+936.557	TO	09+945.557	9.00															
BRANDYWINE DR	39+385.798	TO	39+458.410	80.00			Var												
	39+385.798	TO	39+394.798	9.00		6.98			80.00										
	39+448.857	TO	39+457.857	9.00		8.20													
GLEN AVENUE	101+038.000	TO	101+080.457	42.46			Var												
	101+038.000	TO	101+072.662	34.66			Var		849.14										
	101+071.457	TO	101+080.457	9.00		18.24			1,035.93										
	101+070.662	TO	101+096.062	25.40		7.33													
STERLING AVE	100+910.908	TO	100+970.889	60.00			Var												
	100+910.908	TO	100+919.908	9.00		23.62			2,240.00										
FRONTAGE RD	39+346.675	TO	39+355.675	9.00		8.37													
			STAGE 3 TOTAL:						38,282	1,337	69,442	22,672	1,329	90	3,902	1,051	131	4,931	1.9

WB I-74 SUBTOTAL																				
RAMPS SUBTOTAL																				
WAR MEM DR SUBTOTAL	30,693	461																		
SCENIC DR SUBTOTAL	3,384	162																		
MALL ACCESS SUBTOTAL		59																		
BRANDYWINE DR SUBTOTAL	80	137																		
GLEN AVE SUBTOTAL	1,885	230																		
STERLING AVE SUBTOTAL	2,240	211																		
FRONTAGE RD SUBTOTAL		75																		
GRAND TOTAL	38,282	1,337																		
Total for 1000-2A	38,282	1,337																		
Total for 4000-2A																				

REVISIONS		ILLINOIS DEPARTMENT OF TRANSPORTATION PAVEMENT REMOVAL SCHEDULE FAI ROUTE 74 (I-74) (WB)
NAME	DATE	
		DRAWN BY CADD CHECKED BY RSC DATE 11/12/04



F.A. RTE.	SECTION	COUNTY	TOTAL SHEETS	SHEET NO.
74	(72-7)R-3	PEORIA	1360	57
STA.		TO STA.		
FED. ROAD DIST. NO.		ILLINOIS FED. AID PROJECT		

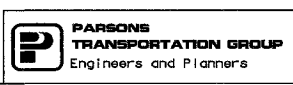
MAINLINE				LENGTH	OFFSET	LT/RT	SEWER REMOVAL					REMOVING MANHOLES	REMOVING INLETS	REMOVING CATCH BASINS	MANHOLE TO BE ADJUSTED	CONCRETE HEADWALL REMOVAL	CONCRETE HEADWALL REMOVAL	REMOVE EXISTING CULVERT	PAVED DITCH REMOVAL			
LOCATION	STA	TO	STA				M	M	300 MM	450 MM	600 MM									750 MM	900 MM	1200 MM
STAGE 3																						
I-74 MAINLINE, WB	141+900.000	TO	141+950.000	50.00																13.00		
			141+938.000		11.35	LT																
			141+938.000		9.32	RT																
I-74 MAINLINE, WB	141+950.000	TO	142+300.000	350.00																		
			142+063.000		1.93	RT																
			142+128.000		1.55	RT																
			142+189.000		1.55	RT																
			142+242.000		55.00	LT																
			142+250.000		2.33	RT																
I-74 MAINLINE, WB	142+300.000	TO	142+650.000	350.00																		
			142+312.000		2.93	RT		2.54														
			142+439.000		4.20	RT																
			142+513.000		2.83	RT		2.50														
			143+594.000		2.82	RT		2.50														
I-74 MAINLINE, WB	142+650.000	TO	143+000.000	350.00																		
			142+662.000		2.70	RT		2.50														
			142+730.000		2.70	RT		2.50														
			142+750.000		11.60	LT																
			142+800.000		3.30	RT		2.50														
			142+875.000		3.05	RT		2.50														
			142+875.000		12.00	LT																
			142+913.000			across																
			142+950.000		3.24	RT		2.50			20.41											
I-74 MAINLINE, WB	143+000.000	TO	143+300.000	300.00																		
			143+005.000		15.00	LT																
			143+025.000		2.65	RT		2.50														
			143+050.000		22.83	LT		80.00														
			143+052.000		13.46	LT																
			143+100.000		2.55	RT		2.50														
			143+126.000		16.49	LT																
			143+148.000		16.50	LT																
			143+176.000		3.56	RT																
			143+176.000		18.67	LT																
			143+247.000		3.61	RT																
			143+295.000		28.00	LT																
I-74 MAINLINE, WB	143+300.000	TO	143+650.000	350.00																		
			143+318.000		2.66	RT		2.50														
			143+395.000		2.74	RT		2.50														
			143+400.000		28.60	LT																
			143+470.000		2.74	RT		2.50														
			143+498.000		3.00	RT																
			143+498.000		61.53	LT																
			143+545.000		2.48	RT		2.50			21.04											
			10+850.000		5.72	LT																
			10+850.000		5.72	LT																
I-74 MAINLINE, WB	143+650.000	TO	143+950.000	300.00																		
			143+690.000		2.68	RT		2.50														
			143+755.000		2.78	RT		2.50														
			143+840.000		2.73	RT		2.50														
			143+905.000		41.38	RT																
			143+914.000		2.90	RT		2.50														
			10+500.000		5.43	RT																
			10+495.000			across																
			10+495.000		3.35	RT																
			10+495.000		10.00	LT																
			10+246.000			across																
			10+246.000		3.48	LT																
			10+246.000		19.24	RT																
			10+700.000		13.60	LT																
I-74 MAINLINE, WB	143+950.000	TO	144+250.000	300.00																		
			143+990.000		2.84	RT		2.50														
			144+020.000			across																
			144+020.000		27.11	LT																
			144+025.000		38.69	RT																
			144+057.000		2.82	RT		2.50														
			144+060.000		29.99	LT																
			144+145.000		2.82	RT		2.50														
			144+215.000		2.87	RT		2.50														
I-74 MAINLINE, WB	144+250.000	TO	144+600.000	350.00																		
			144+300.000		2.85	RT		2.50														
			144+370.000		2.85	RT		2.50														
			144+450.000		2.85	RT		2.50														
			144+520.000		2.34	RT		2.50														
			144+552.000			across																
			144+552.000		27.23	LT																
			144+589.000		2.34	RT		2.50														
I-74 MAINLINE, EB	144+600.000		144+718.000	118.00																		
			144+668.000		2.40	RT		2.50														
			144+673.000		2.40	RT		2.50														
			144+700.000			across																
			144+700.000		24.79	LT																
STAGE 3 SUBTOTAL:								155	0	59	44	51	30	4	30	0	12	9	15.6	0	671	0

REVISIONS	
NAME	DATE

ILLINOIS DEPARTMENT OF TRANSPORTATION
SEWER, DRAINAGE STRUCTURE REMOVAL
AND ADJUSTMENT SCHEDULE
FAI ROUTE 74 (I-74) (WB)

DATE 11/12/04

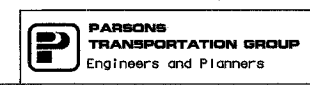
DRAWN BY CADD
CHECKED BY RSC



F.A. RTE.	SECTION	COUNTY	TOTAL SHEETS	SHEET NO.
74	(72-71R-3)	PEORIA	1360	58
STA.		TO STA.		
FED. ROAD DIST. NO.		ILLINOIS FED. AID PROJECT		

MAINLINE				LENGTH M	OFFSET M	LT/RT	SEWER REMOVAL						REMOVING MANHOLES EACH	REMOVING INLETS EACH	REMOVING CATCH BASINS EACH	MANHOLE TO BE ADJUSTED EACH	CONCRETE HEADWALL REMOVAL EACH	CONCRETE HEADWALL REMOVAL CU M	REMOVE EXISTING CULVERT METER	PAVED DITCH REMOVAL M
LOCATION	STA	TO	STA				300 MM M	450 MM M	600 MM M	750 MM M	900 MM M	1200 MM M								
STAGE 3																				
WAR MEM DRIVE	38+965.070	TO	39+150.000	184.93																
			38+966.000		15.01	LT														
			38+975.000		3.59	LT														
			39+000.000		3.60	LT														
			38+998.000		15.36	LT														
			39+003.000		19.65	LT		42.03												
			39+073.000		21.21	RT														
			39+100.000		19.19	RT		33.35												
			39+105.000		17.94	RT														
	39+150.000	TO	39+500.000	350.00																
			39+173.000			RT		4.30												
			39+173.000		15.08	RT														
			39+173.000		4.36	RT														
			39+173.000		0.76	LT														
			39+173.000		15.43	LT														
			39+256.000		15.36	LT														
			39+294.000			Across		2.2												
			39+294.000		16.60	RT														
			39+294.000		1.40	RT														
			39+294.000		1.30	LT														
			39+294.000		3.84	LT														
			39+338.000		15.69	LT														
			39+350.000		16.62	RT														
			39+386.000		2.65	LT														
			39+386.000		26.13	RT														
			39+393.000		26.10	RT			5.8											
			39+393.000		26.13	RT														
			39+400.000		28.20	RT														
	39+500.000	TO	39+850.000	350.00																
			39+537.000		18.18	LT		3.5												
			39+537.000		3.00	RT		1.5												
			39+537.000		17.73	LT														
			39+537.000		2.10	RT														
			39+633.000		117.50	LT		17.5												
			39+633.000		117.50	LT														
			39+633.000		12.86	LT														
			39+750.000		55.24	LT														
			39+775.000		54.06	LT														
			39+800.000		14.00	LT														
			39+800.000		0.00	Across		15.00												
			39+850.000		44.32	LT														
			39+847.000		66.39	LT														
			39+847.000		34.59	LT														
	39+450.000	TO	39+675.000	225.00																
	39+850.000	TO	39+900.000	50.00																
	39+850.000	TO	40+175.000	325.00																
			39+852.000		37.99	LT		16												
			39+856.000		54.67	LT														
			39+900.000			LT			20.00											
			39+900.000		48.41	LT														
			39+879.000		20.61	LT														
			39+884.000		37.99	LT														
			39+892.000		55.10	LT														36
			39+892.000		53.05	LT														
			39+947.000		61.39	RT														
			39+962.000		22.70	LT		23.00												
			39+963.000		0.50	RT														
			40+135.000		18.73	RT														
	40+175.000	TO	40+480.82	305.82																
			40+283.000		26.21	RT														33.93
			40+184.000		18.34	RT														
			40+268.000		30.61	RT														
			40+300.000		38.54	RT														
	Ramp B-3		10+440.000			LT														
			10+752.000			RT		15.5	4.40											
			10+752.000			RT														
			10+675.000			LT														96.5
			10+675.000			RT														121.2
	Ramp B-5		10+640.000			RT		10.00												
	Ramp B-1		11+020.000			RT			18.76											
			11+040.000		10.95	RT			29.25											
			40+250.000		34.50	RT														77
			40+500.000			LT														
			40+500.000			LT		16.33	86.67											
			40+500.000		18.76	LT														
			40+500.000		24.43	RT														

REVISIONS		ILLINOIS DEPARTMENT OF TRANSPORTATION SEWER, DRAINAGE STRUCTURE REMOVAL AND ADJUSTMENT SCHEDULE FAI ROUTE 74 (I-74) (WB)
NAME	DATE	



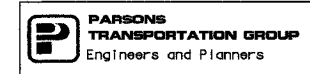
DATE 11/12/04
DRAWN BY CADD
CHECKED BY RSC

F.A. RTE.	SECTION	COUNTY	TOTAL SHEETS	SHEET NO.
74	(72-7)R-3	PEORIA	1360	59
STA.		TO STA.		
FED. ROAD DIST. NO.		ILLINOIS FED. AID PROJECT		

MAINLINE				LENGTH	OFFSET	LT/RT	SEWER REMOVAL						REMOVING MANHOLES	REMOVING INLETS	REMOVING CATCH BASINS	MANHOLE TO BE ADJUSTED	CONCRETE HEADWALL REMOVAL	CONCRETE HEADWALL REMOVAL	REMOVE EXISTING CULVERT	PAVED DITCH REMOVAL		
LOCATION	STA	TO	STA	M	M		300 MM	450 MM	600 MM	750 MM	900 MM	1200 MM	EACH	EACH	EACH	EACH	EACH	CU M	METER	M		
STAGE 3																						
			WAR MEM DR SUBTOTAL:				62.65	120.36	182.08	0.00	0.00			4	11	2	8	22	44.2	23	365	0
SCENIC DRIVE	10+050.000	TO	10+288.277	238.77																		
MALL ACCESS	9+936.557	TO	9+986.557	50.00																		
BRANDYWINE DR	39+385.798	TO	39+458.410	80.00																		
GLEN AVENUE	101+038.000	TO	101+181.340	143.34																		
STERLING AVE	100+910.908	TO	100+970.889	80.00																		
STAGE 3 SUBTOTAL:							218	120	241	44	51	30		8	41	2	20	31	59.8	23	1,036	0

WB I-74 SUBTOTAL:							155	-	59	44	51	30		4	30	-	12	9	15.6	-	671	-	
WAR MEM DR SUBTOTAL:							63	120	182	-	-	-		4	11	2	8	22	44.2	23	365	-	
SCENIC DR SUBTOTAL:							-	-	-	-	-	-		-	-	-	-	-	-	-	-	-	
MALL ACCESS SUBTOTAL:							-	-	-	-	-	-		-	-	-	-	-	-	-	-	-	
BRANDYWINE DR SUBTOTAL:							-	-	-	-	-	-		-	-	-	-	-	-	-	-	-	
GLEN AVE SUBTOTAL:							-	-	-	-	-	-		-	-	-	-	-	-	-	-	-	
STERLING AVE SUBTOTAL:							-	-	-	-	-	-		-	-	-	-	-	-	-	-	-	
TOTAL							218	120	241	44	51	30		8	41	2	20	31	59.8	23	1,036	-	
Total for 1000-2A							63	120	182	-	-	-		4	11	2	8	22	44.2	23	365	-	
Total for 4000-2A							155	-	59	44	51	30		4	30	-	12	9	15.6	-	671	-	-

REVISIONS		ILLINOIS DEPARTMENT OF TRANSPORTATION SEWER, DRAINAGE STRUCTURE REMOVAL AND ADJUSTMENT SCHEDULE FAI ROUTE 74 (I-74) (WB)
NAME	DATE	
		DRAWN BY CADD CHECKED BY RSC DATE 11/12/04



F.A. RTE.	SECTION	COUNTY	TOTAL SHEETS	SHEET NO.
74	(72-7)R-3	PEORIA	1360	60
STA.		TO STA.		
FED. ROAD DIST. NO.		ILLINOIS	FED. AID PROJECT	

STA	LOCATION	OFFSET	REMOVAL OF EXISTING LIGHT POLE AND FOUNDATION		REMOVE CONCRETE FOUNDATION -OVERHEAD (War Mem Dr	REMOVAL OF LUMINAIRE		RELOCATE EXISTING LIGHT POLE
			EACH	EACH	EACH	EACH	EACH	
			I-74	WMD		I-74	WMD	
143+145.000	I-74	LT	1			1		
143+232.000	I-74	LT	1			1		
010+920.000	B -5	RT	1			1		
010+860.000	B -5	RT	1			1		
143+440.000	I-74	LT	1			1		
143+476.000	I-74	LT	1			1		
143+542.000	I-74	LT	1			1		
143+615.000	I-74	LT	1			1		
010+756.000	B -5	RT	1			1		
010+240.000	B -4	RT	1			1		
010+916.000	B -1	RT	1			1		
010+680.000	B-2	RT	1			1		
010+410.000	B-6	RT	1			1		
010+540.000	B-2	RT	1			1		
010+410.000	B-2	LT	1			1		
010+353.000	B-2	LT	1			1		
010+640.000	B-1	LT	1			1		
010+505.000	B-1	LT	1			1		
010+560.000	B-4	RT	1			1		
010+680.000	B-4	RT	1			1		
010+745.000	B-4	RT	1			1		
010+803.000	B-4	RT	1			1		
010+430.000	B-1	RT	1			1		
010+360.000	B-1	RT	1			1		
010+270.000	B-1	RT						
010+208.000	B-1	RT						
010+870.000	B-4	RT	1			1		
010+938.000	B-4	RT	1			1		
010+980.000	B-4	RT						
011+035.000	B-4	RT						
039+072.000	WMD	RT		1			1	
039+085.000	WMD	LT		1			1	
039+130.000	WMD	RT		1			1	
039+406.000	WMD	RT		1			1	
039+445.000	WMD	LT		1			1	
010+098.000	Scenic Dr	RT		1			1	
039+780.000	WMD	RT		1			1	
039+840.000	WMD	LT		1			1	
039+870.000	WMD	RT		1			1	
039+902.000	WMD	LT		1			1	
039+942.000	WMD	RT		1			1	
039+960.000	WMD	RT		1			1	
040+070.000	WMD	LT		1			1	
040+348.000	WMD	RT		1			1	
040+408.000	WMD	RT		1			1	
010+025.000	B-5	RT	1			1		
010+100.000	B-5	RT	1			1		
010+915.000	B-3	RT	1			1		
010+602.000	B-5	RT	1			1		
010+095.000	B-6	LT	1			1		
011+030.000	B-1	LT	1			1		
011+075.000	B-1	LT	1			1		
010+202.000	B-6	LT & RT			2			
100+940.000	Sterling Ave	RT						
SUBTOTAL			33	15	2	33	15	0
TOTALS			1000-2A	1000-2A	1000-2A	1000-2A	1000-2A	48

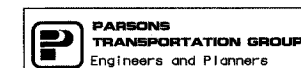
REVISIONS		ILLINOIS DEPARTMENT OF TRANSPORTATION LIGHTING REMOVAL FAI ROUTE 74 (I-74) (WB)
NAME	DATE	
		DRAWN BY CADD CHECKED BY RSC DATE 11/12/04



F.A. RTE.	SECTION	COUNTY	TOTAL SHEETS	SHEET NO.
74	(72-74R-3)	PEORIA	1360	61
STA.		TO STA.		
FED. ROAD DIST. NO.		ILLINOIS FED. AID PROJECT		

LOCATION	STA	TO	STA	LENGTH M	WIDTH M	AREA (CADD CALCS) SQ M	AGGREGATE SUB-BASE M TON	SUB-BASE GRANULAR, TYPE A (150 MM) M TON	SUB-BASE GRANULAR, TYPE A (300 MM) M TON	SUB-BASE GRANULAR, TYPE B (150 MM) M TON	AGGREGATE SHOULDERS TYPE B M TON	AGGREGATE SURFACE COURSE, TYPE B, 200MM SQ M	
STAGE 3							M TON T = .30 Wt = 2.43 MT/M3				M TON 0.43cm/m		
I-74 MAINLINE, WB	141+900.000	TO	141+950.000	50.00	13.61	680.50	496.08					104.49	
I-74 MAINLINE, WB	141+950.000	TO	142 + 300.000	350.00	13.61	4,763.50	3,472.59					548.57	
I-74 MAINLINE, WB	142 + 300.000	TO	142 + 650.000	350.00	13.61	4,763.50	3,472.59						
	142 + 300.000	TO	142 + 425.000	125.00									
	142 + 425.000	TO	142 + 610.000	185.00									
	142 + 610.000	TO	142 + 650.000	40.00									
I-74 MAINLINE, WB	142 + 650.000	TO	143 + 000.000	350.00	13.61	4,763.50	3,472.59						
I-74 MAINLINE, WB	143 + 000.000	TO	143 + 300.000	300.00	14.21	4,263.00	3,107.73						
	143 + 000.000	TO	143 + 083.000	83.00		0.00							
	143 + 083.000	TO	143 + 213.000	130.00		0.00							
	143 + 213.000	TO	143 + 300.000	87.00		0.00							
Access Rd RT			10+610.000(A3)			221.65						221.65	
I-74 MAINLINE, WB	143 + 300.000	TO	143 + 650.000	350.00	14.21	4,973.50	3,625.68						
I-74 MAINLINE, WB	143 + 650.000	TO	143 + 950.000	300.00	14.21	4,263.00	3,107.73						
I-74 MAINLINE, WB	143 + 950.000	TO	144 + 250.000	300.00	14.21	4,263.00	3,107.73					313.47	
	144 + 150.000		144+260.000			458.19						458.19	
I-74 MAINLINE, WB	144 + 250.000	TO	144 + 325.000	75.00	Var	1,200.75	875.35					78.37	
I-74 MAINLINE, WB	144 + 325.000	TO	144 + 600.000	275.00	17.81	4,897.75	3,570.46					287.35	
I-74 MAINLINE, WB	144 + 600.000		144 + 718.000	118.00	17.81	2,101.58	1,532.05					123.30	
STAGE 3 SUBTOTAL:							29,841	0	0	0		1,456	680
RAMPS												.28 cm/m	
Ramp A-3	10+000.000	TO	10+090.049	90.05	Var	234.13	170.68					122.54	
	10+090.049	TO	10+225.000	134.95	8.1	1,093.10	796.87					183.64	
	10+225.000	TO	10+390.000	165.00	9.60	1,584.00	1,154.74					224.53	
Approach	10+390.000	TO	10+399.000	9.00									
Bridge	10+399.000	TO	10+444.000										
Approach	10+444.000	TO	10+453.000	9.00									
	10+453.000	TO	10+575.000	122.00	10.20	1,244.40	907.17					166.02	
	10+575.000	TO	10+700.000	125.00	10.20	1,275.00	929.48					170.10	
Ramp A-4	10+345.280	TO	10+371.000	25.72	2.65	68.16	49.69					35.00	
	10+371.000	TO	10+490.000	119.00	2.65	315.35	229.89					161.94	
	10+490.010	TO	10+635.290	145.30	2.65	385.05	280.70					197.72	
Ramp B-1	10+137.966	TO	10+250.000	112.03	9.6	1,075.53	784.06					152.46	
	10+250.000	TO	10+420.000	170.00	9.6	1,632.00	1,189.73					231.34	
	10+420.000	TO	10+500.000	80.00	10.2	816.00	594.86					108.86	
	10+500.000	TO	10+650.000	150.00	10.2	1,530.00	1,115.37					204.12	
	10+650.000	TO	10+698.000	48.00	10.2	489.60	356.92					65.32	
Bridge Approach	10+698.000	TO	10+707.000	9.00									
Bridge	10+707.000	TO	10+850.000										
Bridge Approach	10+850.000	TO	10+859.000	9.00									
	10+859.000	TO	10+904.000	45.00	10.2	459.00	334.61					61.24	
	10+904.000	TO	10+963.000	59.00	7.55	445.45	324.73					80.29	
	10+963.000	TO	11+052.000	89.00	7.55	671.95	489.85					121.11	
	11+052.000	TO	11+168.669	116.67	6.95	810.85	591.11					158.76	

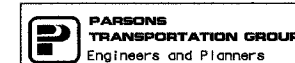
REVISIONS		ILLINOIS DEPARTMENT OF TRANSPORTATION AGGREGATE SUB-BASE SCHEDULE FAI ROUTE 74 (I-74) (WB)
NAME	DATE	
		DRAWN BY CADD CHECKED BY RSC DATE 11/12/04



F.A. RTE.	SECTION	COUNTY	TOTAL SHEETS	SHEET NO.
74	(72-71R-3)	PEORIA	1360	62
STA.		TO STA.		
FED. ROAD DIST. NO.		ILLINOIS FED. AID PROJECT		

LOCATION	STA	TO	STA	LENGTH M	WIDTH M	AREA (CADD CALCS) SQ M	AGGREGATE SUB-BASE M TON	SUB-BASE GRANULAR, TYPE A (150 MM) M TON	SUB-BASE GRANULAR, TYPE A (300 MM) M TON	SUB-BASE GRANULAR, TYPE B (150 MM) M TON	AGGREGATE SHOULDERS TYPE B M TON	AGGREGATE SURFACE COURSE, TYPE B, 200MM SQ M
STAGE 3							Wt = 2.43 MT/M3				0.43cm/m	
Ramp B-2	10+074.334	TO	10+195.000	120.67	9.85	1,188.56	866.46					164.20
	10+195.000	TO	10+351.450	156.45	Var	1,835.16	1,337.83					212.90
	10+351.450	TO	10+430.000	78.55	Var	1,193.96	870.40					106.89
	10+430.000	TO	10+550.000	120.00	7.55	906.00	660.47					163.30
Gore Left B-2	10+430.000	TO	10+550.000	120.00	Var	318.00	231.82					
	10+550.000	TO	10+730.000	180.00	9.6	1,728.00	1,259.71					244.94
	10+730.000	TO	10+778.000	48.00	7.55	362.40	264.19					65.32
Gore Left B-2	10+730.000	TO	10+778.000	48.00	Var	127.00	92.58					
	10+778.000	TO	10+950.000	172.00	Var	928.80	677.10					234.06
Ramp B-3	10+000.000	TO	10+125.000	125.00	8.1	1,012.50	738.11					170.10
	10+125.000	TO	10+225.000	100.00	12.2	1,220.00	889.38					136.08
	10+225.000	TO	10+380.000	155.00	10.2	1,581.00	1,152.55					210.92
	10+380.000	TO	10+425.000	45.00	10.8	486.00	354.29					61.24
	10+425.000	TO	10+586.000	161.00	10.2	1,642.20	1,197.16					219.09
Bridge Approach	10+577.000	TO	10+586.000	9.00								
	10+586.000	TO	10+670.000	84.00								
Bridge Approach	10+670.000	TO	10+679.000	9.00								
	10+679.000	TO	10+725.000	46.00	10.2	469.20	342.05					62.60
	10+725.000	TO	10+830.000	105.00	10.2	1,071.00	780.76					142.88
	10+830.000	TO	11+075.000	245.00	9.6	2,352.00	1,714.61					333.40
	11+075.000	TO	11+156.310	81.31	9.6	780.58	569.04					110.65
Ramp B-4	10+011.880	TO	10+027.000	15.12	Var	160.27	116.84					20.58
	10+027.000	TO	10+102.000	75.00	10.2	765.00	557.69					102.06
	10+102.000	TO	10+150.000	48.00	7.55	362.40	264.19					65.32
	10+150.000	TO	10+277.300	127.30	7.55	961.11	700.65					173.23
Approach Slab	10+277.300	TO	10+286.300	9.00								
	10+286.300	TO	10+412.539	126.24								
Approach Slab	10+412.539	TO	10+421.539	9.00								
	10+421.539	TO	10+500.000	78.46	10.2	800.30	583.42					106.77
	10+500.000	TO	10+675.000	175.00	10.2	1,785.00	1,301.27					238.14
	10+675.000	TO	10+720.000	45.00	Var	580.50	423.18					61.24
	10+720.000	TO	10+750.000	30.00	Var	360.00	262.44					40.82
	10+750.000	TO	10+972.450	222.45	9.6	2,135.52	1,556.79					302.71
Ramp B-5	10+050.000	TO	10+150.000	100.00	9.6	960.00	699.84					68.04
	10+150.000	TO	10+225.000	75.00	9.6	720.00	524.88					51.03
	10+225.000	TO	10+275.000	50.00	10.2	510.00	371.79					34.02
	10+275.000	TO	10+403.000	128.00	10.2	1,305.60	951.78					87.09
Approach	10+403.000	TO	10+412.000	9.00								
Bridge	10+412.000	TO	10+515.000	103.00								
Approach	10+515.000	TO	10+524.000	9.00								
	10+524.000	TO	10+680.000	156.00	10.2	1,591.20	1,159.98					212.28
	10+680.000	TO	10+725.000	45.00	10.2	459.00	334.61					61.24
	10+725.000	TO	10+905.000	180.00	10.2	1,836.00	1,338.44					244.94
	10+905.000	TO	11+093.960	188.96	8.75	1,653.40	1,205.33					257.14
Ramp B-6	10+000.000	TO	10+049.000	49.00	10.2	499.80	364.35					66.68
	10+049.000	TO	10+060.000	11.00	10.2	112.20	81.79					14.97
Gore Left	10+049.000	TO	10+060.000	11.00	Var	38.50	81.79					
	10+060.000	TO	10+180.000	120.00	10.2	1,224.00	892.30					163.30
	10+180.000	TO	10+202.000	22.00	8.15	179.30	130.71					29.94
Gore Left	10+180.000	TO	10+202.000	22.00	Var	8.58	163.59					
	10+202.000	TO	10+360.000	158.00	Var	829.50	604.71					215.01
RAMPS SUBTOTAL:							38,971	0	0	0	7,700	0

REVISIONS		ILLINOIS DEPARTMENT OF TRANSPORTATION AGGREGATE SUB-BASE SCHEDULE FAI ROUTE 74 (I-74) (WB)
NAME	DATE	
		DRAWN BY CADD CHECKED BY RSC DATE 11/12/04



F.A. RTE.	SECTION	COUNTY	TOTAL SHEETS	SHEET NO.
74	(72-7)R-3	PEORIA	1360	63
STA.		TO STA.		
FED. ROAD DIST. NO.		ILLINOIS	FED. AID PROJECT	

LOCATION	STA	TO	STA	LENGTH M	WIDTH M	AREA (CADD CALCS) SQ M	AGGREGATE SUB-BASE M TON T= .30 Wt = 2.43 MT/M3	SUB-BASE GRANULAR, TYPE A (150 MM) M TON	SUB-BASE GRANULAR, TYPE A (300 MM) M TON	SUB-BASE GRANULAR, TYPE B (150 MM) M TON	AGGREGATE SHOULDERS TYPE B M TON 0.43cm/m	AGGREGATE SURFACE COURSE, TYPE B, 200MM SQ M
STAGE 3												
WAR MEM DRIVE	38+965.070	TO	39+025.000	59.93	Var	182.79						
Bit Pavt	38+965.070	TO	39+450.000	485.00	Var							
	39+025.000	TO	39+450.000	425.00	3.65	1,190.00		1,239.30				
Bit Pavt	39+450.000	TO	39+675.000	225.00	Var							
	39+450.000	TO	39+674.323	224.32	4.05	628.10		298.44				
Left	39+450.000	TO	39+675.000	225.00	0.7	188.63		188.63				
LT	39+674.323	TO	40+109.618	435.30	Var							
Ramp B-5 Widen	39+852.365	TO	39+931.624	79.26	Var	138.70		50.56				
	39+931.624	TO	39+982.579	50.95	Var	331.21		120.73				
	39+982.579	TO	40+026.573	43.99	3.6	158.38		57.73				
	40+026.573	TO	40+086.821	60.25	Var	117.48		42.82				
Ramp B-6 Widen	39+551.513	TO	39+624.676	73.16	Var	139.01		50.67				
	39+624.676	TO	39+674.316	49.64	Var	181.19		66.04				
	39+674.316	TO	39+689.274	14.96	Var	62.08		22.63				
	39+689.274	TO	39+894.262	204.99	Var	860.95		313.82				
	39+894.262	TO	40+109.618	215.36	Var	893.73		325.76				
Left	39+715.600	TO	39+960.000		Var	653.39						
Bit Pavt	39+675.000	TO	39+900.000	225.00	0.6	135.00						
	39+850.000	TO	39+900.000	50.00	3.65	0.00						
Bit Pavt	39+900.000	TO	40+175.000	275.00	Var							
Left	40+109.618	TO	40+376.676	267.06	Var	1,170.29		157.70				
Right	40+109.618	TO	40+376.676	267.06	Var	203.42		350.43				
Ramp B-6 Widen	40+109.618	TO	40+156.668	47.05	Var	317.59		115.76				
	40+156.668	TO	40+157.998	1.33	Var	8.98		3.27				
	40+157.998	TO	40+248.811	90.81	Var	186.17		67.86				
Right	40+270.000	TO	40+320.000		Var	118.09						
Right	40+360.000	TO	40+480.82		Var	144.00						
2 X Insides	40+371.000	TO	40+480.000	109.00	1.2	261.60						
Bit Pavt	40+175.000	TO	40+480.82	305.82	Var							
WAR MEMORIAL DR SUBTOTAL:							0.00	3,472.14	0.00	0.00	0.00	0.00
SCENIC DRIVE	10+050.000	TO	10+288.277	238.77	19.34	4,617.81						
	10+109.196	TO	10+238.738	129.54				809.32				
	10+238.738	TO	10+288.277	49.54				433.37				
MALL ACCESS	9+936.557	TO	9+986.557	50.00	8.4	420.00		177.15				
BRANDYWINE DR	39+385.798	TO	39+458.410	80.00	Var					74.65		
GLEN AVENUE, LT	101+030.000	TO	101+080.457	50.46	Var					93.43		
GLEN AVENUE, RT	101+030.000	TO	101+107.062	77.06						142.69		
FRONTAGE RD	39+346.675	TO	39+391.760	45.08	Var	423.75				84.13		
STERLING AVE	100+910.908	TO	100+970.889	80.00	Var	1,892.00						
STAGE 3 SUBTOTAL:							68,812	3,472	1,420	252	9,156	680
									4,892			

WB I-74 SUBTOTAL:							29,841	-	-	-	1,456	680
RAMPS SUBTOTAL:							38,971	-	-	-	7,700	-
WAR MEM DR SUBTOTAL:							-	3,472	-	-	-	-
SCENIC DR SUBTOTAL:							-	-	1,243	-	-	-
MALL ACCESS SUBTOTAL:							-	-	177	-	-	-
BRANDYWINE DR SUBTOTAL:							-	-	-	75	-	-
GLEN AVE SUBTOTAL:							-	-	-	93	-	-
FRONTAGE RD SUBTOTAL:							-	-	-	84.1	-	-
STERLING AVE SUBTOTAL:							-	-	-	-	-	-
TOTAL							68,812	3,472	1,420	252	9,156	680
Total for I000-2A							-	3,472	1,420	252	-	-
Total for J000-2A							68,812	-	-	-	9,156	680

REVISIONS		ILLINOIS DEPARTMENT OF TRANSPORTATION AGGREGATE SUB-BASE SCHEDULE FAI ROUTE 74 (I-74) (WB)
NAME	DATE	
		DRAWN BY CADD CHECKED BY RSC DATE 11/12/04

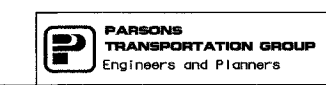


Parsons Transportation Group
Engineers and Planners

F.A. RTE.	SECTION	COUNTY	TOTAL SHEETS	SHEET NO.
74	(72-7)R-3	PEORIA	1360	64
STA.		TO STA.		
FED. ROAD DIST. NO.		ILLINOIS FED. AID PROJECT		

MAINLINE PAVEMENT SUMMARY			LENGTH	WIDTH	AREA (CADD CALCS)	CONTINUOUSLY REINFORCED FCC PAVEMENT 250 MM	PAVEMENT REINFORCEMENT 250 MM	PORTLAND CEMENT CONCRETE PAVEMENT (JOINTED) 250 MM	PORTLAND CEMENT CONCRETE SHOULDERS 250 MM	PORTLAND CEMENT CONCRETE SHOULDERS 250 MM	WHITEWASH	GEOTECHNICAL FABRIC FOR GROUND STABILIZATION	BRIDGE APPROACH PAVEMENT, SPECIAL	PORTLAND CEMENT CONCRETE BASE COURSE 240 MM	TOTAL AREA
LOCATION	STA	TO STA	M	M	SQ M	SQ M	SQ M	SQ M	SQ M	SQ M	SQ M	SQ M	SQ M	SQ M	SQ M
STAGE 3															
									Codd	LT	RT				
									LT	Codd	RT				
L-74 MAINLINE, WB	141+900.000	TO 141+950.000	50.00	7.2		360.00	360.00		158.00	150.00		685.50	618.00		668.00
L-74 MAINLINE, WB	141+950.000	TO 142+200.000	250.00	7.2	1,800.00	1,800.00	1,800.00	790.00	750.00	3,427.50	3,090.00				3,340.00
	142+200.000	TO 142+300.000	100.00	Var	809.00	809.00		316.00	240.00	1,400.00	1,265.00				1,365.00
L-74 MAINLINE, WB	142+300.000	TO 142+465.035	165.04	Var	1,755.97	1,755.97		521.51	297.06	2,532.31	2,409.51				2,574.55
	142+465.035	TO 142+650.000	184.96	7.2	1,368.03	1,368.03		584.49		2,517.25	2,367.55				2,552.52
	142+650.000	TO 142+650.000	0.00	Var	332.94	332.94				332.94	332.94				332.94
L-74 MAINLINE, WB	142+650.000	TO 142+817.831	167.83	7.2	1,240.38	1,240.38		719.95	546.79	2,596.86	2,679.29				2,907.12
	142+817.831	TO 143+000.000	182.17	Var	1,020.72	1,020.72		386.05	293.21	1,742.74	1,517.81				1,695.88
L-74 MAINLINE, WB	143+000.000	TO 143+137.760	137.76	Var	1,488.50	1,488.50		435.32	330.62	2,302.66	2,116.68				2,254.44
	143+137.760	TO 143+300.000	162.24	7.2	1,168.13	1,168.13		512.68		1,731.59	1,518.57				1,680.81
	143+300.000	TO 143+300.000	0.00	Var	292.03	292.03				292.03	292.03				292.03
L-74 MAINLINE, WB	143+300.000	TO 143+650.000	350.00	7.2	2,520.00	2,520.00		1,106.00	960.00	4,708.50	4,236.00				4,586.00
	143+650.000	TO 143+730.576	80.58	Var	339.55	339.55				339.55	339.55				339.55
L-74 MAINLINE, WB	143+730.576	TO 143+820.000	89.42	Var	308.96	308.96				340.26	340.26				308.96
L-74 MAINLINE, WB	143+820.000	TO 144+146.191	326.19	7.2	2,348.48	2,348.48		619.96		2,101.21	1,836.35				2,032.54
	144+146.191	TO 144+229.917	83.73	Var	946.81	946.81				987.49	946.81				946.81
	144+229.917	TO 144+416.191	186.28	7.2	1,345.00	1,345.00				0.00	0.00				0.00
	144+416.191	TO 144+416.191	0.00	Var	30.00	30.00				0.00	0.00				0.00
	144+416.191	TO 144+250.000	166.81	Var	1,313.18	1,313.18				1,926.70	1,786.55				1,890.36
L-74 MAINLINE, WB	144+250.000	TO 144+325.000	75.00	10.8	810.00	810.00				237.00	225.00				1,272.00
L-74 MAINLINE, EB	144+325.000	TO 144+600.000	275.00	10.8	2,970.00	2,970.00		869.00	825.00	4,760.25	4,389.00				4,664.00
L-74 MAINLINE, EB	144+600.000	TO 144+718.000	118.00	10.8	1,274.40	1,274.40				372.88	354.00				2,001.28
Guardrail Aggregate Erosion Control Area															547.00
STAGE 3 SUBTOTAL:						26,691	26,691	0	15,026	6,121	0	0	0	0	41,717
RAMPS															
Ramp A-3	10+120.050	TO 10+172.000	51.95	4.9				254.56		77.93	183.12				515.60
Approach	10+172.000	TO 10+398.505	226.50	4.9			1,109.87			271.81	407.71			1,947.94	1,789.39
Approach	10+398.505	TO 10+441.516	43.01	4.9									82.67		
Approach	10+441.516	TO 10+530.000	88.48	4.9				433.57		106.18	212.36			814.05	752.11
	10+530.000	TO 10+700.000	170.00	4.9			833.00			204.00	408.00			1,564.00	1,445.00
Ramp A-4	10+200.000	TO 10+345.280	145.28	4.9			711.87			36.00	261.50			1,111.07	1,009.38
Ramp B-1	10+137.966	TO 10+250.000	112.03	4.9			548.97			134.44	201.66			963.49	885.07
	10+250.000	TO 10+420.000	170.00	4.9			833.00			204.00	306.00			1,462.00	1,343.00
	10+420.000	TO 10+500.000	80.00	4.9			392.00			230.40	144.00			822.40	766.40
	10+500.000	TO 10+650.000	150.00	4.9			1,080.00			270.00	270.00			1,725.00	1,620.00
Bridge Approach	10+650.000	TO 10+707.585	57.59	4.9			414.61			103.69	103.69			662.23	621.92
Bridge Approach	10+707.585	TO 10+842.264	134.68	4.9									82.67		
Bridge Approach	10+842.264	TO 10+851.264	9.00	9.185									82.67		
	10+851.264	TO 10+904.000	52.74	4.9			324.00			81.00	81.00			517.50	486.00
	10+904.000	TO 10+963.000	59.00	4.9			424.80			106.20	106.20			572.30	531.00
	10+963.000	TO 11+052.000	89.00	4.9			436.10			106.80	106.80			605.20	542.90
	11+052.000	TO 11+43.997	92.00	4.9			450.79			138.00				653.38	588.78
Ramp B-2	10+104.517	TO 10+195.000	90.48	7.2			651.48				162.87			846.02	814.35
	10+195.000	TO 10+351.450	156.45	7.2			1,126.44			497.51	287.61			1,962.32	1,905.56
	10+351.450	TO 10+430.000	78.55	Var			667.67			259.21	141.39			1,123.26	1,068.28
Gore Left B-2	10+430.000	TO 10+550.000	120.00	Var			588.00				216.00			804.00	804.00
	10+550.000	TO 10+730.000	180.00	4.9			318.00							318.00	318.00
	10+730.000	TO 10+753.000	23.00	4.9			112.70				41.40			170.20	154.10
Ramp B-3	10+000.000	TO 10+125.000	125.00	4.9			612.50			395.00				1,095.00	1,007.50
	10+125.000	TO 10+225.000	100.00	4.9			490.00			320.00	240.00			1,120.00	1,050.00
	10+225.000	TO 10+380.000	155.00	4.9			755.50			186.00	372.00			1,498.00	1,317.50
	10+380.000	TO 10+425.000	45.00	4.9			220.50			67.50	81.00			400.50	365.00
	10+425.000	TO 10+586.000	161.00	4.9			788.90			289.80	289.80			1,481.20	1,368.50
	10+586.000	TO 10+725.000	139.00	4.9			225.40			82.80	82.80			423.00	391.00
	10+725.000	TO 10+830.000	105.00	4.9			514.50			189.00	189.00			966.00	892.50
	10+830.000	TO 11+075.000	245.00	4.9			1,200.50			294.00	441.00			2,107.00	1,935.50
	11+075.000	TO 11+353.000	278.00	4.9			382.20			93.60	140.40			670.80	616.20
Ramp B-4	10+011.880	TO 10+027.000	15.12	Var			105.08			18.14	27.22			161.03	150.44
	10+027.000	TO 10+102.000	75.00	4.9			367.50			90.00	135.00			645.00	592.50
	10+102.000	TO 10+150.000	48.00	4.9			235.20			86.40				355.20	321.60
	10+150.000	TO 10+211.300	61.30	4.9			623.77			223.44	94.22			942.62	892.91
	10+211.300	TO 10+500.000	288.70	4.9			384.46			94.15	141.23			674.36	619.84
	10+500.000	TO 10+675.000	175.00	4.9			857.50			210.00	315.00			1,505.00	1,382.50
	10+675.000	TO 10+720.000	45.00	4.9			220.50			175.50	108.00			535.50	504.00
	10+720.000	TO 10+750.000	30.00	4.9			147.00			108.00	54.00			330.00	309.00
	10+750.000	TO 10+972.450	222.45	4.9			1,080.01			266.94	400.41			1,933.07	1,757.36

REVISIONS		ILLINOIS DEPARTMENT OF TRANSPORTATION CONCRETE PAVEMENT SCHEDULE FAI ROUTE 74 (I-74) (WB)
NAME	DATE	

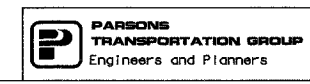


DATE 11/12/04
DRAWN BY CADD
CHECKED BY RSC

F.A. RTE.	SECTION	COUNTY	TOTAL SHEETS	SHEET NO.
74	(72-71R-3)	PEORIA	1360	66
STA.		TO STA.		
FED. ROAD DIST. NO.		ILLINOIS FED. AID PROJECT		

BITUMINOUS PAVEMENT SCHEDULE															
LOCATION	STA	TO	STA	LENGTH M	WIDTH M	AREA (CADD CALCS) SQ M	AGGREGATE SUB-BASE M TON	BIT CONC BINDER COURSE SUPERPAVE, IL 19.0L, (LOW ESAL),150 MM M TON	BIT CONC BINDER COURSE SUPERPAVE, IL 19.0L, (LOW ESAL),100 MM M TON	POLYMERIZED BIT. CONC SURFACE COURSE, SUPERPAVE, MIX E, N70 M TON	POLYMERIZED BIT. CONC BINDER COURSE, SUPERPAVE, IL 19.0, N70 M TON	BITUMINOUS SHOULDERS 200 MM M TON	STRIP REFLECTIVE CRACK CONTROL TREATMENT METER	AGGREGATE (PRIME COAT) M TON 2kg/m2	BITUMINOUS MATERIAL PRIME COAT M TON 2l/m2 .00095 mt/l
STAGE 3															
I-74 MAINLINE, WB	141+900.000	TO	141+950.000	50.00	13.61	680.50	496.08	235.00							1.29
I-74 MAINLINE, WB	141+950.000	TO	142 + 300.000	350.00	13.61	4,763.50	3,472.59	1,644.98							9.05
I-74 MAINLINE, WB	142 + 300.000	TO	142 + 650.000	350.00	13.61	4,763.50	3,472.59	1,644.98							9.05
	142 + 300.000	TO	142 + 425.000	125.00											
	142 + 425.000	TO	142 + 610.000	185.00											
	142 + 610.000	TO	142 + 650.000	40.00											
I-74 MAINLINE, WB	142 + 650.000	TO	143 + 000.000	350.00	13.61	4,763.50	3,472.59	1,644.98							9.05
I-74 MAINLINE, WB	143 + 000.000	TO	143 + 300.000	300.00	14.21	4,263.00	3,107.73	1,474.51							8.10
Access Rd RT			10+610.000(A3)			221.65									
I-74 MAINLINE, WB	143 + 300.000	TO	143 + 650.000	350.00	14.21	4,973.50	3,625.68	1,720.26							9.45
I-74 MAINLINE, WB	143 + 650.000	TO	143 + 950.000	300.00	14.21	4,263.00	3,107.73	1,474.51							8.10
I-74 MAINLINE, WB	143 + 950.000	TO	144 + 250.000	300.00	14.21	4,263.00	3,107.73	1,474.51							8.10
	144 + 150.000	TO	144+260.000			458.19									
I-74 MAINLINE, WB	144 + 250.000	TO	144 + 325.000	75.00	Var	1,200.75	875.35	443.91							2.28
I-74 MAINLINE, WB	144 + 325.000	TO	144 + 600.000	275.00	17.81	4,897.75	3,570.46	1,706.55							9.31
I-74 MAINLINE, WB	144 + 600.000		144 + 718.000	118.00	17.81	2,101.58	1,532.05	732.26							3.99
STAGE 3-A SUBTOTAL:							29,841	14,196	0	0	0	0	0	78	
RAMPS															
Ramp A-3	10+000.000	TO	10+090.049	90.05	Var	234.13	170.68	55.96							0.44
	10+090.049	TO	10+225.000	134.95	8.1	1,093.10	796.87	261.25							2.08
	10+225.000	TO	10+390.000	165.00	9.60	1,584.00	1,154.74	378.58							3.01
Approach	10+390.000	TO	10+399.000	9.00											
Approach	10+399.000	TO	10+444.000	45.00											
	10+444.000	TO	10+453.000	9.00											
	10+453.000	TO	10+575.000	122.00	10.20	1,244.40	907.17	297.41							2.36
	10+575.000	TO	10+700.000	125.00	10.20	1,275.00	929.48	304.73							2.42
Ramp A-4	10+345.280	TO	10+371.000	25.72	2.65	68.16	49.69	16.29							0.13
	10+371.000	TO	10+490.000	119.00	2.65	315.35	229.89	75.37							0.60
	10+490.010	TO	10+635.290	145.30	2.65	385.05	280.70	92.03							0.73
Ramp B-1	10+137.966	TO	10+250.000	112.03	9.6	1,075.53	784.06	257.05							2.04
	10+250.000	TO	10+420.000	170.00	9.6	1,632.00	1,189.73	390.05							3.10
	10+420.000	TO	10+500.000	80.00	10.2	816.00	594.86	195.02							1.55
	10+500.000	TO	10+650.000	150.00	10.2	1,530.00	1,115.37	365.67							2.91
	10+650.000	TO	10+698.000	48.00	10.2	489.60	356.92	117.01							0.93
Bridge Approach	10+698.000	TO	10+707.000	9.00											
Bridge Approach	10+707.000	TO	10+850.000	143.00											
	10+850.000	TO	10+859.000	9.00											
	10+859.000	TO	10+904.000	45.00	10.2	459.00	334.61	109.70							0.87
	10+904.000	TO	10+963.000	59.00	7.55	445.45	324.73	106.46							0.85
	10+963.000	TO	11+052.000	89.00	7.55	671.95	489.85	160.60							1.28
	11+052.000	TO	11+168.669	116.67	6.95	810.85	591.11	193.79							1.54
Ramp B-2	10+074.334	TO	10+195.000	120.67	9.85	1,188.56	866.46	284.07							2.26
	10+195.000	TO	10+351.450	156.45	Var	1,835.16	1,337.83	438.60							3.49
	10+351.450	TO	10+430.000	78.55	Var	1,193.96	870.40	285.36							2.27
	10+430.000	TO	10+550.000	120.00	7.55	906.00	660.47	216.53							1.72
Gore Left B-2	10+430.000	TO	10+550.000	120.00	Var	318.00	231.82	76.00							0.60
	10+550.000	TO	10+730.000	180.00	9.6	1,728.00	1,259.71	412.99							3.28
	10+730.000	TO	10+778.000	48.00	7.55	362.40	264.19	86.61							0.69
Gore Left B-2	10+730.000	TO	10+778.000	48.00	Var	127.00	92.58	30.35							0.24
	10+778.000	TO	10+950.000	172.00	Var	928.80	677.10	221.98							1.76

REVISIONS		ILLINOIS DEPARTMENT OF TRANSPORTATION
NAME	DATE	
		FAI ROUTE 74 (I-74) (WB) BITUMINOUS PAVEMENT SCHEDULE DRAWN BY CADD CHECKED BY RSC DATE 11/12/04



F.A. RTE.	SECTION	COUNTY	TOTAL SHEETS	SHEET NO.
74	(72-7)R-3	PEORIA	1360	67
STA.		TO STA.		
FED. ROAD DIST. NO.		ILLINOIS FED. AID PROJECT		

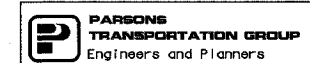
BITUMINOUS PAVEMENT SCHEDULE															
LOCATION	STA	TO	STA	LENGTH M	WIDTH M	AREA (CADD CALCS) SQ M	AGGREGATE SUB-BASE M TON	BIT CONC BINDER COURSE SUPERPAVE, IL 19.0L (LOW ESAL),150 MM M TON	BIT CONC BINDER COURSE SUPERPAVE, IL 19.0L (LOW ESAL),100 MM M TON	POLYMERIZED BIT. CONC SURFACE COURSE, SUPERPAVE, MIX E, N70 M TON	POLYMERIZED BIT. CONC BINDER COURSE, SUPERPAVE, IL 19.0L, N70 M TON	BITUMINOUS SHOULDERS 200 MM M TON	STRIP REFLECTIVE CRACK CONTROL TREATMENT METER	AGGREGATE (PRIME COAT) M TON 2Kg/m2	BITUMINOUS MATERIAL PRIME COAT M TON 2L/m2 .00095 mt/l
STAGE 3															
Ramp B-3	10+000.000	TO	10+125.000	125.00	8.1	1,012.50	738.11		241.99						1.92
	10+125.000	TO	10+225.000	100.00	12.2	1,220.00	889.38		291.58						2.32
	10+225.000	TO	10+380.000	155.00	10.2	1,581.00	1,152.55		377.86						3.00
	10+380.000	TO	10+425.000	45.00	10.8	486.00	354.29		116.15						0.92
	10+425.000	TO	10+586.000	161.00	10.2	1,642.20	1,197.16		392.49						3.12
Bridge Approach	10+577.000	TO	10+586.000	9.00											
	10+586.000	TO	10+670.000	84.00											
Bridge Approach	10+670.000	TO	10+679.000	9.00											
	10+679.000	TO	10+725.000	46.00	10.2	469.20	342.05		112.14						0.89
	10+725.000	TO	10+830.000	105.00	10.2	1,071.00	780.76		255.97						2.03
	10+830.000	TO	11+075.000	245.00	9.6	2,352.00	1,714.61		562.13						4.47
	11+075.000	TO	11+566.310	491.31	9.6	4,716.58	3,509.04		1,065.56						8.48
Ramp B-4	10+011.880	TO	10+027.000	15.12	Var	160.27	116.84		38.31						0.30
	10+027.000	TO	10+102.000	75.00	10.2	765.00	557.69		182.84						1.45
	10+102.000	TO	10+150.000	48.00	7.55	362.40	264.19		86.61						0.69
	10+150.000	TO	10+277.300	127.30	7.55	961.11	700.65		229.71						1.83
Approach Slab	10+277.300	TO	10+286.300	9.00											
	10+286.300	TO	10+412.539	126.24											
Approach Slab	10+412.539	TO	10+421.539	9.00											
	10+421.539	TO	10+500.000	78.46	10.2	800.30	583.42		191.27						1.52
	10+500.000	TO	10+675.000	175.00	10.2	1,785.00	1,301.27		426.62						3.39
	10+675.000	TO	10+720.000	45.00	Var	580.50	423.18		138.74						1.10
	10+720.000	TO	10+750.000	30.00	Var	360.00	262.44		86.04						0.68
	10+750.000	TO	10+972.450	222.45	9.6	2,135.52	1,556.79		510.39						4.06
Ramp B-5	10+050.000	TO	10+150.000	100.00	9.6	960.00	699.84		229.44						1.82
	10+150.000	TO	10+225.000	75.00	9.6	720.00	524.88		172.08						1.37
	10+225.000	TO	10+275.000	50.00	10.2	510.00	371.79		121.89						0.97
	10+275.000	TO	10+403.000	128.00	10.2	1,305.60	951.78		312.04						2.48
Approach	10+403.000	TO	10+412.000	9.00											
Bridge	10+412.000	TO	10+515.000	103.00											
Approach	10+515.000	TO	10+524.000	9.00											
	10+524.000	TO	10+680.000	156.00	10.2	1,591.20	1,159.98		380.30						3.02
	10+680.000	TO	10+725.000	45.00	10.2	459.00	334.61		109.70						0.87
	10+725.000	TO	10+905.000	180.00	10.2	1,836.00	1,338.44		438.80						3.49
	10+905.000	TO	11+093.960	188.96	8.75	1,653.40	1,205.33		395.16						3.14
Ramp B-6	10+000.000	TO	10+049.000	49.00	10.2	499.80	364.35		119.45						0.95
	10+049.000	TO	10+060.000	11.00	10.2	112.20	81.79		26.82						0.21
	10+060.000	TO	10+060.000	0.00	Var	38.50	81.79		9.20						0.07
Gore Left	10+060.000	TO	10+180.000	120.00	10.2	1,224.00	892.30		282.54						2.33
	10+180.000	TO	10+202.000	22.00	8.15	179.30	130.71		42.85						0.34
	10+202.000	TO	10+202.000	0.00	Var	8.58	163.59		2.05						0.02
Gore Left	10+202.000	TO	10+360.000	158.00	Var	829.50	604.71		198.25						1.58
RAMPS SUBTOTAL:							38,971	0	12,707	0	0	0	0	0	101
WAR MEM DRIVE	38+965.070	TO	39+025.000	59.93	Var	1,725.98			156.75		235.13			1.57	3.28
Bit Pavt	39+025.000	TO	39+450.000	425.00	Var	11,496.25			1,044.09		1,566.13		425.00	10.45	21.84
	39+450.000	TO	39+500.000	50.00	3.65	980.00									
Bit Pavt	39+500.000	TO	39+674.316	174.32	Var	6,011.67			545.98		818.97		448.63	5.47	11.42
	39+674.316	TO	39+850.000	175.68	4.05	980.00									
Left	39+850.000	TO	39+850.000	0.00	0.7	143.52									
	39+850.000	TO	40+265.679	415.68									591.36		
Right	39+674.323	TO	40+110.000	435.68	Var	774.22									
Left	39+675.000	TO	39+960.000	285.00	Var	653.39									
Bit Pavt	39+674.316	TO	40+109.618	435.30	Var	6,268.35			569.29		853.94		499.38	5.70	11.91
Ramp B-5 Widen	39+852.365	TO	39+931.624	79.26	Var	138.70			12.60		18.90			0.13	0.26
	39+931.624	TO	39+982.579	50.95	Var	331.21			30.08		45.12			0.30	0.63
	39+982.579	TO	40+026.573	43.99	3.6	158.38			14.38		21.58			0.14	0.30
	40+026.573	TO	40+086.821	60.25	Var	117.48			10.67		16.00			0.11	0.22
Ramp B-6 Widen	39+551.513	TO	39+624.676	73.16	Var	139.01			12.62		18.94			0.13	0.26
	39+624.676	TO	39+674.316	49.64	Var	181.19			16.46		24.68			0.16	0.34
	39+674.316	TO	39+689.274	14.96	Var	62.08			5.64		8.46			0.06	0.12
	39+689.274	TO	39+894.262	204.99	Var	860.95			78.19		117.29			0.78	1.64
	39+894.262	TO	40+109.618	215.36	Var	893.73			81.17		121.75			0.81	1.70
Bit Pavt	39+850.000	TO	39+900.000	50.00	3.65	96.59									
	39+900.000	TO	40+109.618	109.62	Var	4,326.24			392.91		589.36		612.72	3.93	8.22
Ramp B-6 Widen	40+109.618	TO	40+156.668	47.05	Var	317.59			28.84		43.26			0.29	0.60
	40+156.668	TO	40+157.998	1.33	Var	8.98			0.82		1.22			0.01	0.02
	40+157.998	TO	40+248.811	90.81	Var	186.17			16.91		25.36			0.17	0.35
Left	39+990.000	TO	40+480.000	490.00	Var	1,170.29									
Right	40+170.000	TO	40+260.000	90.00	Var	203.42									
Right	40+270.000	TO	40+320.000	50.00	Var	118.09									
Right	40+360.000	TO	40+480.82	120.82	Var	144.00									
2 X Insides	40+371.000	TO	40+480.000	109.00	1.2	261.60									
Bit Pavt	40+376.670	TO	40+480.820	104.15	Var	1,942.40			176.41		264.61		358.44	1.77	3.69
WAR MEMORIAL DR SUBTOTAL:							0.00	0.00	0.00	3,193.81	4,790.71	1,470.55	1,464.99	31.97	66.82

REVISIONS	
NAME	DATE

ILLINOIS DEPARTMENT OF TRANSPORTATION
BITUMINOUS PAVEMENT SCHEDULE
FAI ROUTE 74 (I-74) (WB)

DRAWN BY CADD
CHECKED BY RSC

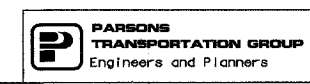
DATE 11/12/04



F.A. RTE.	SECTION	COUNTY	TOTAL SHEETS	SHEET NO.
74	(72-TIR-3)	PEORIA	1360	68
STA.		TO STA.		
FED. ROAD DIST. NO.		ILLINOIS FED. AID PROJECT		

BITUMINOUS PAVEMENT SCHEDULE																
LOCATION	STA.	TO	STA.	LENGTH M	WIDTH M	AREA (CADD CALCS) SQ M	AGGREGATE SUB-BASE M TON	BIT CONC BINDER COURSE SUPERPAVE, IL 19.0L, (LOW ESAL),150 MM M TON	BIT CONC BINDER COURSE SUPERPAVE, IL 19.0L, (LOW ESAL),100 MM M TON	POLYMERIZED BIT. CONC SURFACE COURSE, SUPERPAVE, MIX E, N70 M TON	POLYMERIZED BIT. CONC BINDER COURSE, SUPERPAVE, IL 19.0, N70 M TON	BITUMINOUS SHOULDERS 200 MM M TON	STRIP REFLECTIVE CRACK CONTROL TREATMENT METER	AGGREGATE (PRIME COAT) M TON 2kg/m2	BITUMINOUS MATERIAL PRIME COAT M TON 2l/m2	
STAGE 3																
SCENIC DRIVE	10+050.000	TO	10+109.196	59.20	16.77	992.72				90.16	135.24			1.47	1.89	
	10+109.196	TO	10+238.738	129.54	19.65	2,545.50				231.18	346.77		129.54	3.21	4.84	
	10+238.738	TO	10+288.277	49.54	14.40	713.36				64.79	97.18		99.078	1.23	1.36	
MALL ACCESS	9+936.557	TO	9+986.557	50.00	8.47	423.50				43.23	64.85		50.00	1.24	0.80	
BRANDYWINE DR	39+385.798	TO	39+458.410	80.00	Var	704.00				69.17	103.75		80.00	1.89	1.34	
GLEN AVENUE	101+038.000	TO	101+107.062	127.00	Var	3,322.32				109.81	164.71		254	3.00	6.31	
FRONTAGE RD	39+346.675	TO	39+391.760	45.08	Var	424.65				38.57	57.85		90.2	1.07	0.81	
STERLING AVE	100+910.908	TO	100+970.889	80.00	Var	1,892.00				171.83	257.75			1.72	3.59	
STAGE 3 SUBTOTAL:							68,812	14,196	12,707	3,717	5,575	1,471	2,168	42.4	260.4	
WB 1-74 SUBTOTAL:							29,841	14,196	-	-	-	-	-	-	-	78
RAMP SUBTOTAL:							38,971	-	12,707	-	-	-	-	-	101	
WAR MEM DR SUBTOTAL:							-	-	-	3,194	4,791	1,471	1,465	32	66.8	
SCENIC DR SUBTOTAL:							-	-	-	90	135	-	229	1	1.9	
MALL ACCESS SUBTOTAL:							-	-	-	43	65	-	50	1	0.8	
BRANDYWINE DR SUBTOTAL:							-	-	-	69	104	-	80	2	1.3	
GLEN AVE SUBTOTAL:							-	-	-	110	165	-	254	3	6.3	
FRONTAGE RD SUBTOTAL:							-	-	-	38.6	57.9	-	90.2	1.1	0.8	
STERLING AVE SUBTOTAL:							-	-	-	172	258	-	-	2	3.6	
TOTAL							68,812	14,196	12,707	3,717	5,575	1,471	2,168	42.4	260.4	
Total for 1000-2A							-	-	-	3,717	5,575	1,471	2,168	42.4	81.6	
Total for 1000-2A							-	26,904	-	-	-	-	-	-	-	178.8

REVISIONS		ILLINOIS DEPARTMENT OF TRANSPORTATION BITUMINOUS PAVEMENT SCHEDULE FAI ROUTE 74 (I-74) (WB)
NAME	DATE	
		DRAWN BY CADD CHECKED BY RSC DATE 11/12/04



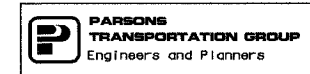
F.A. RTE.	SECTION	COUNTY	TOTAL SHEETS	SHEET NO.
74	(72-77R-3)	PEORIA	1360	69
STA.		TO STA.		
FED. ROAD DIST. NO.		ILLINOIS FED. AID PROJECT		

LOCATIONS	STA.	TO	STA.	LENGTH	PROTECTIVE COAT SCHEDULE										SURFACE, 100 MM SQ M	PROTECTIVE COAT (TOTAL) SQ M			
					PCCP 250 MM JOINTED SQ M	CRCP 250 MM SQ M	PCC SLIDERS 250 MM SQ M	PCC SLIDERS 230 MM SQ M	CONC GUTTER TYPE A SQ M	COMB CONC CURB & GUTTER TYPE B 22.30 SQ M	COMB CONC CURB & GUTTER TYPE B 22.50 SQ M	COMB CONC CURB & GUTTER TYPE B 15.30 SQ M	COMB CONC CURB & GUTTER TYPE B 15.60 SQ M	COMB CONC CURB & GUTTER TYPE M SPECIAL SQ M			CONCRETE MEDIAN TYPE SB-15.30 SQ M	CONCRETE MEDIAN TYPE SB-22.30 SQ M	BRIDGE APPROACH PAVEMENT SPECIAL SQ M
I-74 MAINLINE, WB	141+980.000	TO	141+990.000	50.00		360.00		308.00											668
I-74 MAINLINE, WB	141+990.000	TO	142+300.000	350.00		2,628.00		2,096.00											4,724
I-74 MAINLINE, WB	142+300.000	TO	142+650.000	350.00		4,056.94		1,403.06											5,460
I-74 MAINLINE, WB	142+650.000	TO	142+900.000	250.00													405.60		406
I-74 MAINLINE, WB	142+900.000	TO	143+000.000	100.00		2,661.11		1,946.00											4,607
I-74 MAINLINE, WB	142+900.000	TO	142+900.000	210.00					210.00										210
I-74 MAINLINE, WB	143+000.000	TO	143+300.000	300.00		2,946.66		1,278.62											4,227
I-74 MAINLINE, WB	143+300.000	TO	143+320.000	20.00													528.00		528
I-74 MAINLINE, WB	143+300.000	TO	143+350.000	30.00		2,859.55		2,066.00											4,925
I-74 MAINLINE, WB	143+350.465	TO	143+350.000	63.54															63.54
I-74 MAINLINE, WB	143+350.000	TO	143+370.000	20.00															20.00
I-74 MAINLINE, WB	143+370.000	TO	143+370.000	0.00															0.00
I-74 MAINLINE, WB	143+370.000	TO	143+370.000	0.00															0.00
I-74 MAINLINE, WB	143+370.000	TO	143+370.000	0.00															0.00
I-74 MAINLINE, WB	143+370.000	TO	143+370.000	0.00															0.00
I-74 MAINLINE, WB	143+370.000	TO	143+370.000	0.00															0.00
I-74 MAINLINE, WB	143+370.000	TO	143+370.000	0.00															0.00
I-74 MAINLINE, WB	143+370.000	TO	143+370.000	0.00															0.00
I-74 MAINLINE, WB	143+370.000	TO	143+370.000	0.00															0.00
I-74 MAINLINE, WB	143+370.000	TO	143+370.000	0.00															0.00
I-74 MAINLINE, WB	143+370.000	TO	143+370.000	0.00															0.00
I-74 MAINLINE, WB	143+370.000	TO	143+370.000	0.00															0.00
I-74 MAINLINE, WB	143+370.000	TO	143+370.000	0.00															0.00
I-74 MAINLINE, WB	143+370.000	TO	143+370.000	0.00															0.00
I-74 MAINLINE, WB	143+370.000	TO	143+370.000	0.00															0.00
I-74 MAINLINE, WB	143+370.000	TO	143+370.000	0.00															0.00
I-74 MAINLINE, WB	143+370.000	TO	143+370.000	0.00															0.00
I-74 MAINLINE, WB	143+370.000	TO	143+370.000	0.00															0.00
I-74 MAINLINE, WB	143+370.000	TO	143+370.000	0.00															0.00
I-74 MAINLINE, WB	143+370.000	TO	143+370.000	0.00															0.00
I-74 MAINLINE, WB	143+370.000	TO	143+370.000	0.00															0.00
I-74 MAINLINE, WB	143+370.000	TO	143+370.000	0.00															0.00
I-74 MAINLINE, WB	143+370.000	TO	143+370.000	0.00															0.00
I-74 MAINLINE, WB	143+370.000	TO	143+370.000	0.00															0.00
I-74 MAINLINE, WB	143+370.000	TO	143+370.000	0.00															0.00
I-74 MAINLINE, WB	143+370.000	TO	143+370.000	0.00															0.00
I-74 MAINLINE, WB	143+370.000	TO	143+370.000	0.00															0.00
I-74 MAINLINE, WB	143+370.000	TO	143+370.000	0.00															0.00
I-74 MAINLINE, WB	143+370.000	TO	143+370.000	0.00															0.00
I-74 MAINLINE, WB	143+370.000	TO	143+370.000	0.00															0.00
I-74 MAINLINE, WB	143+370.000	TO	143+370.000	0.00															0.00
I-74 MAINLINE, WB	143+370.000	TO	143+370.000	0.00															0.00
I-74 MAINLINE, WB	143+370.000	TO	143+370.000	0.00															0.00
I-74 MAINLINE, WB	143+370.000	TO	143+370.000	0.00															0.00
I-74 MAINLINE, WB	143+370.000	TO	143+370.000	0.00															0.00
I-74 MAINLINE, WB	143+370.000	TO	143+370.000	0.00															0.00
I-74 MAINLINE, WB	143+370.000	TO	143+370.000	0.00															0.00
I-74 MAINLINE, WB	143+370.000	TO	143+370.000	0.00															0.00
I-74 MAINLINE, WB	143+370.000	TO	143+370.000	0.00															0.00
I-74 MAINLINE, WB	143+370.000	TO	143+370.000	0.00															0.00
I-74 MAINLINE, WB	143+370.000	TO	143+370.000	0.00															0.00
I-74 MAINLINE, WB	143+370.000	TO	143+370.000	0.00															0.00
I-74 MAINLINE, WB	143+370.000	TO	143+370.000	0.00															0.00
I-74 MAINLINE, WB	143+370.000	TO	143+370.000	0.00															0.00
I-74 MAINLINE, WB	143+370.000	TO	143+370.000	0.00															0.00
I-74 MAINLINE, WB	143+370.000	TO	143+370.000	0.00															0.00
I-74 MAINLINE, WB	143+370.000	TO	143+370.000	0.00															0.00
I-74 MAINLINE, WB	143+370.000	TO	143+370.000	0.00															0.00
I-74 MAINLINE, WB	143+370.000	TO	143+370.000	0.00															0.00
I-74 MAINLINE, WB	143+370.000	TO	143+370.000	0.00															0.00
I-74 MAINLINE, WB	143+370.000	TO	143+370.000	0.00															0.00
I-74 MAINLINE, WB	143+370.000	TO	143+370.000	0.00															0.00
I-74 MAINLINE, WB	143+370.000	TO	143+370.000	0.00															0.00
I-74 MAINLINE, WB	143+370.000	TO	143+370.000	0.00															0.00
I-74 MAINLINE, WB	143+370.000	TO	143+370.000	0.00															0.00
I-74 MAINLINE, WB	143+370.000	TO	143+370.000	0.00															0.00
I-74 MAINLINE, WB	143+370.000	TO	143+370.000	0.00															0.00
I-74 MAINLINE, WB	143+370.000	TO	143+370.000	0.00															0.00
I-74 MAINLINE, WB	143+370.000	TO	143+370.000	0.00															0.00
I-74 MAINLINE, WB	143+370.000	TO	143+370.000	0.00															0.00
I-74 MAINLINE, WB	143+370.000	TO	143+370.000	0.00															0.00
I-74 MAINLINE, WB	143+370.000	TO	143+370.000	0.00															0.00
I-74 MAINLINE, WB	143+370.000	TO	143+370.000	0.00															0.00
I-74 MAINLINE, WB	143+370.000	TO	143+370.000	0.00															0.00
I-74 MAINLINE, WB	143+370.000	TO	143+370.000	0.00															0.00
I-74 MAINLINE, WB	143+370.000	TO	143+370.000	0.00															0.00
I-74 MAINLINE, WB	143+370.000	TO	143+370.000	0.00															

F.A. RTE.	SECTION	COUNTY	TOTAL SHEETS	SHEET NO.
74	(72-7)R-3	PEORIA	1360	71
STA.		TO STA.		
FED. ROAD DIST. NO.		ILLINOIS FED. AID PROJECT		

LOCATION	STA	TO	STA	LENGTH M	PIPE UNDERDRAINS				PIPE UNDERDRAINS 100mm (SPECIAL)		CONCRETE HEADW ALL FOR PIPE DRAINS EACH	
					150mm	150mm	100mm	100mm	LEFT	RIGHT		
					LEFT	RIGHT	LEFT	RIGHT	M	M		
I-74 MAINLINE, WB	141+900.000	TO	141+950.000	50.00	0.00	0.00	50.00	50.00	9.00	12.00	0	
I-74 MAINLINE, WB	141+950.000	TO	142+300.000	350.00	0.00	0.00	350.00	250.00	24.00	6.00	2	
I-74 MAINLINE, WB	142+300.000	TO	142+650.000	350.00	0.00	0.00	350.00	0.00	32.00	0.00	2	
I-74 MAINLINE, WB	142+650.000	TO	143+000.000	350.00	0.00	0.00	350.00	0.00	0.00	0.00	0	
I-74 MAINLINE, WB	143+000.000	TO	143+300.000	300.00	0.00	0.00	105.00	0.00	0.00	0.00	0	
I-74 MAINLINE, WB	143+300.000	TO	143+650.000	350.00	0.00	0.00	300.00	0.00	0.00	0.00	0	
I-74 MAINLINE, WB	143+650.000	TO	143+950.000	300.00	130.00	0.00	0.00	0.00	0.00	0.00	0	
I-74 MAINLINE, WB	143+950.000	TO	144+250.000	300.00	80.00	0.00	35.00	0.00	0.00	0.00	1	
I-74 MAINLINE, WB	144+250.000	TO	144+600.000	350.00	0.00	0.00	350.00	0.00	50.00	0.00	2	
I-74 MAINLINE, WB	144+600.000	TO	144+718.000	118.00	0.00	0.00	118.00	0.00	15.00	0.00	1	
RAMPS												
Ramp A-3	10+000.000	TO	10+172.000	201.02	0.00	172.00	0.00	0.00	0.00	0.00	0	
	10+172.000	TO	10+398.505	226.51	0.00	25.00	226.00	201.51	5.00	5.00	2	
	10+398.505	TO	10+432.516	BRIDGE								
	10+432.516	TO	10+528.000	95.48	0.00	0.00	95.48	95.48	30.00	30.00	4	
	10+528.000	TO	10+700.000	172.00	0.00	0.00	172.00	172.00	10.00	30.00	1	
Ramp A-4	10+200.000	TO	10+635.229	435.23	0.00	0.00	0.00	30.00	0.00	10.00	1	
Ramp B-1	10+137.966	TO	10+175.000	37.00	0.00	0.00	37.00	37.00	0.00	0.00	0	
	10+175.000	TO	10+700.000	525.00	265.00	0.00	260.00	525.00	25.00	40.00	4	
	10+700.000	TO	10+716.585	16.59	16.59	0.00	0.00	16.59	0.00	0.00	0	
	10+842.264	TO	10+950.000	107.74	107.74	0.00	0.00	60.00	0.00	20.00	2	
	10+950.000	TO	11+143.955	193.96	115.00	0.00	78.00	143.96	30.00	40.00	5	
Ramp B-2	10+000.000	TO	10+273.000	273.00	0.00	0.00	0.00	273.00	0.00	30.00	2	
	10+273.000	TO	10+580.000	305.00	0.00	0.00	82.00	385.00	2.00	30.00	2	
	10+580.000	TO	10+775.000	195.00	0.00	0.00	155.00	195.00	5.00	15.00	2	
	10+775.000	TO	10+825.000	50.00	0.00	0.00	0.00	50.00	15.00	30.00	3	
Ramp B-3	10+065.000	TO	10+196.000	131.00	0.00	0.00	0.00	76.00	0.00	0.00	0	
	10+196.000	TO	10+372.000	176.00	0.00	0.00	176.00	176.00	8.00	0.00	0	
	10+372.000	TO	10+586.000	214.00	0.00	0.00	30.00	214.00	16.00	8.00	2	
	10+586.000	TO	10+670.000	BRIDGE								
	10+670.000	TO	10+975.000	205.00	220.00	0.00	85.00	305.00	45.00	20.00	2	
	10+975.000	TO	11+195.000	220.00	0.00	0.00	195.00	220.00	30.00	30.00	4	
Ramp B-4	10+000.000	TO	10+192.000	192.00	0.00	0.00	75.00	85.00	35.00	35.00	6	
	10+192.000	TO	10+275.000	83.00	0.00	0.00	0.00	0.00	0.00	0.00	0	
	10+275.000	TO	10+445.000	15.00	0.00	0.00	0.00	15.00	0.00	0.00	0	
	10+445.000	TO	10+850.000	405.00	0.00	0.00	128.00	405.00	0.00	30.00	2	
	10+850.000	TO	10+972.450	122.45	0.00	0.00	122.45	122.45	30.00	15.00	3	
Ramp B-5	10+000.000	TO	10+550.000	550.00	206.00	0.00	170.00	452.00	0.00	0.00	0	
	10+550.000	TO	10+725.000	175.00	165.00	0.00	10.00	175.00	0.00	10.00	0	
	10+725.000	TO	10+927.000	202.00	0.00	0.00	177.00	202.00	0.00	0.00	0	
	10+927.000	TO	11+098.000	171.00	0.00	0.00	0.00	171.00	0.00	0.00	0	
Ramp B-6	10+000.000	TO	10+075.000	75.00	0.00	0.00	20.00	75.00	0.00	0.00	0	
	10+075.000	TO	10+270.000	195.00	0.00	0.00	105.00	195.00	0.00	30.00	0	
	10+270.000	TO	10+350.000	80.00	0.00	0.00	0.00	80.00	0.00	0.00	0	
TOTALS						1,305.3	197.0	4,406.9	5,453.0	416.0	476.0	55

REVISIONS		ILLINOIS DEPARTMENT OF TRANSPORTATION UNDERDRAIN SCHEDULE FAI ROUTE 74 (I-74) (WB)
NAME	DATE	
DATE 11/12/04		DRAWN BY CADD CHECKED BY RSC



F.A. RTE.	SECTION	COUNTY	TOTAL SHEETS	SHEET NO.
74	(72-7)R-3	PEORIA	1360	72
STA.		TO STA.		
FED. ROAD DIST. NO.		ILLINOIS FED. AID PROJECT		

CONCRETE CURB AND GUTTER AND MEDIAN SCHEDULE						COMBINATION CONCRETE CURB AND GUTTER				CONCRETE MEDIAN					
LOCATIONS	STA	TO	STA	OFFSET	DISTANCE	TYPE A, MODIFIED M	TYPE M SPECIAL M	TYPE B-22.30 M	TYPE B-22.60 M	TYPE B-15.30 M	TYPE B-15.60 M	TYPE SB-22.30 SQ M	TYPE SB-15.30 SQ M	SURFACE, 100 MM SQ M	PAVED DITCH TYPE A-15 M
FAI ROUTE 74 (I-74)															
I-74 WB	142+690.000	TO	142+900.000			210.00									
	141+626.096	TO	141+691.096	RT											65.00
	143+400.000	TO	143+538.911	RT		138.92									
Ramp B-3	10+141.183	TO	10+421.672	RT	280.49	280.49									
Ramp B-5	10+691.235	TO	10+725.000	RT	33.76	27.77	33.76								
Ramp B-5	10+725.000	TO	10+813.100		88.10	75.00	88.10								
Ramp B-5	10+850.000	TO	10+929.552		79.55	79.55									
Ramp B-5	10+929.552	TO	11+106.695		177.14	177.14									
Ramp B-6	10+012.234	TO	10+075.000		62.77	62.77									
Ramp B-6	10+075.000	TO	10+170.351		95.35	95.35									
TOTAL FOR I-74 and RAMPS						1,146.99	121.87	0.00	0.00	0.00	0.00	0.00	0.00	0.00	65.00
WAR MEM DRIVE	38+965.070	TO	39+150.000		184.93					177.42			5.73		
	39+095.684	TO	39+150.000	LT	92.00										
	39+093.111	TO	39+150.000	RT											
	39+150.000	TO	39+402.490												
Median	39+150.000	TO	39+404.199		255.00					405.53			95.79	23.08	
Median	39+440.993	TO	39+500.000										108.04		
Island	39+406.785	TO	39+425.529	LT								38.83			
Island	39+432.385	TO	39+439.775	LT								40.42			
Island	39+430.440	TO	39+441.340	RT								46.80			
Median	39+444.699	TO	39+500.000	LT											
	39+500.000	TO	39+850.000		350.00					622.48			75.54	22.98	
	39+392.157	TO	39+500.000	RT											
	39+420.132	TO	39+500.000	RT											
	39+500.000	TO	39+673.256	LT											
	39+500.000	TO	39+850.000	RT											
	39+850.000	TO	39+899.607	RT											
Median	39+850.000	TO	40+175.000		325.00					649.98					
Median	40+175.000	TO	40+266.800		90.00					178.87				5.07	
	40+265.679	TO	40+371.455		105.77										
Median	40+283.669	TO	40+376.670		90.00					174.96				11.53	
	40+175.000	TO	40+480.820		305.82										
SCENIC DRIVE															
Median	10+120.769	TO	10+222.188					194.87							
Median	10+050.000	TO	10+101.950					144.15							
Incl Frontage Rd	10+050.000	TO	10+168.545	LT					134.75						
	10+050.000	TO	10+088.90	RT					38.90						
	10+121.700	TO	10+199.945	RT					79.87						
Island	10+112.665	TO	10+121.370												
MALL ACCESS															
Median	10+109.220	TO	10+107.215												
	9+936.556	TO	10+121.697												
BRANDYWINE DR	39+397.322	TO	39+402.490	LT											
	39+444.699	TO	39+458.226	LT											
GLEN AVENUE	101+038.000	TO	101+181.340		143.34										
STERLING AVE	100+910.908	TO	100+970.889		59.98										
	100+976.295	TO	100+950.537	RT											
Median	100+994.975	TO	100+910.908												
FRONTAGE RD	39+346.675	TO	39+392.157	RT											
TOTAL FOR WAR MEM & CROSS STS						0	0	339	447	2,209	1,348	335	302	452	0
						0	0	339	447	2,209	1,348	335	302	452	0
						1,147.0	121.9	0.0	0.0	0.0	0.0	0.0	0.0	0.0	65.0
						1,147.0	121.9	339.0	447.0	2,209.2	1,348.1	335.0	301.7	452.1	65.0

REVISIONS	
NAME	DATE

ILLINOIS DEPARTMENT OF TRANSPORTATION
CONCRETE CURB AND GUTTER
AND MEDIAN SCHEDULE
FAI ROUTE 74 (I-74) (WB)

DATE 11/12/04

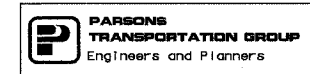
DRAWN BY CADD
CHECKED BY RSC



F.A. RTE.	SECTION	COUNTY	TOTAL SHEETS	SHEET NO.
74	(72-7)R-3	PEORIA	1360	74
STA.		TO STA.		
FED. ROAD DIST. NO.		ILLINOIS	FED. AID PROJECT	

STATION	TO	LOCATION	STATION	STORM SEWER CLASS A				STORM SEWER CLASS B	STORM SEWER CLASS A								STORM SEWERS JACKED IN PLACE		TRENCH BACKFILL CU M	NOTES
				TYPE 1				TYPE 2								300 mm	600 mm			
				300 mm	375 mm	450 mm	150 mm	300 mm	375 mm	450 mm	525 mm	600 mm	750 mm	900 mm	1200 mm					
M	M	M	M	M	M	M	M	M	M	M	M	M	M	M	M					
		FAI ROUTE 74 WESTBOUND		* 55	36.4														64.0	
				* 56	15.5														6.20	
				* 57		10.4													5.40	
				* 58A			10.4												22.00	
				* 58			1.0												137.10	
				* 59					45.9										23.50	
				* 60						22.0									25.00	
				* 62	28.6															
				* 62A	1.0															
				* 63						1.0										
143+650.000	TO		143+950.000	* 64								14.0								
				* 65A																
				* 65																
				* 66	35.0															27.10
				* 67A																
				* 67																
				* 68	14.4															5.50
				* 69																
				* 70	14.4															5.90
				* 71																
143+950.000	TO		144+250.000	* 72	14.6															6.30
				* 74					18.3											5.50
				* 76A									28.5							6.60
				* 76									28.5	35.0	0.0	0.0	0.0			708.9
TOTAL I-74 AND RAMPS (J000-2A)					372.4	10.4	11.4	21.2	289.1	23.0	45.9	51.3	120.9	28.5	35.0	0.0	0.0	0.0		
		WAR MEMORIAL DRIVE																		
38+811.662	TO		39+150.000	* 78	32.0															22.00
				* 79																
39+150.000	TO		39+500.000	* 81A																
				* 81										9.6						
				* 83	27.0															9.70
				* 84																
				* 85	7.5															
				* 86																
				* 87																
				* 88																
				* 89																
				* 90																
				* 90A																
				* 91																
				* 92																
				* 93																
				* 94																
				* 94A																
				* 94B																
				* 94C																
39+500.000	TO		39+850.000	* 95																
				* 96																
				* 97					39.2											
				* 98																
				* 99	4.0															1.90
				* 99A																
				* 100					49.2											
				* 101	4.4															
				* 102																
				* 103										5.1						
				* 104										60.8						
				* 105					5.0											
				* 106										61.5						
				* 106A																
				* 107					2.8											
				* 108					4.2											

REVISIONS		ILLINOIS DEPARTMENT OF TRANSPORTATION STORM SEWER SCHEDULE FAI ROUTE 74 (I-74) (WB)
NAME	DATE	
		DRAWN BY CADD CHECKED BY RSC DATE 11/12/04



F.A. RTE.	SECTION	COUNTY	TOTAL SHEETS	SHEET NO.
74	(72-7)R-3	PEORIA	1360	76
STA.		TO STA.		
FED. ROAD DIST. NO.		ILLINOIS FED. AID PROJECT		

STATION	TO	LOCATION	STATION	STORM SEWER CLASS A				STORM SEWER CLASS B	STORM SEWER CLASS A							STORM SEWERS JACKED IN PLACE		TRENCH BACKFILL	NOTES
				TYPE 1				150 mm	TYPE 2							300 mm	600 mm		
				300 mm	375 mm	450 mm	150 mm		300 mm	375 mm	450 mm	525 mm	600 mm	750 mm	900 mm				
M	M	M	M	M	M	M	M	M	M	M	M	M	M	M	M	CU M			
		FAI ROUTE 74 WESTBOUND		* 162															
				* 163					26.4								14.8		21.00
				* 164															30.50
				* 165							29.5								64.70
				* 166															14.40
				* 167	74.0														38.50
				* 168	36.5														42.70
				* 169															48.50
				* 170					15.0										
				* 170A					1.0										
				* 171	38.0														
				* 172					36.7										
				* 173	55.0														
				* 174															
				* 175									31.0						
				* 176					2.0										
				* 177					8.5										
				* 178															
				* 179									26.5						39.70
				* 180										53.1					
				* 182										155.0					
				* 185						17.0									
				* 186										86.0					
TOTAL FOR WAR MEMORIAL DR (1000-2A)					334.0	41.2	0.0	4.5	482.3	85.7	5.9	56.0	631.7	86.0	9.6	264.7	14.8	16.7	357.7
TOTAL					706.4	51.6	11.4	25.7	771.4	108.7	51.8	107.3	752.6	114.5	44.6	264.7	14.8	16.7	1,066.6

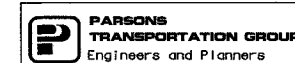
REVISIONS		ILLINOIS DEPARTMENT OF TRANSPORTATION
NAME	DATE	
		STORM SEWER SCHEDULE FAI ROUTE 74 (I-74) (WB)



DATE 11/12/04
DRAWN BY CADD
CHECKED BY RSC

F.A. RTE.	SECTION	COUNTY	TOTAL SHEETS	SHEET NO.
74	(72-71R-3)	PEORIA	1360	77
STA.		TO STA.		
FED. ROAD DIST. NO.		ILLINOIS FED. AID PROJECT		

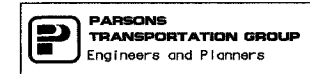
LOCATION			STATION		OFFSET		INLET				MANHOLE					DRAINAGE STRUCTURE		INLET, STANDARD 61001	MANHOLES TO BE RECONSTRUCTED	NOTES	
							TYPE A		TYPE B		TYPE A					TYPE 1	TYPE 2				TYPE E
							0.6 M DIA	0.6 M DIA	0.9 M DIA	0.9 M DIA	1.2 M DIA	1.2 M DIA	1.2 M DIA	1.5 M DIA	1.8 M DIA	1.8 M DIA	TY 20 FRAME & GRATE				TY 22 FRAME & GRATE
TYPE 9 FRAME	TYPE 1 FRAME, OPEN LID	TYPE 9 FRAME	TYPE 1 FRAME, OPEN LID	TYPE 1 FRAME OPEN LID	TYPE 1 FRAME CLOSED LID	TYPE 9 FRAME	TYPE 1 FRAME OPEN LID	TY 1 FRAME OPEN LID	TY 1 FRAME CLOSED LID	EA	EA	EA	EA	EA							
141+900.000	TO	141+950.000	WB	M																	
			* 2	141+937.735	14.68m LT																
			*2A	141+938.430	9.62m RT																
*REF A	TO	142+650.000	* 3	142+439.647	3.50m LT																
			* 4	142+610.000	11.00m LT																
142+650.000	TO	143+000.000	* 5	142+745.000	10.64m LT																
			* 6	142+810.000	10.64m LT																
			* 7	142+865.000	10.64m LT																
143+000.000	TO	143+500.000	* 10	143+173.532	7.86m LT																
			* 11	143+173.761	3.50 M RT																
			* 12	10+610.966 (A3)	16.46m RT																
			* 12A	10+628.603 (A3)	6.68m LT																
			* 12B	143+205.278	16.47m LT																
			* 13	143+243.509	17.537m RT																
			* 14	143+247.206	8.605m RT																
			* 15	143+247.233	3.500m LT																
143+500.000	TO	143+650.000	* 16	10+904.084 (B5)	2.82m RT																
			* 17	143+326.144	10.545m LT																
			* 18	143+394.561	14.352m LT																
			* 19	10+855.880 (B5)	2.850m RT																
			* 20	10+793.000 (B5)	7.153m LT																
			* 21	10+880.000 (B5)	2.850m RT																
			* 22	10+806.000 (B5)	2.85m RT																
			* 24	10+384.570 (A3)	1.850m RT																
			* 26	10+369.652 (B3)	2.85m RT																
			* 28	10+317.572 (B3)	2.85m LT																
			* 30	10+381.591 (A3)	6.089m LT																
			* 31	143+464.978	10.690m LT																
			* 33	10+195.742 (B4)	7.040m LT																
			* 36	10+270.733 (B3)	6.910m LT																
			* 40	10+252.828 (B3)	2.840m RT																
			* 41	10+258.692 (B3)	2.84m RT																
			* 42	10+264.370 (B3)	2.84m RT																
			* 43	10+277.084 (B3)	10.48m LT																
			* 44	10+537.140 (B3)	10.65m LT																
			* 45	10+191.415 (B3)	2.85 M RT																
			* 46	10+190.964 (B3)	8.86m LT																
			* 46A	10+190.964 (B3)	8.86m LT																
			* 47	143+610.884	11.53m LT																
			* 48	143+614.367	3.50m RT																
			* 50	143+595.774	23.18m RT																
			* 51	143+630.626	23.05m RT																
			* 53	10+134.926 (B4)	7.03m LT																
			* 55	143+647.000	9.64m LT																
RAMP B-1	TO	10+700.000	* 68	10+645.000 (B1)	7.03m LT																
10+175.000			* 70	10+570.000 (B1)	7.03m LT																
			* 72	10+495.000 (B1)	7.03m LT																
			* 74	10+136.050 (B4)	6.70m LT																
143+650.000	TO	143+950.000	* 56	143+698.670	8.22m LT																
			* 57	143+683.197	8.63m LT																
			* 58	10+115.707 (B3)	9.94m LT																
			* 58A	10+115.754 (B3)	2.27m RT																
			* 60	10+068.910 (B3)	1.23m RT																
			* 62	10+171.595 (B2)	14.75m LT																
			* 62A	143+840.222	10.91m LT																
			* 63A	143+840.222	10.91m LT																
			* 64	143+839.279	35.31 M LT																
			* 66	143+914.908	11.18m LT																
143+950.000	TO	144+250.000	* 78	143+990.000	10.96m LT																
			* 80	144+067.222	9.44m LT																
			* 81	144+067.413	29.38m LT																
			* 83	144+015.262	8.16m LT																
			* 85	144+218.605	23.02m LT																
144+250.000	TO	144+600.000																			
144+600.000	TO	144+718.000																			
TOTAL I-74 AND RAMPS (1000-2A)							2	0	6	5	23	3	4	3	2	1	11	1	3		



REVISIONS		ILLINOIS DEPARTMENT OF TRANSPORTATION DRAINAGE STRUCTURE FAI ROUTE 74 (I-74) (WB)
NAME	DATE	
		DRAWN BY CADD CHECKED BY RSC DATE 11/12/04

F.A. RTE.	SECTION	COUNTY	TOTAL SHEETS	SHEET NO.
74	(72-7)R-3	PEORIA	1360	78
STA.		TO STA.		
FED. ROAD DIST. NO.		ILLINOIS FED. AID PROJECT		

LOCATION		STATION		INLET				MANHOLE					DRAINAGE STRUCTURE		INLET, STANDARD 610001	MANHOLES TO BE RECONSTRUCTED	NOTES	
				TYPE A		TYPE B		TYPE A					TYPE 1	TYPE 2				
				0.6 M DIA	0.6 M DIA	0.9 M DIA	0.9 M DIA	1.2 M DIA	1.2 M DIA	1.2 M DIA	1.5 M DIA	1.8 M DIA	1.8 M DIA	TY 20 FRAME & GRATE				TY 22 FRAME & GRATE
STATION	TO	STATION	FROM	TYPE 9 FRAME	TYPE 1 FRAME, OPEN LID	TYPE 9 FRAME	TYPE 1 FRAME, OPEN LID	TYPE 1 FRAME OPEN LID	TYPE 1 FRAME CLOSED LID	TYPE 9 FRAME	TYPE 1 FRAME OPEN LID	TY 1 FRAME OPEN LID	TY 1 FRAME CLOSED LID	EA	EA	EA		
FAI ROUTE 74 WESTBOUND		WB	M	EA	EA	EA	EA	EA	EA	EA	EA	EA	EA	EA	EA	EA		
38+195.067 TO 39+150.000																		
		* 90	38+048.671															
		* 91	38+092.774															
		* 98	39+131.073															
		* 99	39+075.583															
		* 100	39+079.985															
39+150.000 TO 39+500.000																		
		* 101	39+172.578															
		* 102	39+172.564															
		* 103	39+172.600															
		* 104	39+172.632															
		* 105	39+233.266															
		* 106	39+233.666															
		* 107	39+289.922															
		* 108	39+293.489															
		* 109	39+293.800															
		* 110	39+294.364															
		* 111	39+294.364															
		* 112	39+383.296															
		* 113	39+386.305															
		* 114	39+382.798															
		* 115	39+382.798															
		* 116	39+391.609															
		* 117	39+357.860															
		* 118	39+366.629															
		* 119	39+373.563															
		* 120	39+370.680															
		* 121	39+396.078															
		* 122	39+409.034															
		* 123	39+408.292															
		* 124	39+441.230															
39+500.000 TO 39+850.000																		
		* 125	39+525.718															
		* 126	39+525.732															
		* 127	39+539.612															
		* 128	39+536.019															
		* 129	39+536.398															
		* 130	39+591.805															
		* 131	39+591.805															
		* 133	39+619.978															
		* 134	39+619.863															
		* 135	39+666.652															
		* 137	39+666.623															
		* 138	39+746.444															
		* 139	39+741.444															
		* 140	39+816.292															
		* 141	39+816.252															
		* 142	39+741.823															
39+850.000 TO 40+175.000																		
		* 143	39+882.500															
		* 152	39+956.468															
		* 153	10+822.109 (B3)															
		* 156	10+756.660 (B3)															
		* 158	40+075.000															
40+175.000 TO 40+500.000																		
		* 159	10+095.176 (B6)															
		* 169	10+099.670 (B6)															
		* 161	10+104.170 (B6)															
		* 163	40+224.999															
		* 166	10+028.500 (B4)															
		* 167	10+615.569 (B5)															
		* 168	10+614.833 (B6)															
		* 170	10+114.791 (B4)															
		* 170A	10+114.789 (B4)															
		* 171	10+915.000 (B1)															
		* 172	10+643.292 (B5)															
		* 173	10+725.124 (B5)															
		* 174	10+670.294 (B5)															
		* 175	11+016.065 (B1)															
		* 176	11+020.638 (B1)															
		* 177	11+019.625 (B1)															
		* 178	11+053.266 (B1)															
		* 180	11+091.220 (B1)															
		* 182	40+342.442															
		* 186	40+197.500															
TOTAL FOR WAR MEMORIAL DR (1000-2A)																		
TOTALS																		

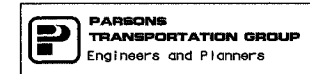


REVISIONS		ILLINOIS DEPARTMENT OF TRANSPORTATION DRAINAGE STRUCTURE FAI ROUTE 74 (I-74) (WB)
NAME	DATE	
		DRAWN BY CADD CHECKED BY RSC DATE 11/12/04

F.A. RTE.	SECTION	COUNTY	TOTAL SHEETS	SHEET NO.
74	(72-7)R-3	PEORIA	1300	79
STA.		TO STA.		
FED. ROAD DIST. NO.		ILLINOIS FED. AID PROJECT		

STATION	OFFSET	P.R.C. FLARED END SECTION							GRATING FOR CONCRETE FLARED END SECTION				NOTES	
		300 MM	375 MM	525 MM	600 MM	750 MM	900 MM	1200 MM	600 MM	750 MM	900 MM	1200 MM		
		EA	EA	EA	EA	EA	EA	EA	EA	EA	EA	EA		
141+626.096	9.903 M RT				1					1				
141+948.170	15.013 M LT							1				1		
143+115.000	21.50 M LT		1											
10+775.000(B5)	13.00 M RT			1										
10+775.869 (B5)	14.97 M LT	1												
10+369.685(B3)	11.38 M LT	1												
10+946.529 (B1)	19.50 M RT		1											
10+270.733 (B3)	6.91 M LT													
10+700.000 (B2)	14.67 M RT	1												
143+592.422	27.042 M RT				1					1				
142+642.220	27.451 M RT					1				1				
10+434.808 (B4)	7.880 M RT	1												
10+500.000(B2)	16.20 M LT			1										
143+935.000	45.12 M LT	1												
10+645.000 (B1)	7.67 M RT	1												
10+570.000 (B1)	7.67 M RT	1												
10+495.000 (B1)	7.67 M RT	1												
10+420.000 (B1)	7.77 M RT	1												
10+250.000(B1)	8.50 M RT						1				1			
143+989.000	43.24 M LT	1												
144+066.564	38.21 M LT							1				1		
144+115.262	32.49 M LT	1												
144+218.605	29.847M LT	1												
		12	2	2	3	1	2	0	3	1	2	0		
10+250.000(B1)	17.88 M LT						1			1				
39+601.589(WM)	18.56 M RT								1				1	
39+647.595(WM)	20.49 M RT								1				1	
10+041.158 (B5)	11.57 M RT				1					1				
10+283.329(B5)	13.68 M RT	1												
10+775.212 (B3)	14.82 M RT		1											
10+348.717 (B5)	13.74 M RT	1												
10+100.220(B6)	13.13 M LT		1											
40+224.876(WM)	26.44 M RT	1												
10+116.920 (B6)	38.13 M LT			1										
10+030.324 (B4)	12.10 M LT													
10+132.883 (B6)	16.73 M LT	1												
11+087.119(B1)	17.27 M LT													
		4	2	1	1	1	0	2	1	1	0	2		
		16	4	3	4	2	2	2	4	2	2	2		

REVISIONS		ILLINOIS DEPARTMENT OF TRANSPORTATION FLARED END SECTION FAI ROUTE 74 (I-74) (WB)
NAME	DATE	

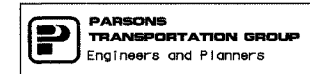


DRAWN BY CADD
CHECKED BY RSC
DATE 11/12/04

F.A. RTE.	SECTION	COUNTY	TOTAL SHEETS	SHEET NO.
74	(72-7)R-3	PEORIA	1360	30
STA.		TO STA.		
FED. ROAD DIST. NO.		ILLINOIS FED. AID PROJECT		

LOCATION			PIPE DIAMETER d	LENGTH L	INSTALL TYPE	RIP RAP									FILTER FABRIC FOR RIP RAP	INLET AND PIPE PROTECTION EACH		
						CLASS A2			CLASS A6			CLASS B3						
STATION	TO	STATION	mm	M		THICKNESS mm	QUANTITY		THICKNESS mm	QUANTITY		THICKNESS mm	QUANTITY		SQ M			
						BEDDING												
FAI ROUTE 74 WESTBOUND																		
141+600.000	TO	141+950.000	#1 900	5.0	A							300	7.3	3.9	7.3	5		
			#28 600	4.0	A							300	6.7	3.6	6.7			
141+950.000	TO	142+300.000														5		
142+300.000	TO	142+650.000														5		
142+650.000	TO	143+000.000														13		
143+000.000	TO	143+300.000	#8 375	4.0	A							300	1.9	1.0	1.9	15		
143+300.000	TO	143+650.000	#23 525	4.0	A							300	2.4	1.3	2.4	43		
			#25 300	4.0	A							300	1.9	1.0	1.9			
			#27 300	4.0	A							300	1.9	1.0	1.9			
			#29 300	4.0	A							300	1.9	1.0	1.9			
			#34 375	4.0	A							300	1.9	1.0	1.9			
			#37 300	4.0	A							300	1.9	1.0	1.9			
			#49 600	4.0	A							300	6.7	3.9	6.7			
			#52 600	4.0	A							300	6.7	3.9	6.7			
			#54 300	3.0	B							300	8.6	4.6	8.6			
10+700.000 (B-1)	TO	10+75.000 (B-1)	#69 300	3.0	B							300	8.6	4.6	8.6	14		
			#71 300	3.0	B							300	8.6	4.6	8.6			
			#73 300	3.0	B							300	8.6	4.6	8.6			
			#75 300	4.0	A							300	1.9	1.0	1.9			
			#76 750	5.0	A							300	6.0	3.2	6.0			
			#77 750	5.0	A							300	6.0	3.2	6.0			
143+650.000	TO	143+950.000	#61 525	4.5	A							300	3.6	1.9	3.6	20		
			#65 600	4.5	A							300	3.6	1.9	3.6			
			#67 300	4.0	A							300	1.9	1.0	1.9			
143+950.000	TO	144+250.000	#79 300	4.0	A							300	1.9	1.0	1.9	14		
			#82 900	5.0	A							300	7.3	3.9	7.3			
			#84 300	4.0	A							300	1.9	1.0	1.9			
			#85 300	4.0	A							300	1.9	1.0	1.9			
144+250.000	TO	144+600.000														4		
144+600.000	TO	144+718.000														3		
WAR MEMORIAL DRIVE																		
38+965.067	TO	39+150.000														12		
39+150.000	TO	39+500.000														27		
39+500.000	TO	39+850.000	#132 1200	8.0	A							450	49.4	39.6	49.4	20		
			OVERFLOW	-	A							300	74.9	40.0	74.9			
			#135 1200	8.0	4.0							300	47.5	25.3	47.5			
			EX. BOX	-	A	250.0	49.4	26.4	660	59.3	69.7							
			#142A 375	4.0	A							300	6.7	3.6	6.7			
39+850.000	TO	40+75.000	#151 600	4.5	A							300	4.3	2.3	4.3	11		
			#154 300	3.0	A							300	1.9	1.0	1.9			
			#155 375	4.0	A							300	1.9	1.0	1.9			
			#157 300	3.0	A							300	1.9	1.0	1.9			
40+75.000	TO	40+500.000	#162 375	4.0	A							300	1.9	1.0	1.9	26		
			#164 300	4.0	A							300	1.9	1.0	1.9			
			#165 525	4.5	A							300	3.6	1.9	3.6			
			#169 300	4.0	A							300	1.9	1.0	1.9			
40+500.000	TO	40+500.000														0		
TOTALS							49.4	26.4		59.3	69.7		309.4	187.8	309.4	237		

REVISIONS		ILLINOIS DEPARTMENT OF TRANSPORTATION RIPRAP AND INLET PROTECTION FAI ROUTE 74 (1-74) (WB)
NAME	DATE	



DRAWN BY CADD
CHECKED BY RSC
DATE 11/12/04

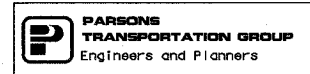
F.A. RTE.	SECTION	COUNTY	TOTAL SHEETS	SHEET NO.
74	(72-71R-3)	PEORIA	1360	82
STA.		TO STA.		
FED. ROAD DIST. NO.		ILLINOIS FED. AID PROJECT		

GUARDRAIL & FENCE SCHEDULE

LOCATIONS	STA	OFFSET	TO	STA	OFFSET	STEEL PLATE BEAM GUARDRAIL, TYPE A	TRAFFIC BARRIER TERMINAL, TYPE 1, SPECIAL (TANGENT)	TRAFFIC BARRIER TERMINAL, TYPE 1, SPECIAL (FLARED)	TRAFFIC BARRIER TERMINAL, TYPE 2	TRAFFIC BARRIER TERMINAL, TYPE 3B	TRAFFIC BARRIER TERMINAL, TYPE 6	CHAIN LINK FENCE 1.2 METER	CHAIN LINK GATES, 1.2 M X 3.3 M SINGLE
						M	EACH	EACH	EACH	EACH	EACH	M	EACH
FAI ROUTE 74 (I-74)													
Ramp A-3	10+378.155	2.40 M RT	TO	10+385.000	2.30 M RT	10.75							
				10+341.421	6.69 M LT		1						
				10+378.000	2.30 M RT			1					
				10+362.421	LT								
				10+385.000	RT						1		
	10+362.421		TO	10+341.421	LT	10.02					1		
				10+585.000(A3)	22.51 M RT							23.43	
				10+590.000(A3)	20.03 M RT								1
				10+610.000(A3)	20.74 M RT							59.19	
				10+590.000(A3)	9.20 M RT								1
Ramp B-2	10+726.331		TO	10+780.262	2.40 M RT	53.93							
				10+068.728	2.40 M RT				1				
Ramp B-3	10+518.382	2.40M RT	TO	10+550.000	2.40M RT	31.62							
				10+518.382	2.40M RT				1				
				10+550.000	2.40M RT								
	10+669.630(B3)	2.40M RT	TO	10+695.850(B3)		26.22							
				10+669.630(B3)									
				10+695.850(B3)									
Ramp B-5	10+390.710(B5)	2.654 M RT	TO	10+419.620(B5)	2.654 M RT	28.91							
				10+390.710(B5)	LT								
				10+419.620(B5)	RT								
Ramp B-5	10+600.459	2.4 M RT		10+625.000	2.4 M RT		1						
	10+719.790(B5)	5.89 M RT	TO	10+785.370(B5)	7.28 M RT								
	10+202.860	2.4 M RT		10+227.401	2.4 M RT		1						
Ramp B-6	144+150.000	13.80 M RT	TO	144+250.000	13.80 M RT	100.00							
MAINLINE WB				144+029.947	10.5 M LT						1.00		37.89
	144+250.000	13.80 M RT	TO	144+325.000	13.80 M RT	75.00							
	144+325.000	13.80 M RT	TO	144+718.000	13.80 M RT	393.00							
TOTAL I-74						729.45	4	3	1	1	7	121	2
WAR MEMORIAL DR				39+910	45.00 M RT	75.00	1						
				TOTAL		804.5	5	3	1	1	7	121	2
				Total for I000-2A		75.00	1						
				Total for J000-2A		729.5	4	3	1	1	7	121	2

REVISIONS	
NAME	DATE

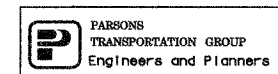
ILLINOIS DEPARTMENT OF TRANSPORTATION
 GUARDRAIL & FENCE SCHEDULE
 FAI ROUTE 74 (I-74) (WB)
 DATE 11/12/04
 DRAWN BY CADD
 CHECKED BY RSC



F.A. RTE.	SECTION	COUNTY	TOTAL SHEETS	SHEET NO.
74	(72-71R-3)	PEORIA	1360	83
STA.		TO STA.		
FED. ROAD DIST. NO.		ILLINOIS FED. AID PROJECT		

TEMPORARY PAVEMENT SCHEDULE										
LOCATION				LENGTH	WIDTH	AREA (CADD CALCS)	TEMPORARY PAVEMENT	TEMPORARY PAVEMENT REMOVAL		
STA	TO	STA		M	M	SQ M	SQ M	SQ M		
STAGE 3-1										
RAMP A-4	142+350.000		142+660.000			65.50	65.50			
RAMP A-4 STAGING						50.00	50.00			
SCENIC DRIVE	10+050.000		10+245.000			141.36	141.36			
TCIS RAMP B1	10+250.000		10+450.000			1,079.49		1,079.49		
RAMP B-1	10+137.966		10+219.480			394.64		394.64		
RAMP B-4	10+925.000		10+972.450			240.07		240.07		
SUBTOTAL STAGE 3-1							256.86		1,714.20	
STAGE 3-2										
RAMP A-4	142+350.000		142+660.000			1,654.90		1,654.90		
RAMP A-4 STAGING						50.00		50.00		
SUBTOTAL STAGE 3-2							0.00		1,704.90	
STAGE 3-3										
SCENIC DRIVE	10+050.000		10+245.000			141.36		141.36		
SUBTOTAL STAGE 3-3							0.00		141.36	
STAGE 3-4										
RAMP A-4 CROSSOVER	142+335.000		142+425.000			715.12		715.12		
RAMP A-3	142+961.000		143+155.000			1,031.63		1,031.63		
RAMP A-3 CROSSOVER	143+181.000		143+323.000			117.59		117.59		
SHOULDER, TCIS BTW B-1/B-4	143+800.000		144+175.000			1,170.66		1,170.66		
SUBTOTAL STAGE 3-4							0.00		3,035.00	
TOTALS							256.86		6,595.46	

REVISIONS		ILLINOIS DEPARTMENT OF TRANSPORTATION TEMPORARY PAVEMENT FAI ROUTE 74 (I-74) (WB) SCHEDULES
NAME	DATE	
		DRAWN BY CADD CHECKED BY RSC DATE 11/12/04



11/12/04 11:23 AM

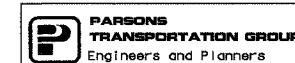
F.A. RTE.	SECTION	COUNTY	TOTAL SHEETS	SHEET NO.
74	(72-7)R-3	PEORIA	1360	84
STA.		TO STA.		
FED. ROAD DIST. NO.		ILLINOIS FED. AID PROJECT		

TEMPORARY PAVEMENT MARKING SCHEDULE											
					TEMPORARY PAVEMENT MARKING TAPE, TYPE III					WET TEMPORARY PAVEMENT MARKING TAPE TYPE III	
					100 MM	100 MM	100 MM	100 MM	200 MM	100 MM	100 MM
FAI ROUTE 74					WHITE	YELLOW	WHITE	YELLOW	WHITE	WHITE	YELLOW
LOCATIONS	STATION	TO	STATION	LENGTH	SOLID	SOLID	SKIP-DASH	SKIP-DASH	SOLID	SOLID	SOLID
STAGE 3-1					M	M	M	M	M	M	M

I-74	141+250.000	TO	141+600.000								
	141+111		141+487	376.0	376.0						
	141+450		141+600	150.0	150.0	150.0	37.5				150.0
	141+487		141+600	113.0						113.0	
I-74	141+600.000	TO	141+950.000								
	141+600		141+650	50.0							50.0
	141+600		141+900	300.0					300.0		
	141+600		141+950	350.0	350.0	350.0	87.5				
	141+650		141+950	300.0	300.0						
	141+900		141+950	50.0	50.0						
I-74	141+950.000	TO	142+300.000								
	141+950		142+200	250.0			62.5				
	141+950		142+300	350.0	700.0	700.0					
	142+200		142+300	100.0	100.0						
I-74	142+300.000	TO	142+650.000								
	142+300		142+326	26.0			6.5				
	142+300		142+371	71.0	71.0						
	142+300		142+379	79.0	79.0						
	142+300		142+650	350.0		700.0					
	142+326		142+650	324.0	324.0						
	142+379		142+436	57.0					57.0		
	142+416		142+526	110.0	110.0						
	142+417		142+442	25.0	25.0						
	142+417		142+650	233.0	233.0						
	142+436		142+650	214.0	214.0						
	142+442		142+489	47.0					47.0		
	142+489		142+640	151.0	151.0						
	142+640		142+650	10.0		10.0					
I-74	142+650.000	TO	143+000.000								
	142+650		143+000	350.0	700.0	700.0					
	142+669		143+000	331.5			82.9				
RAMP A-4	10+029		10+190	161.0	161.0	161.0					
RAMP A-3	10+840		10+977	137.0	137.0	137.0					
I-74	143+000.000	TO	143+300.000								
	143+000		143+028	28.0	28.0						
	143+000		143+079	79.0		79.0					
	143+000		143+206	206.0	206.0						
	143+000		143+271	271.0	271.0						
	143+000		143+300	300.0		600.0	75.0				
	143+028		143+111	83.0					83.0		
	143+028		143+214	186.0	186.0						
	143+079		143+183	104.0	104.0						
	143+183		143+198	15.0					15.0		
	143+198		143+206	8.0	8.0						
	143+214		143+234	20.0					20.0		
	143+217		143+300	83.0			20.8				
	143+234		143+300	66.0	66.0						
RAMP A-2	10+287		10+411	124.0	124.0						
RAMP A-2	10+287		10+440	153.0	153.0						

STAGE 3-1 SUBTOTAL I-74	5,077.0	3,887.0	372.6	0.0	0.0	635.0	200.0
-------------------------	---------	---------	-------	-----	-----	-------	-------

REVISIONS		ILLINOIS DEPARTMENT OF TRANSPORTATION TEMPORARY PAVEMENT MARKING FAI ROUTE 74 (I-74) (WB) SCHEDULES
NAME	DATE	



PARSONS
TRANSPORTATION GROUP
Engineers and Planners

DRAWN BY CADD
CHECKED BY RSC
DATE 11/12/04

F.A. RTE.	SECTION	COUNTY	TOTAL SHEETS	SHEET NO.
74	(72-7)R-3	PEORIA	1360	85
STA.		TO STA.		
FED. ROAD DIST. NO.		ILLINOIS FED. AID PROJECT		

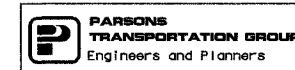
TEMPORARY PAVEMENT MARKING SCHEDULE											
FAI ROUTE 74					TEMPORARY PAVEMENT MARKING TAPE, TYPE III					WET TEMPORARY PAVEMENT MARKING TAPE TYPE III	
					100 MM WHITE SOLID	100 MM YELLOW SOLID	100 MM WHITE SKIP-DASH	100 MM YELLOW SKIP-DASH	200 MM WHITE SOLID	100 MM WHITE SOLID	100 MM YELLOW SOLID
LOCATIONS	STATION	TO	STATION	LENGTH	M	M	M	M	M	M	

STAGE 3-1 (CONTINUE)

I-74 MAINLINE,	143+300.000	TO	143+650.000							
	143+300		143+650	350.0	700.0	700.0	175.0			
I-74 MAINLINE,	143+650.000	TO	143+950.000							
	143+650		143+805	155.0	155.0					
	143+650		143+950	300.0	300.0	600.0	150.0			
	143+805		143+950	145.0	145.0					
I-74 MAINLINE,	143+950.000	TO	144+250.000							
	143+950		144+250	300.0	300.0	600.0	150.0			
	144+178		144+250	72.0	72.0					
	143+950		144+178	228.0	228.0					
I-74 MAINLINE,	144+250.000	TO	144+325.000							
	144+250		144+325	75.0	150.0	150.0	37.5			
I-74 MAINLINE,	144+325.000	TO	144+600.000							
	144+325		144+600	275.0	550.0	550.0	137.5			
I-74 MAINLINE,	144+600.000	TO	144+718.000							
	144+600		144+718	118.0	236.0	236.0	59.0			
WAR MEMORIAL	38+965.070	TO	39+150.000							
	38+965		39+010	45.0		90.0				
	38+965		39+025	60.0	120.0		15.0			
	38+965		39+030	65.0	195.0		16.3			
	39+047		39+150	103.0	103.0					
	39+048		39+096	48.0	48.0					
	39+049		39+150	101.0			25.3			
	39+050		39+150	100.0	100.0					
	39+054		39+150	96.0	96.0		24.0			
	39+060		39+150	90.0		180.0				
STERLING AVE	100+911		101+000	89.0	267.0	178.0	44.5			
GLEN AVE	101+037		101+107	70.0	210.0		17.5			
GLEN AVE	101+050		101+107	57.0		114.0	14.3			
WAR MEMORIAL	39+150.000	TO	39+500.000							
	39+150		39+225	75.0	150.0					
	39+150		39+405	255.0	255.0	510.0	127.5			
	39+225		39+405	180.0			45.0			
	39+269		39+405	136.0	136.0					
	39+437		39+500	63.0	252.0	126.0	31.5			
WAR MEMORIAL	39+500.000	TO	39+850.000							
	39+500		39+555	55.0	55.0					
	39+500		39+610	110.0	110.0					
	39+500		39+850	350.0	700.0	700.0	175.0			
WAR MEMORIAL	39+850.000	TO	40+175.000							
	39+850		40+175	325.0	650.0	650.0	162.5			
WAR MEMORIAL	40+175.000	TO	40+481.000							
	40+175		40+481	306.0	612.0	612.0	153.0			

STAGE 3-1 SUBTOTAL I-74 (THIS SHEET)	2,836.0	2,836.0	709.0	0.0	0.0	0.0	0.0
SUBTOTAL I-74(STAGE)	7,913.0	6,723.0	1,081.6	0.0	0.0	635.0	200.0
SUBTOTAL WAR MEMORIAL DR	3,447.0	2,548.0	698.3	0.0	0.0	0.0	0.0
TOTAL STAGE 3-1	11,360.0	9,271.0	1,779.9	0.0	0.0	635.0	200.0
ROUNDED TOTAL STAGE 3-1	11,360	9,271	1,780	0	0	635	200

REVISIONS		ILLINOIS DEPARTMENT OF TRANSPORTATION TEMPORARY PAVEMENT MARKING FAI ROUTE 74 (I-74) (WB) SCHEDULES
NAME	DATE	



DRAWN BY CADD
CHECKED BY RSC
DATE 11/12/04

F.A. RTE.	SECTION	COUNTY	TOTAL SHEETS	SHEET NO.
74	(72-7)R-3	PEORIA	1360	86
STA.		TO STA.		
FED. ROAD DIST. NO.		ILLINOIS FED. AID PROJECT		

TEMPORARY PAVEMENT MARKING SCHEDULE										
FAI ROUTE 74					TEMPORARY PAVEMENT MARKING TAPE, TYPE III					WET TEMPORARY PAVEMENT MARKING TAPE TYPE III
					100 MM WHITE SOLID	100 MM YELLOW SOLID	100 MM WHITE SKIP-DASH	100 MM YELLOW SKIP-DASH	200 MM WHITE SOLID	100 MM WHITE SOLID
LOCATIONS	STATION	TO	STATION	LENGTH	M	M	M	M	M	M
				STAGE 3-2						
I-74 MAINLINE,	141+250.000	TO	141+600.000							
	141+413		141+450	37.0	37.0					
	141+413		141+600	187.0	187.0					
	141+450		141+600	150.0		150.0				
I-74 MAINLINE,	141+600.000	TO	141+950.000							
	141+600		141+950	350.0	350.0	350.0				
I-74 MAINLINE,	141+950.000	TO	142+300.000							
	141+950		142+300	350.0	350.0	350.0				
	142+200		142+300	100.0	100.0	100.0				
I-74 MAINLINE,	142+300.000	TO	142+650.000							
	142+300		142+640	340.0	340.0	340.0				
	142+300		142+640	340.0	340.0	340.0				
	142+300		142+650	350.0	350.0	350.0				
I-74 MAINLINE,	142+650.000	TO	143+000.000							
	142+650		142+659	9.0	9.0	9.0				
I-74 MAINLINE,	143+000.000	TO	143+300.000							
I-74 MAINLINE,	143+300.000	TO	143+650.000							
I-74 MAINLINE,	143+650.000	TO	143+950.000							
I-74 MAINLINE,	143+950.000	TO	144+250.000							
I-74 MAINLINE,	144+250.000	TO	144+325.000							
I-74 MAINLINE,	144+325.000	TO	144+600.000							
I-74 MAINLINE,	144+600.000	TO	144+718.000							
SUBTOTAL				I-74	2,063.0	1,989.0	0.0	0.0	0.0	0.0



REVISIONS	
NAME	DATE

ILLINOIS DEPARTMENT OF TRANSPORTATION
 TEMPORARY PAVEMENT MARKING
 FAI ROUTE 74 (I-74) (WB)
 SCHEDULES
 DRAWN BY CADD
 CHECKED BY RSC
 DATE 11/12/04

F.A. RTE.	SECTION	COUNTY	TOTAL SHEETS	SHEET NO.
74	(72-7)R-3	PEORIA	1360	87
STA.		TO STA.		
FED. ROAD DIST. NO.		ILLINOIS FED. AID PROJECT		

TEMPORARY PAVEMENT MARKING SCHEDULE					TEMPORARY PAVEMENT MARKING TAPE, TYPE III					WET TEMPORARY PAVEMENT MARKING TAPE TYPE III	
FAI ROUTE 74					100 MM	100 MM	100 MM	100 MM	200 MM	100 MM	100 MM
					WHITE	YELLOW	WHITE	YELLOW	WHITE	WHITE	YELLOW
					SOLID	SOLID	SKIP-DASH	SKIP-DASH	SOLID	SOLID	SOLID
LOCATIONS	STATION	TO	STATION	LENGTH	M	M	M	M	M	M	M

STAGE 3-2 (CONTINUED)											
WAR MEMORIAL	38+965.000	TO	39+150.000								
	39+050		39+150	100.0	100.0						
	39+054		39+150	96.0	96.0		24.0				
	39+060		39+096	36.0	36.0						
	39+060		39+150	90.0	90.0		22.5				
STERLING AVE	100+911		101+000	89.0	267.0		22.3				
WAR MEMORIAL	39+150.000	TO	39+500.000								
	39+150		39+193	43.0	43.0						
	39+150		39+411	261.0	261.0						
	39+150		39+412	262.0			65.5				
	39+150		39+417	267.0	267.0						
	39+150		39+418	268.0			67.0				
	39+150		39+420	270.0	270.0						
	39+422		39+500	78.0	78.0						
	39+423		39+500	77.0			19.3				
	39+426		39+500	74.0	74.0						
	39+427		39+500	73.0			18.3				
	39+428		39+500	72.0	72.0						
SCENIC DR	10+050		10+104	54.0	54.0						
SCENIC DR	10+050		10+166	116.0	116.0						
SCENIC DR	10+050		10+187	137.0			34.3				
SCENIC DR	10+050		10+191	141.0			35.3				
SCENIC DR	10+050		10+200	150.0		150.0					
SCENIC DR	10+050		10+224	174.0		174.0					
SCENIC DR	10+113		10+228	115.0	115.0						
SCENIC DR	10+172		10+222	50.0	50.0						
SCENIC DR	10+200		10+226	26.0	26.0						
SCENIC DR	10+247		10+290	43.0	43.0						
SCENIC DR	10+248		10+290	42.0	42.0						
MALL ACCESS	9+937		9+993	56.0	112.0						
FRONTAGE RD				35.0			70.0				
BRANDYWINE DR				75.0			150.0				
WAR MEMORIAL	39+500.000	TO	39+850.000								
	39+500		39+850	75.0		150.0	37.5				
	39+500		39+563	75.0		75.0					
WAR MEMORIAL	39+850.000	TO	40+175.000								
	39+850		40+175	75.0		150.0	37.5				
WAR MEMORIAL	40+175.000	TO	40+481.000								
	40+175		40+481	75.0		150.0	37.5				

	SUBTOTAL	I-74		2,063.0	1,989.0	0.0	0.0	0.0	0.0	0.0
	SUBTOTAL	WAR MEMORIAL DR		2,212.0	1,069.0	351.3	69.5	0.0	0.0	0.0
	TOTAL	STAGE 3-2		4,275.0	3,058.0	351.3	69.5	0.0	0.0	0.0
	ROUNDED TOTAL	STAGE 3-2		4,275	3,058	351	70	0	0	0



REVISIONS		ILLINOIS DEPARTMENT OF TRANSPORTATION TEMPORARY PAVEMENT MARKING FAI ROUTE 74 (I-74) (WB) SCHEDULES
NAME	DATE	

DATE 11/12/04
DRAWN BY CADD
CHECKED BY RSC

F.A. RTE.	SECTION	COUNTY	TOTAL SHEETS	SHEET NO.
74	(72-7)R-3	PEORIA	1300	88
STA.		TO STA.		
FED. ROAD DIST. NO.		ILLINOIS FED. AID PROJECT		

TEMPORARY PAVEMENT MARKING SCHEDULE											
FAI ROUTE 74					TEMPORARY PAVEMENT MARKING TAPE, TYPE III					WET TEMPORARY PAVEMENT MARKING TAPE TYPE III	
					100 MM WHITE SOLID	100 MM YELLOW SOLID	100 MM WHITE SKIP-DASH	100 MM YELLOW SKIP-DASH	200 MM WHITE SOLID	100 MM WHITE SOLID	100 MM YELLOW SOLID
LOCATIONS	STATION	TO	STATION	LENGTH	M	M	M	M	M	M	M

I-74 MAINLINE,	141+250.000	TO	144+718.000								
WAR MEMORIAL	38+965.070	TO	39+150.000								
	39+047		39+063	16.0	16.0						
	39+047		39+150	103.0			25.8				
	39+048		39+150	102.0	102.0						
	39+049		39+150	101.0		101.0					
	39+053		39+150	97.0		97.0					
	39+055		39+150	95.0			23.8				
	39+058		39+072	14.0	14.0						
	39+073		39+150	77.0	77.0						
	39+079		39+150	71.0	71.0						
STERLING AVE	100+911		101+000	89.00	89.0	178.0	22.3				
STERLING AVE	100+950		101+000	50.00	50.0		12.5				
WAR MEMORIAL	39+150.000	TO	39+500.000								
	39+150		39+191	41.0	41.0						
	39+150		39+386	236.0	236.0						
	39+150		39+404	254.0	254.0						
	39+150		39+406	256.0			64.0				
	39+150		39+408	258.0		258.0					
	39+150		39+420	270.0		270.0					
	39+150		39+435	285.0			71.3				
	39+324		39+407	83.0	83.0						
	39+405		39+416	11.0	11.0						
	39+432		39+494	62.0	62.0						
	39+432		39+500	68.0		68.0					
	39+432		39+500	68.0			34.0				
	39+432		39+500	68.0	68.0						
	39+434		39+453	19.0	19.0						
	39+435		39+500	65.0		65.0					
	39+451		39+500	49.0	49.0						
	39+474		39+500	26.0	26.0						
SCENIC DR	10+014		10+225	211.0		211.0					
SCENIC DR	10+040		10+112	72.0		72.0					
SCENIC DR	10+112		10+153	41.0	41.0						
SCENIC DR	10+153		10+218	65.0		65.0					
SCENIC DR	10+189		10+225	36.0	36.0						
SCENIC DR	10+189		10+239	50.0	50.0						
SCENIC DR	10+254		10+265	11.0		11.0					
SCENIC DR	10+254		10+265	11.0	22.0						
SCENIC DR	10+254		10+289	35.0		35.0					
SCENIC DR	10+254		10+289	35.0	35.0						
SCENIC DR	10+254		10+291	37.0		74.0					
SCENIC DR	10+254		10+291	37.0	74.0						
SCENIC DR	10+257		10+291	34.0	34.0						
MALL ACCESS	9+937		9+989	52.0	104.0		26.0				
SUBTOTAL I-74				0.0	0.0	0.0	0.0	0.0	0.0	0.0	0.0
SUBTOTAL WAR MEMORIAL DR				1,664.0	1,505.0	279.5	0.0	0.0	0.0	0.0	0.0

REVISIONS		ILLINOIS DEPARTMENT OF TRANSPORTATION TEMPORARY PAVEMENT MARKING FAI ROUTE 74 (I-74) (WB) SCHEDULES
NAME	DATE	



DATE 11/12/04
DRAWN BY CADD
CHECKED BY RSC

F.A. RTE.	SECTION	COUNTY	TOTAL SHEETS	SHEET NO.
74	(72-7)R-3	PEORIA	1360	89
STA.		TO STA.		
FED. ROAD DIST. NO.		ILLINOIS FED. AID PROJECT		

TEMPORARY PAVEMENT MARKING SCHEDULE					TEMPORARY PAVEMENT MARKING TAPE, TYPE III					WET TEMPORARY PAVEMENT MARKING TAPE TYPE III	
FAI ROUTE 74					100 MM	100 MM	100 MM	100 MM	200 MM	100 MM	100 MM
					WHITE	YELLOW	WHITE	YELLOW	WHITE	WHITE	YELLOW
					SOLID	SOLID	SKIP-DASH	SKIP-DASH	SOLID	SOLID	SOLID
LOCATIONS	STATION	TO	STATION	LENGTH	M	M	M	M	M	M	M

STAGE 3-3 (CONTINUED)

WAR MEMORIAL	39+150.000	TO	39+500.000	(CONTINUED)							
	39+230		39+410	180.0		180.0					
	39+300		39+410	110.0	110.0						
	39+300		39+500	200.0	200.0		50.0				
	39+441		39+500	59.0		59.0					
SCENIC DR	10+050		10+098	48.0	48.0						
SCENIC DR	10+050		10+109	59.0		59.0					
SCENIC DR	10+092		10+153	61.0	61.0						
SCENIC DR	10+103		10+225	122.0	122.0						
SCENIC DR	10+109		10+153	44.0		44.0					
SCENIC DR	10+112		10+153	41.0		82.0					
SCENIC DR	10+153		10+219	66.0		132.0					
MALL ACCESS	9+936		9+981	45.0		90.0					
MALL ACCESS	10+254		10+289	35.0	35.0						
WAR MEMORIAL	39+500.000	TO	39+850.000								
	39+500		39+850	350.0	700.0	700.0	175.0				
	39+500		39+555	55.0	55.0						
WAR MEMORIAL	39+850.000	TO	40+175.000								
	39+850		40+175	325.0	650.0	650.0	162.5				
WAR MEMORIAL	40+175.000	TO	40+481.000								
	40+175		40+481	306.0	612.0	612.0	153.0				

SUBTOTAL		I-74		0.0	0.0	0.0	0.0	0.0	0.0	0.0	0.0
SUBTOTAL	WAR MEMORIAL DR (THIS SHEET)			2,593.0	2,608.0	540.5	0.0	0.0	0.0	0.0	0.0
SUBTOTAL	WAR MEMORIAL DR (STAGE)			4,257.0	4,113.0	820.0	0.0	0.0	0.0	0.0	0.0
TOTAL	STAGE 3-3			4,257.0	4,113.0	820.0	0.0	0.0	0.0	0.0	0.0
ROUNDED TOTAL	STAGE 3-3			4,257	4,113	820	0	0	0	0	0

REVISIONS		ILLINOIS DEPARTMENT OF TRANSPORTATION TEMPORARY PAVEMENT MARKING FAI ROUTE 74 (I-74) (WB) SCHEDULES
NAME	DATE	



DRAWN BY CADD
CHECKED BY RSC
DATE 11/12/04

F.A. RTE.	SECTION	COUNTY	TOTAL SHEETS	SHEET NO.
74	(72-7)R-3	PEORIA	1360	90
STA.		TO STA.		
FED. ROAD DIST. NO.		ILLINOIS	FED. AID PROJECT	

TEMPORARY PAVEMENT MARKING SCHEDULE					TEMPORARY PAVEMENT MARKING TAPE, TYPE III					WET TEMPORARY PAVEMENT MARKING TAPE TYPE III	
FAI ROUTE 74					100 MM	100 MM	100 MM	100 MM	200 MM	100 MM	100 MM
					WHITE	YELLOW	WHITE	YELLOW	WHITE	WHITE	YELLOW
					SOLID	SOLID	SKIP-DASH	SKIP-DASH	SOLID	SOLID	SOLID
LOCATIONS	STATION	TO	STATION	LENGTH	M	M	M	M	M	M	M

I-74 MAINLINE,	141+250.000	TO	143+000.000								
I-74 MAINLINE,	143+000.000	TO	143+300.000								
	143+000		143+300	300.0	300.0	300.0					
	143+025		143+300	275.0	275.0	275.0					
I-74 MAINLINE,	143+300.000	TO	143+650.000								
	143+300		143+515	215.0		215.0					
	143+300		143+350	50.0		50.0					
	143+300		143+538	238.0	238.0						
I-74 MAINLINE,	143+650.000	TO	143+950.000								
	143+650		143+950	300.0			300.0				
I-74 MAINLINE,	143+950.000	TO	144+250.000								
	143+950		144+250	300.0			300.0				
I-74 MAINLINE,	144+250.000	TO	144+325.000								
	144+250		144+325	75.0			75.0				
I-74 MAINLINE,	144+325.000	TO	144+600.000								
	144+325		144+600	275.0			275.0				
I-74 MAINLINE,	144+600.000	TO	144+718.000								
	144+600		144+718	118.0			118.0				
WAR MEMORIAL	38+965.070	TO	39+150.000								
	38+965		39+150	184.9			184.9				
WAR MEMORIAL	39+150.000	TO	39+500.000								
	39+150		39+500	350.0			350.0				
WAR MEMORIAL	39+500.000	TO	39+850.000								
	39+500		39+850	350.0			350.0				
WAR MEMORIAL	39+850.000	TO	40+175.000								
	39+850		40+175	325.0			325.0				
WAR MEMORIAL	40+175.000	TO	40+481.000								
	40+175		40+481	306.0			306.0				

SUBTOTAL	I-74	813.0	840.0	950.0	0.0	0.0	0.0	0.0
SUBTOTAL	WAR MEMORIAL DR	0.0	0.0	1,515.9	0.0	0.0	0.0	0.0
TOTAL	STAGE 3-4	813.0	840.0	2,465.9	0.0	0.0	0.0	0.0
ROUNDED TOTAL	STAGE 3-4	813	840	2,466	0	0	0	0

SUBTOTAL (ALL STAGES)	I-74	10,789.0	9,552.0	2,031.6	0.0	0.0	635.0	200.0
SUBTOTAL (ALL STAGES)	WAR MEMORIAL DR	9,916.0	7,730.0	3,385.4	69.5	0.0	0.0	0.0
TOTAL (ALL STAGES)		20,705.0	17,282.0	5,417.1	69.5	0.0	635.0	200.0
ROUNDED TOTAL (ALL STAGES)		20,705	17,282	5,417	70	0	635	200

REVISIONS		ILLINOIS DEPARTMENT OF TRANSPORTATION TEMPORARY PAVEMENT MARKING FAI ROUTE 74 (I-74) (WB) SCHEDULES
NAME	DATE	



DRAWN BY CADD
CHECKED BY RSC
DATE 11/12/04

F.A. RTE.	SECTION	COUNTY	TOTAL SHEETS	SHEET NO.
74	(72-7)R-3	PEORIA	1300	71
STA.		TO STA.		
FED. ROAD DIST. NO.		ILLINOIS	FED. AID PROJECT	

WORK ZONE PAVEMENT MARKING REMOVAL SCHEDULE								
FAI ROUTE 74					STAGE 3-1	STAGE 3-2	STAGE 3-3	STAGE 3-4
LOCATIONS	STATION	TO	STATION	LENGTH	SQ M	SQ M	SQ M	SQ M
I-74 MAINLINE	140+900.000	TO	141+250.000	350.00	0.00	0.00	0.00	0.00
I-74 MAINLINE	141+250.000	TO	141+600.000	350.00	30.00	0.00	94.15	0.00
I-74 MAINLINE	141+600.000	TO	141+950.000	350.00	71.45	0.00	218.75	0.00
I-74 MAINLINE	141+950.000	TO	142+300.000	350.00	78.75	0.00	226.25	0.00
I-74 MAINLINE	142+300.000	TO	142+650.000	350.00	78.75	12.00	280.00	0.00
I-74 MAINLINE	142+650.000	TO	143+000.000	350.00	78.75	0.00	218.29	0.00
I-74 MAINLINE	143+000.000	TO	143+300.000	300.00	67.50	0.00	247.50	50.00
I-74 MAINLINE	143+300.000	TO	143+600.000	300.00	87.50	0.00	157.50	35.00
I-74 MAINLINE	143+600.000	TO	143+900.000	300.00	67.50	0.00	136.00	0.00
I-74 MAINLINE	143+900.000	TO	144+250.000	350.00	67.50	0.00	112.20	0.00
I-74 MAINLINE	144+250.000	TO	144+325.000	75.00	16.88	0.00	33.75	0.00
I-74 MAINLINE	144+325.000	TO	144+600.000	275.00	68.75	0.00	123.75	0.00
I-74 MAINLINE	144+600.000	TO	144+718.000	118.00	29.50	0.00	53.10	0.00
WAR MEMORIAL DR	38+966.000	TO	39+150.000	184.00	0.00	47.25	64.50	196.20
WAR MEMORIAL DR	39+150.000	TO	39+500.000	350.00	0.00	104.50	255.85	419.05
WAR MEMORIAL DR	39+500.000	TO	39+850.000	350.00	0.00	17.50	112.50	227.50
WAR MEMORIAL DR	39+850.000	TO	40+175.000	325.00	0.00	16.25	81.25	211.25
WAR MEMORIAL DR	40+175.000	TO	40+481.000	306.00	0.00	15.30	76.50	198.90
SUBTOTAL I-74					742.83	12.00	1,901.24	85.00
SUBTOTAL WAR MEMORIAL DR					0.00	200.80	590.60	1,252.90
TOTAL					742.83	212.80	2,491.84	1,337.90
ROUNDED TOTAL					743	213	2,492	1,338

REVISIONS		ILLINOIS DEPARTMENT OF TRANSPORTATION WORK ZONE PAVEMENT MARKING REMOVAL FAI ROUTE 74 (I-74) (WB) SCHEDULES
NAME	DATE	
		DRAWN BY CADD CHECKED BY RSC DATE 11/12/04



F.A. RTE.	SECTION	COUNTY	TOTAL SHEETS	SHEET NO.
74	(72-7)R-3	PEORIA	1360	92
STA.		TO STA.		
FED. ROAD DIST. NO.		ILLINOIS FED. AID PROJECT		

INTERSTATE I-74				MODULAR GLARE SCREEN SYSTEM	IMPACT ATTENUATORS TEMPORARY (NON-REDIRECTIVE) TEST LEVEL 3	STAGE 3-1			STAGE 3-2		STAGE 3-4	
LOCATIONS	STA	TO	STA	M	EA	TEMPORARY CONCRETE BARRIER (STATE OWNED)	RELOCATE TEMPORARY CONCRETE BARRIER (STATE OWNED)	REMOVAL & DISPOSAL OF TEMPORARY CONCRETE BARRIER	RELOCATE TEMPORARY CONCRETE BARRIER (STATE OWNED)	REMOVAL & DISPOSAL OF TEMPORARY CONCRETE BARRIER	RELOCATE TEMPORARY CONCRETE BARRIER (STATE OWNED)	REMOVAL & DISPOSAL OF TEMPORARY CONCRETE BARRIER
						M	M	M	M	M	M	M
WB I-74	141+450.000	TO	141+600.000				61.0				61.0	
	141+600.000	TO	141+950.000			343.0	7.0				7.0	343.0
	141+950.000	TO	142+300.000			350.0						350.0
	142+300.000	TO	142+650.000		1.0	350.0	150.0		150.0			500.0
	142+650.000	TO	143+000.000	122.0		350.0				250.0		350.0
	143+000.000	TO	143+300.000	300.0	2.0	331.0		160.0				331.0
	143+300.000	TO	143+650.000	350.0		514.0						514.0
	143+650.000	TO	143+950.000	300.0		300.0						300.0
	143+950.000	TO	144+250.000	300.0		300.0		150.0				300.0
	144+250.000	TO	144+325.000	75.0		75.0		75.0				75.0
	144+325.000	TO	144+600.000	275.0		275.0		275.0				275.0
	144+600.000	TO	144+718.000	118.0		118.0		118.0				118.0
SUBTOTAL, 2-LANE				1,372.0	3.0	2,838.0	218.0	310.0	150.0	250.0	68.0	2,988.0
SUBTOTAL, 3-LANE				468.0	0.0	468.0	0.0	468.0	0.0	0.0	0.0	468.0
SUBTOTAL				1,840.0	3.0	3,306.0	218.0	778.0	150.0	250.0	68.0	3,456.0
TOTAL, ALL STAGES 2-LANE				1,372.0	3.0	2,838.0	436.0	3,548.0				
TOTAL, ALL STAGES 3-LANE				468.0	0.0	468.0	0.0	936.0				
TOTALS				1,840.0	3.0	3,306.0	436.0	4,484.0				



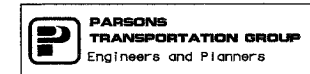
REVISIONS	
NAME	DATE

ILLINOIS DEPARTMENT OF TRANSPORTATION
 TEMPORARY CONCRETE BARRIER
 FAI ROUTE 74 (I-74) (WB)
 SCHEDULES
 DATE 11/12/04
 DRAWN BY CADD
 CHECKED BY

PERMANENT PAVEMENT MARKINGS SCHEDULE

FAI ROUTE 74				POLYUREA PAVEMENT MARKINGS TYPE I									EPOXY PAVEMENT
				LINE 100mm		LINE 150mm	LINE 200mm			LINE 300mm	LINE 600mm	LETTERS & SYMBOLS	
				SOLID	SOLID	DASH	SOLID	DASH	DOT	SOLID	SOLID		
				WHITE	YELLOW	WHITE	WHITE	WHITE	WHITE	WHITE	WHITE		
LOCATIONS	STA	TO	STA	L	M	M	M	M	M	M	M	WHITE SM	
I-74 & RAMPS													
	141+900.00	TO	141+950.00										
I74 EB	141+900.000		141+950.000	50	50.00	50.00	12.50						
I74 WB	141+900.000		141+950.000	50	50.00	50.00	12.50						
	141+950.00	TO	142+300.000										
I74 EB	141+950.000		142+300.000	350	350.00	350.00	87.50						
I74 WB	141+950.000		142+205.000	255	255.00	255.00	63.75						
I74 WB	142+205.000		142+300.000	95		95.00	23.75			23.75			
RAMP A-4	10+540.000		10+635.000	95	95.00								
	142+300.00	TO	142+650.000										
I-74 EB	142+300.000		142+328.000	28	28.00	28.00	7.00						
I-74 EB	142+326.000		142+400.000	74		74.00	18.50			18.50			
I-74 EB	142+400.000		142+526.000	126		126.00	31.50	126.00					
I-74 EB	142+526.000		142+650.000	124	124.00	124.00	31.00						
I74 WB	142+300.000		142+460.000	160		160.00	40.00			40.00			
I74 WB	142+460.000		142+610.000	150		150.00	37.50	150.00					
I74 WB	142+610.000		142+650.000	40	40.00	40.00	10.00						
RAMP A-1	10+000.000		10+072.000	72	72.00								
RAMP A-1	10+072.000		10+199.000	127	127.00			127.00					
RAMP A-1	10+199.000		10+326.000	127	127.00	127.00							
A-1 GORE CHEVRONS										43.40			
RAMP A-4	10+190.000		10+225.000	35	35.00	35.00							
RAMP A-4	10+225.000		10+375.000	150	150.00			150.00					
RAMP A-4	10+375.000		10+540.000	165	165.00								
	142+650.00	TO	143+000.000										
I-74 EB	142+650.000		143+000.000	350	350.00	350.00	87.50						
I74 WB	142+650.000		142+880.000	230	230.00	230.00	57.50						
I74 WB	142+880.000		143+000.000	120		120.00	30.00			30.00			
RAMP A-1	10+326.000		10+375.000	49									
RAMP A-1	10+375.000		10+420.000	45						11.25			
RAMP A-1	10+420.000		10+500.000	80							4.38		
RAMP A-3	10+840.000		10+875.000	35	35.00	35.00				8.75			
RAMP A-3	10+875.000		10+980.000	105	105.00	105.00		105.00			10.80	2.46	
RAMP A-4	10+030.000		10+175.000	145	148.00	145.00	36.25						
RAMP B-5	11+234.000		11+354.000	120	120.00								
	143+000.00	TO	143+300.000										
I-74 EB	143+000.000		143+145.000	145	145.00	145.00	36.25						
I-74 EB	143+145.000		143+300.000	155		155.00	38.75	155.00					
I-74WB	143+000.000		143+140.000	140		140.00	35.00			35.00			
I-74WB	143+140.000		143+300.000	160		160.00	40.00	160.00					
RAMP A-2	10+240.000		10+440.000	200	200.00			200.00					
RAMP A-3	10+531.000		10+832.000	301	301.00	301.00							
RAMP A-3	10+832.000		10+840.000	8	8.00	8.00				2.00			
RAMP B-5	10+930.000		11+095.000	165	165.00								
RAMP B-5	11+095.000		11+234.000	139	139.00			139.00					
SUBTOTAL, I-74 & RAMPS (SHEET)					3,614.00	3,558.00	736.75	1,312.00	0.00	169.25	43.40	10.80	6.84

F.A. RTE.	SECTION	COUNTY	TOTAL SHEETS	SHEET NO.
74	(72-74R-3)	PEORIA	1360	93
STA.		TO STA.		
FED. ROAD DIST. NO.		ILLINOIS	FED. AID PROJECT	



REVISIONS	
NAME	DATE

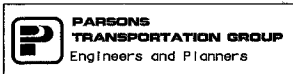
ILLINOIS DEPARTMENT OF TRANSPORTATION
 PERMANENT PAVEMENT MARKING
 FAI ROUTE 74 (I-74) (WB)
 SCHEDULES
 DRAWN BY CADD
 CHECKED BY RSC
 DATE 11/12/04

F.A. RTE.	SECTION	COUNTY	TOTAL SHEETS	SHEET NO.
74	(72-7)R-3	PEORIA	1360	74
STA.	TO STA.			
FED. ROAD DIST. NO.	ILLINOIS	FED. AID PROJECT		

PERMANENT PAVEMENT MARKINGS SCHEDULE														
FAI ROUTE 74					POLYUREA PAVEMENT MARKINGS TYPE I						EPOXY PAVEMENT			
					LINE 100mm		LINE 150mm	LINE 200mm			LINE 300mm	LINE 600mm	LETTERS & SYMBOLS	
					SOLID	SOLID	DASH	SOLID	DASH	DOT	SOLID	SOLID	WHITE	
					WHITE	YELLOW	WHITE	WHITE	WHITE	WHITE	WHITE	WHITE	SM	
LOCATIONS	STA	TO	STA	L	M	M	M	M	M	M	M	M		

I-74 & RAMPS CONTINUED												
LOCATIONS	STA	TO	STA	L	M	M	M	M	M	M	M	M
	143+300.00	TO	143+650.00									
I-74 EB	143+300.000		143+325.000	25		25.00	6.25	25.00				
I-74 EB	143+325.000		143+375.000	50		50.00	25.00					
I-74 EB	143+375.000		143+650.000	275	275.00	275.00	137.50					
I-74 WB	143+300.000		143+325.000	25		25.00	6.25	25.00				
I-74 WB	143+325.000		143+621.000	296	296.00	296.00	74.00					
I-74 WB	143+621.000		143+650.000	29		29.00	7.25	29.00				
RAMP A-2	10+440.000		10+465.000	25				25.00				
RAMP A-2	10+465.000		10+517.000	52	52.00							
RAMP A-3	10+172.000		10+221.000	49	49.00			49.00				
RAMP A-3	10+221.000		10+530.000	309	309.00	309.00						
A-3 GORE CHEVRONS										22.40		
RAMP B-1	10+700.000		10+905.000	205	205.00	205.00						
RAMP B-1	10+905.000		10+929.000	24		24.00		24.00				
RAMP B-1	10+929.000		10+950.000	21	21.00	21.00		42.00				
RAMP B-2	10+583.000		10+732.000	149	149.00	149.00						
RAMP B-2	10+732.000		10+754.000	22	22.00			22.00				
RAMP B-3	10+151.000		10+373.000	222	222.00	222.00						
RAMP B-4	10+192.000		10+326.000	134		134.00	33.50					
RAMP B-4	10+326.000		10+442.000	116	116.00	116.00						
RAMP B-5	10+725.000		10+905.000	180	180.00	180.00						
RAMP B-5	10+905.000		10+930.000	25	25.00			25.00				
RAMP B-6	10+271.000		10+405.000	134	134.00							
	143+650.00	TO	143+950.00									
I74EB	143+650.000		143+670.000	20	20.00	20.00	10.00					
I74EB	143+670.000		143+690.000	20		20.00	10.00					
I74EB	143+690.000		143+811.000	121		121.00	30.25	121.00				
I74EB	143+811.000		143+950.000	139	139.00	139.00	34.75					
I74WB	143+650.000		143+730.000	80		80.00		80.00				
I74WB	143+730.000		143+820.000	90		90.00			22.50			
I74WB	143+820.000		143+950.000	130	130.00	130.00						
RAMP A-3	10+000.000		10+090.000	90	90.00			90.00				
RAMP A-3	10+090.000		10+172.000	82	82.00							
A-3 GORE CHEVRONS										26.60		
RAMP B-1	10+000.000		10+020.000	20	20.00							
RAMP B-1	10+020.000		10+138.000	118	118.00			118.00				
RAMP B-1	10+138.000		10+175.000	37	37.00	37.00						
B-1 GORE CHEVRONS										81.40		
RAMP B-2	10+274.000		10+325.000	51	51.00	51.00	12.75					
RAMP B-2	10+325.000		10+430.000	105	105.00	105.00	26.25					
RAMP B-2	10+430.000		10+550.000	120	120.00			120.00				
RAMP B-2	10+550.000		10+583.000	33	33.00	33.00						
RAMP B-3	10+000.000		10+122.000	122		122.00		122.00				
RAMP B-3	10+122.000		10+151.000	29	29.00	29.00						
B-3/B-1 GORE CHEVRONS										35.10		
	10+175.000	TO	10+700.000									
RAMP B-1	10+175.000		10+490.000	315	315.00	315.00						
RAMP B-1	10+490.000		10+700.000	210	210.00	210.00						
RAMP B-4	10+442.000		10+850.000	408	408.00	408.00						

SUBTOTAL, I-74 & RAMPS (SHEET)	3,962.00	3,970.00	413.75	917.00	0.00	22.50	165.50	0.00	0.00
SUBTOTAL, I-74 & RAMPS (SHEETS 1 & 2)	7,576.00	7,528.00	1,150.50	2,229.00	0.00	191.75	208.90	10.80	6.84

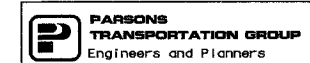


REVISIONS	
NAME	DATE

ILLINOIS DEPARTMENT OF TRANSPORTATION
 PERMANENT PAVEMENT MARKING
 FAI ROUTE 74 (I-74) (WB)
 SCHEDULES
 DRAWN BY CADD
 CHECKED BY RSC
 DATE 11/12/04

F.A. RTE.	SECTION	COUNTY	TOTAL SHEETS	SHEET NO.
74	(72-7)R-3	PEORIA	1360	95
STA.		TO STA.		
FED. ROAD DIST. NO.		ILLINOIS	FED. AID PROJECT	

PERMANENT PAVEMENT MARKINGS SCHEDULE													
FAI ROUTE 74				POLYUREA PAVEMENT MARKINGS TYPE I								EPOXY PAVEMENT	
				LINE 100mm		LINE 150mm	LINE 200mm			LINE 300mm	LINE 600mm	LETTERS & SYMBOLS	
				SOLID	SOLID	DASH	SOLID	DASH	DOT	SOLID	SOLID		
				WHITE	YELLOW	WHITE	WHITE	WHITE	WHITE	WHITE	WHITE		
LOCATIONS	STA	TO	STA	L	M	M	M	M	M	M	M	SM	
I-74 & RAMPS CONTINUED													
	143+950.00	TO	144+250.00										
I74EB	143+950.000		144+178.000	228	228.00	228.00	57.00						
I74EB	144+178.000		144+250.000	72		72.00	18.00	72.00					
I74WB	143+950.000		144+030.000	80	80.00	80.00	20.00						
I74WB	144+030.000		144+147.000	117		117.00	29.25	117.00					
I74WB	144+147.000		144+220.000	73		73.00	18.25						
I74WB	144+220.000		144+250.000	30	30.00	30.00	15.00						
RAMP B-2	10+000.000		10+075.000	75	75.00		18.75						
RAMP B-2	10+075.000		10+193.000	118	118.00		29.50	118.00					
RAMP B-2	10+193.000		10+274.000	81	81.00	81.00	20.25						
B-2 GORE CHEVRONS										56.40			
RAMP B-4	10+850.000		11+044.000	194	194.00	194.00							
RAMP B-4	11+044.000		11+115.000	71	71.00			71.00					
	144+250.00	TO	144+600.00										
I74EB	144+250.000		144+440.000	190		190.00	47.50	190.00					
I74EB	144+440.000		144+600.000	160	160.00	160.00	80.00						
I74WB	144+250.000		144+600.000	350	350.00	350.00	175.00						
RAMP B-4	11+115.000		11+261.000	146	146.00			146.00					
	144+600.00	TO	144+718.00										
I74EB	144+600.000		144+718.000	118	118.00	118.00	59.00						
I74WB	144+600.000		144+718.000	118	118.00	118.00	59.00						
	39+500.000	TO	39+850.000										
RAMP B-3	10+975.000		11+142.000	167	167.00	167.00							
RAMP B-3	11+142.000		11+156.000	14	14.00			14.00					
RAMP B-3	11+156.000		11+185.000	29	29.00								
	39+850.000	TO	40+175.000										
RAMP B-3	10+556.000		10+975.000	419	419.00	419.00							
RAMP B-5	10+023.000		10+035.000	12									
RAMP B-5	10+035.000		10+042.000	7	7.00								
RAMP B-5	10+042.000		10+060.000	18	18.00								
RAMP B-5	10+060.000		10+070.000	10	10.00			10.00					
RAMP B-5	10+070.000		10+550.000	480	480.00	480.00							
RAMP B-6	10+000.000		10+023.000	23	23.00								
RAMP B-6	10+023.000		10+045.000	22	22.00								
RAMP B-6	10+045.000		10+055.000	10	10.00			10.00					
RAMP B-6	10+055.000		10+075.000	20	20.00	20.00							
SUBTOTAL, I-74 & RAMPS (SHEET)					2,988.00	2,897.00	646.50	748.00	0.00	0.00	56.40	0.00	0.00
SUBTOTAL, I-74 & RAMPS (SHEETS 1 - 3)					0,564.00	0,425.00	1,797.00	2,977.00	0.00	191.75	265.30	10.80	6.84



REVISIONS		ILLINOIS DEPARTMENT OF TRANSPORTATION PERMANENT PAVEMENT MARKING FAI ROUTE 74 (I-74) (WB) SCHEDULES
NAME	DATE	
		DRAWN BY CADD CHECKED BY RSC DATE 11/12/04

PERMANENT PAVEMENT MARKINGS SCHEDULE

F.A. RTE.	SECTION	COUNTY	TOTAL SHEETS	SHEET NO.
74	(72-7)R-3	PEORIA	1360	96
STA.	TO STA.			
FED. ROAD DIST. NO.	ILLINOIS	FED. AID PROJECT		

FAI ROUTE 74					POLYUREA PAVEMENT MARKINGS TYPE I								EPOXY PAVEMENT
					LINE 100mm		LINE 150mm	LINE 200mm			LINE 300mm	LINE 600mm	LETTERS & SYMBOLS
					SOLID	SOLID	DASH	SOLID	DASH	DOT	SOLID	SOLID	
					WHITE	YELLOW	WHITE	WHITE	WHITE	WHITE	WHITE	WHITE	WHITE
LOCATIONS	STA	TO	STA	L	M	M	M	M	M	M	M	M	SM

I-74 & RAMPS CONTINUED													
LOCATIONS	STA	TO	STA	L	M	M	M	M	M	M	M	M	M
RAMP B-1	40+175.000		40+481.000										
RAMP B-1	10+950.000		10+966.000	16	16.00	16.00		32.00					
RAMP B-1	10+966.000		10+990.000	24	24.00	24.00		24.00					
RAMP B-1	10+990.000		11+057.000	67	67.00	67.00			16.75				
RAMP B-1	11+057.000		11+128.000	71	71.00	71.00				17.75			
RAMP B-1	11+128.000		11+131.000	3	3.00	3.00							
RAMP B-1	11+131.000		11+143.000	12	12.00			12.00					
RAMP B-1	11+143.000		11+157.000	14	14.00								
RAMP B-1	11+157.000		11+169.000	12									
RAMP B-3	10+373.000		10+556.000	183	183.00	183.00							
RAMP B-4	10+012.000		10+106.000	94	94.00	94.00							
RAMP B-4	10+106.000		10+126.000	20	20.00			20.00					
RAMP B-4	10+126.000		10+150.000	24	24.00			24.00					
RAMP B-4	10+150.000		10+192.000	42	42.00				10.50				
RAMP B-5	10+550.000		10+725.000	175	175.00	175.00							
RAMP B-6	10+075.000		10+183.000	108	108.00	108.00							
RAMP B-6	10+183.000		10+204.000	21	21.00			21.00					
RAMP B-6	10+204.000		10+271.000	67	67.00								

SUBTOTAL, I-74 & RAMPS (SHEET)	941.00	741.00	0.00	133.00	27.25	17.75	0.00	0.00	0.00
SUBTOTAL, I-74 & RAMPS	11,505.00	11,166.00	1,797.00	3,110.00	27.25	209.50	265.30	10.80	6.84
SUBTOTAL, I-74 & RAMPS	22,671.0	1,797.0		3,346.8		265.3	10.8	6.8	

WAR MEMORIAL DR & SIDE STREETS

LOCATIONS	STA	TO	STA	L	M	M	M	M	M	M	M	M	M
	142+650.000		143+000.000										
STERLING AVENUE	99+950.000		99+985.000	35				18.10		22.75	3.90	14.40	0.82
STERLING AVENUE	99+985.000		100+030.000	45		90.00	11.25					10.80	2.46
STERLING AVENUE	100+042.000		100+100.000	58			14.50	47		15.3	42.2	3.6	2.46
	38+965.000		39+150.000										
	39+150.000		39+500.000										
	39+500.000		39+850.000										
WAR MEMORIAL DR	39+700.000		39+715.000	15	15.00								
	39+850.000		40+175.000										
WAR MEMORIAL DR	39+931.000		39+943.000	12	12.00								
WAR MEMORIAL DR	40+158.000		40+171.000	13	13.00								
	40+175.000		40+481.000										
WAR MEMORIAL DR	40+256.000		40+258.000	2	2.00								
WAR MEMORIAL DR	40+320.000		40+333.000	13	13.00								

SUBTOTAL, WAR MEMORIAL DR & SIDE STREETS	55.00	90.00	25.75	65.10	0.00	38.05	46.10	28.80	5.74
	145.0	25.8		103.2		46.1	28.8	5.7	

TOTALS	11,560.00	11,256.00	1,822.75	3,175.10	27.25	247.55	311.40	39.60	12.58
	22,816.0	1,822.8		3,449.9		311.4	39.6	12.6	



REVISIONS		ILLINOIS DEPARTMENT OF TRANSPORTATION PERMANENT PAVEMENT MARKING FAI ROUTE 74 (I-74) (WB) SCHEDULES
NAME	DATE	
		DRAWN BY CADD CHECKED BY RSC DATE 11/12/04

F.A. RTE.	SECTION	COUNTY	TOTAL SHEETS	SHEET NO.
74	(72-7)R-3	PEORIA	1360	97
STA.		TO STA.		
FED. ROAD DIST. NO.		ILLINOIS	FED. AID PROJECT	

PERMANENT PAVEMENT MARKINGS SCHEDULE

FAI ROUTE 74					THERMOPLASTIC PAVEMENT MARKINGS								LETTERS & SYMBOL		
					LINE 100mm		LINE 150mm	LINE 200mm			LINE 300mm			LINE 600mm	
					SOLID	SOLID	DASH	SOLID	SOLID	DASH	DOT	SOLID		SOLID	SOLID
					WHITE	YELLOW	WHITE	WHITE	YELLOW	WHITE	WHITE	WHITE		YELLOW	WHITE
LOCATIONS	STA	TO	STA	L	M	M	M	M	M	M	M	M	M	SM	
I-74 & RAMPS															
	141+900.000		144+718.000												
	39+850.000	TO	40+175.000												
RAMP B-5	10+023.000		10+035.000	12	12.00										
RAMP B-5	10+042.000		10+060.000	18				18.00							
RAMP B-6	10+023.000		10+045.000	22				22.00							
	40+175.000	TO	40+481.000												
RAMP B-1	11+157.000		11+169.000	12	12.00										
SUBTOTAL, I-74 & RAMPS					24.00	0.00	0.00	40.00	0.00	0.00	0.00	0.00	0.00	0.00	
					24.0	0.0		40.0			0.0	0.0	0.0		

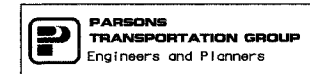
WAR MEMORIAL DR & SIDE STREETS

	38+965.000	TO	39+150.000	L											
WAR MEMORIAL DR	38+965.000		38+993.000	28		56.00	14.00	56.00						0.82	
WAR MEMORIAL DR	38+993.000		39+003.000	10		20.00	5.00	20.00							
WAR MEMORIAL DR	39+003.000		39+010.000	7		14.00	1.75	21.00				7.20		2.46	
WAR MEMORIAL DR	39+010.000		39+012.000	2		4.00	0.50	6.00							
WAR MEMORIAL DR	39+012.000		39+019.000	7			1.75	21.00				7.20			
WAR MEMORIAL DR	39+019.000		39+022.000	3				6.00							
WAR MEMORIAL DR	39+022.000		39+031.000	9				9.00							
WAR MEMORIAL DR	39+031.000		39+047.000	16											
WAR MEMORIAL DR	39+047.000		39+052.000	5				5.00							
WAR MEMORIAL DR	39+052.000		39+059.000	7			1.75	14.00				7.20			
WAR MEMORIAL DR	39+059.000		39+060.000	1		2.00	0.25	2.00				3.60			
WAR MEMORIAL DR	39+060.000		39+074.000	14			28.00	3.50	28.00					0.82	
WAR MEMORIAL DR	39+074.000		39+078.000	4	8.00	8.00	3.00	8.00							
WAR MEMORIAL DR	39+078.000		39+150.000	72	144.00	144.00	54.00	144.00							
STERLING AVE	100+892.000		100+910.000	18				18.00		4.50		4.00			
STERLING AVE	100+910.000		100+943.000	33		66.00	16.50	99.00				2.00		1.64	
STERLING AVE	100+943.000		100+973.000	30		60.00	15.00	120.00							
STERLING AVE	100+973.000		100+995.000	22		44.00	11.00	120.20			33.20		19.40	1.64	
STERLING AVE	100+995.000		100+996.000	1				1.00							
STERLING AVE	100+996.000		100+999.000	3				6.00							
STERLING AVE	100+999.000		101+012.000	13				106.40			59.60		5.00		
GLEN AVE	101+029.000		101+037.000	8				116.10			76.40				
GLEN AVE	101+037.000		101+041.000	4			1.00	8.00					12.20		
GLEN AVE	101+041.000		101+045.000	4			1.00	12.00					8.60		
GLEN AVE	101+045.000		101+048.000	3		6.00	0.75	9.00					3.60		
GLEN AVE	101+048.000		101+054.000	6		12.00	3.00	18.00							
GLEN AVE	101+054.000		101+074.000	20		40.00	10.00	60.00						3.28	
GLEN AVE	101+074.000		101+108.000	34		68.00	17.00	68.00						1.64	
SUBTOTAL, WAR MEMORIAL DR & SIDE STREETS					152.00	572.00	160.75	1,101.70	0.00	4.50	0.00	175.20	0.00	74.00	12.30

REVISIONS		ILLINOIS DEPARTMENT OF TRANSPORTATION PERMANENT PAVEMENT MARKING FAI ROUTE 74 (I-74) (WB) SCHEDULES
NAME	DATE	

DATE 11/12/04

DRAWN BY CADD
CHECKED BY RSC



PERMANENT PAVEMENT MARKINGS SCHEDULE

F.A. RTE.	SECTION	COUNTY	TOTAL SHEETS	SHEET NO.
74	(72-7)R-3	PEORIA	1360	98
STA.		TO STA.		
FED. ROAD DIST. NO.		ILLINOIS FED. AID PROJECT		

FAI ROUTE 74					THERMOPLASTIC PAVEMENT MARKINGS							LETTERS & SYMBOL				
					LINE 100mm		LINE 150mm	LINE 200mm			LINE 300mm			LINE 600mm		
					SOLID	SOLID	DASH	SOLID	SOLID	DASH	DOT			SOLID	SOLID	SOLID
					WHITE	YELLOW	WHITE	WHITE	YELLOW	WHITE	WHITE			WHITE	YELLOW	WHITE
LOCATIONS	STA	TO	STA	L	M	M	M	M	M	M	M	M	M	SM		

WAR MEMORIAL DR & SIDE STREETS (CONTINUED)

WAR MEMORIAL DR	39+150.000	TO	39+500.000												
WAR MEMORIAL DR	39+150.000		39+192.000	42	84.00	84.00	126.00	84.00							1.64
WAR MEMORIAL DR	39+192.000		39+235.000	43	86.00	86.00	43.00				43.00				
WAR MEMORIAL DR	39+235.000		39+255.000	20	40.00	40.00	20.00				20.00				
WAR MEMORIAL DR	39+255.000		39+287.000	32	64.00	64.00	32.00				32.00				
WAR MEMORIAL DR	39+287.000		39+392.000	105	241.50	210.00	105.00	105.00							1.64
WAR MEMORIAL DR	39+392.000		39+403.000	11		22.00	11.00	22.00				68.50			
WAR MEMORIAL DR	39+403.000		39+405.000	2		4.00	2.00	2.00						14.40	
WAR MEMORIAL DR	39+405.000		39+406.000	1											
WAR MEMORIAL DR	39+406.000		39+415.000	9				9.00							
WAR MEMORIAL DR	39+415.000		39+430.000	15							18.30				
WAR MEMORIAL DR	39+430.000		39+432.000	2				2.00							
WAR MEMORIAL DR	39+432.000		39+438.000	6				12.00							
WAR MEMORIAL DR	39+438.000		39+440.000	2	4.00		1.00	4.00						10.80	
WAR MEMORIAL DR	39+440.000		39+441.000	1	2.00	2.00	0.50	2.00							
WAR MEMORIAL DR	39+441.000		39+488.000	47	94.00	94.00	47.00	141.00							2.46
WAR MEMORIAL DR	39+488.000		39+500.000	12	24.00	24.00	12.00	24.00							
SCENIC DR	10+050.000		10+058.000	8		16.00	8.00								
SCENIC DR	10+058.000		10+086.000	28		56.00	28.00				7.00				
SCENIC DR	10+086.000		10+095.000	9		18.00	18.00								1.64
SCENIC DR	10+095.000		10+100.000	5		10.00									
SCENIC DR	10+100.000		10+112.000	12							8.28				
SCENIC DR	10+112.000		10+121.000	9			9.00								
SCENIC DR	10+121.000		10+130.000	9		18.00	2.25	9.00						10.80	1.64
SCENIC DR	10+130.000		10+154.000	24		48.00	6.00	48.00			6.00				0.82
SCENIC DR	10+154.000		10+168.000	14		28.00	3.50	28.00			3.50				0.82
SCENIC DR	10+168.000		10+174.000	6		12.00	1.50	12.00	6.00		1.50				
SCENIC DR	10+174.000		10+184.000	10		20.00	2.50	30.00	10.00						3.01
SCENIC DR	10+184.000		10+201.000	17		34.00	4.25	51.00	17.00						
SCENIC DR	10+201.000		10+205.000	4		8.00	1.00	12.00							
SCENIC DR	10+205.000		10+214.000	9		18.00	2.25	36.00							0.82
SCENIC DR	10+214.000		10+221.000	7		14.00	1.75	21.00							
SCENIC DR	10+221.000		10+227.000	6				12.00						13.60	
SCENIC DR	10+227.000		10+253.000	26											
SCENIC DR	10+253.000		10+263.000	10		20.00	2.50	60.80						17.20	
SCENIC DR	10+263.000		10+266.000	3		6.00	0.75	6.00							
SCENIC DR	10+266.000		10+278.000	12		24.00	3.00	24.00						1.64	
SCENIC DR	10+278.000		10+281.000	3		6.00	0.75	3.00							
SCENIC/WAR MEMORIAL ISLAND CHEVRONS												57.80			
SCENIC/MALL ACCESS CHEVRONS												5.00			
N MALL ACCESS	9+936.000		9+984.000	48		96.00	12.00	48.00							0.82
N MALL ACCESS	9+984.000		9+992.000	8				15.00						8.60	
FRONTAGE RD						25.20			35.80			34.20			
	39+500.000	TO	39+850.000												
WAR MEMORIAL DR	39+500.000		39+590.000	90	180.00	180.00	90.00	180.00			22.50				1.64
WAR MEMORIAL DR	39+590.000		39+600.000	10	20.00	20.00	10.00				2.50				
WAR MEMORIAL DR	39+600.000		39+669.000	69	138.00	138.00	69.00								
WAR MEMORIAL DR	39+669.000		39+700.000	31	31.00	62.00	31.00								
WAR MEMORIAL DR	39+700.000		39+715.000	15	15.00	30.00	11.25								
WAR MEMORIAL DR	39+715.000		39+850.000	135	270.00	270.00	101.25								

SUBTOTAL, WAR MEMORIAL DR & SIDE STREETS	1293.50	1807.20	756.00	1065.80	68.80	0.00	164.58	131.30	34.20	77.04	16.95
SUBTOTAL, WAR MEMORIAL DR & SIDE STREETS	1445.50	2379.20	916.75	2167.50	68.80	4.50	164.58	306.50	34.20	151.04	29.25



REVISIONS		ILLINOIS DEPARTMENT OF TRANSPORTATION PERMANENT PAVEMENT MARKING FAI ROUTE 74 (I-74) (WB) SCHEDULES
NAME	DATE	
		DRAWN BY CADD CHECKED BY RSC DATE 11/12/04

F.A. RTE.	SECTION	COUNTY	TOTAL SHEETS	SHEET NO.
74	(72-7)R-3	PEORIA	1360	99
STA.		TO STA.		
FED. ROAD DIST. NO.		ILLINOIS FED. AID PROJECT		

PERMANENT PAVEMENT MARKINGS SCHEDULE														
FAI ROUTE 74					THERMOPLASTIC PAVEMENT MARKINGS									
					LINE 100mm		LINE 150mm	LINE 200mm			LINE 300mm		LINE 600mm	LETTERS & SYMBOL
					SOLID	SOLID	DASH	SOLID	SOLID	DASH	DOT	SOLID	SOLID	
					WHITE	YELLOW	WHITE	WHITE	YELLOW	WHITE	WHITE	WHITE	YELLOW	WHITE
LOCATIONS	STA	TO	STA	L	M	M	M	M	M	M	M	M	SM	

WAR MEMORIAL DR & SIDE STREETS (CONTINUED)

	39+850.000	TO	40+175.000										
WAR MEMORIAL DR	39+850.000		39+853.000	3	6.00	6.00	2.25						
WAR MEMORIAL DR	39+853.000		39+931.000	78	78.00	156.00	58.50	156.00					
WAR MEMORIAL DR	39+931.000		39+943.000	12	12.00	24.00	9.00	12.00		96.07			
WAR MEMORIAL DR	39+943.000		39+964.000	21	21.00	42.00	15.75	21.00					
WAR MEMORIAL DR	39+964.000		39+983.000	19	19.00	38.00	14.25	19.00					
WAR MEMORIAL DR	39+983.000		40+045.000	62	124.00	124.00	46.50		15.50				
WAR MEMORIAL DR	40+045.000		40+086.000	41	82.00	82.00	30.75			10.25			
WAR MEMORIAL DR	40+086.000		40+109.000	23	46.00	46.00	17.25						
WAR MEMORIAL DR	40+109.000		40+135.000	26	26.00	52.00	13.00	26.00					
WAR MEMORIAL DR	40+135.000		40+158.000	23	23.00	46.00	11.50	23.00					
WAR MEMORIAL DR	40+158.000		40+171.000	13	13.00	26.00	6.50	13.00		45.90			
WAR MEMORIAL DR	40+171.000		40+175.000	4	4.00	8.00	2.00	8.00					
	40+175.000	TO	40+481.000										
WAR MEMORIAL DR	40+175.000		40+250.000	75	75.00	150.00	37.50	150.00		40.30			
WAR MEMORIAL DR	40+250.000		40+256.000	6	12.00	12.00	3.00						
WAR MEMORIAL DR	40+256.000		40+258.000	2	2.00	4.00	1.00						
WAR MEMORIAL DR	40+258.000		40+265.000	7	7.00	14.00	3.50						
WAR MEMORIAL DR	40+265.000		40+269.000	4	4.00		2.00						
WAR MEMORIAL DR	40+269.000		40+283.000	14	28.00		7.00						
WAR MEMORIAL DR	40+283.000		40+320.000	37	74.00	74.00	18.50	37.00					
WAR MEMORIAL DR	40+320.000		40+333.000	13	13.00	26.00	6.50	13.00					0.82
WAR MEMORIAL DR	40+333.000		40+346.000	13	13.00	26.00	9.75						
WAR MEMORIAL DR	40+346.000		40+358.000	12	12.00	24.00	9.00						
WAR MEMORIAL DR	40+358.000		40+481.000	123	246.00	246.00	92.25						

SUBTOTAL, WAR MEMORIAL DR & SIDE STREETS					940.00	1,226.00	417.25	478.00	0.00	15.50	10.25	182.27	0.00	0.00	0.82	
SUBTOTAL, WAR MEMORIAL DR & SIDE STREETS					2,385.5	3,605.2	1,334.0	2,645.5	68.8	20.0	174.8	488.8	34.2	151.0	30.1	
					5,990.7		1,334.0					2,909.1		523.0	151.0	30.1

TOTALS	2,409.50	3,605.20	1,334.00	2,685.50	68.80	20.00	174.83	488.77	34.20	151.04	30.07	
	6,014.7		1,334.0				2,949.1			523.0	151.0	30.1

REVISIONS		ILLINOIS DEPARTMENT OF TRANSPORTATION PERMANENT PAVEMENT MARKING FAI ROUTE 74 (I-74) (WB) SCHEDULES
NAME	DATE	



DRAWN BY CADD
CHECKED BY RSC
DATE 11/12/04

F.A. RTE.	SECTION	COUNTY	TOTAL SHEETS	SHEET NO.
74	(72-7)R-3	PEORIA	1360	100
STA.		TO STA.		
FED. ROAD DIST. NO.		ILLINOIS FED. AID PROJECT		

PERMANENT PAVEMENT MARKINGS SCHEDULE						
FAI ROUTE 74					RAISED REFLECTIVE MARKERS	
LOCATIONS	STA	TO	STA	L	2- WAY EACH	1- WAY EACH
I-74 & RAMPS						
	141+900.00	TO	141+950.00			
I74 EB	141+900.000		141+950.000	50		2
I74 WB	141+900.000		141+950.000	50		2
	141+950.00	TO	142+300.000			
I74 EB	141+950.000		142+300.000	350		14
I74 WB	141+950.000		142+205.000	255		10
I74 WB	142+205.000		142+300.000	95		4
	142+300.00	TO	142+650.000			
I-74 EB	142+300.000		142+328.000	28		1
I-74 EB	142+326.000		142+400.000	74		9
I-74 EB	142+400.000		142+526.000	126		5
I-74 EB	142+526.000		142+650.000	124		5
I74 WB	142+300.000		142+460.000	160		7
I74 WB	142+460.000		142+610.000	150		6
I74 WB	142+610.000		142+650.000	40		2
RAMP A-1	10+000.000		10+072.000	72		12
RAMP A-1	10+072.000		10+199.000	127		31
RAMP A-1	10+199.000		10+326.000	127		21
	142+650.00	TO	143+000.000			
I-74 EB	142+650.000		143+000.000	350		14
I74 WB	142+650.000		142+880.000	230		9
I74 WB	142+880.000		143+000.000	120		5
RAMP A-1	10+326.000		10+375.000	49		8
	143+000.00	TO	143+300.000			
I-74 EB	143+000.000		143+145.000	145		6
I-74 EB	143+145.000		143+300.000	155		6
I-74WB	143+000.000		143+140.000	140		6
I-74WB	143+140.000		143+300.000	160		7
	143+300.00	TO	143+650.000			
I-74 EB	143+300.000		143+325.000	25		1
I-74 EB	143+325.000		143+375.000	50		4
I-74 EB	143+375.000		143+650.000	275		23
I-74 WB	143+300.000		143+325.000	25		1
I-74 WB	143+325.000		143+621.000	296		12
I-74 WB	143+621.000		143+650.000	29		4
RAMPA-3	10+172.000		10+221.000	49		12
SUBTOTAL, I-74 & RAMPS					0.00	249.37

PERMANENT PAVEMENT MARKINGS SCHEDULE						
FAI ROUTE 74					RAISED REFLECTIVE MARKERS	
LOCATIONS	STA	TO	STA	L	2- WAY EACH	1- WAY EACH
I-74 & RAMPS						
	143+650.00	TO	143+950.000			
I74EB	143+650.000		143+670.000	20		2
I74EB	143+670.000		143+690.000	20		2
I74EB	143+690.000		143+811.000	121		15
I74EB	143+811.000		143+950.000	139		6
I74WB	143+650.000		143+730.000	80		10
I74WB	143+730.000		143+820.000	90		4
I74WB	143+820.000		143+950.000	130		5
RAMP A-3	10+000.000		10+090.000	90		15
RAMP A-3	10+090.000		10+172.000	82		20
RAMP B-1	10+000.000		10+020.000	20		3
RAMP B-1	10+020.000		10+138.000	118		29
RAMP B-1	10+138.000		10+175.000	37		3
RAMP B-2	10+325.000		10+430.000	105		17
RAMP B-2	10+430.000		10+550.000	120		30
RAMP B-2	10+550.000		10+583.000	33		3
RAMP B-3	10+000.000		10+122.000	122		10
	10+175.000	TO	10+700.000			
RAMP B-1	10+175.000		10+490.000	315		26
	143+950.00	TO	144+250.000			
I74EB	143+950.000		144+178.000	228		9
I74EB	144+178.000		144+250.000	72		3
I74WB	143+950.000		144+030.000	80		3
I74WB	144+030.000		144+147.000	117		14
I74WB	144+147.000		144+220.000	73		3
I74WB	144+220.000		144+250.000	30		1
RAMP B-2	10+000.000		10+075.000	75		12
RAMP B-2	10+075.000		10+193.000	118		29
	144+250.00	TO	144+600.000			
I74EB	144+250.000		144+440.000	190		8
I74EB	144+440.000		144+600.000	160		13
I74WB	144+250.000		144+600.000	350		29
	144+600.00	TO	144+718.000			
I74EB	144+600.000		144+718.000	118		10
I74WB	144+600.000		144+718.000	118		10
SUBTOTAL, I-74 & RAMPS					0.00	342.86
TOTAL, I-74 & RAMPS					0.00	592.22

REVISIONS		ILLINOIS DEPARTMENT OF TRANSPORTATION PERMANENT PAVEMENT MARKING FAI ROUTE 74 (I-74) (WB) SCHEDULES
NAME	DATE	



DATE 11/12/04
DRAWN BY CADD
CHECKED BY RSC