

68383

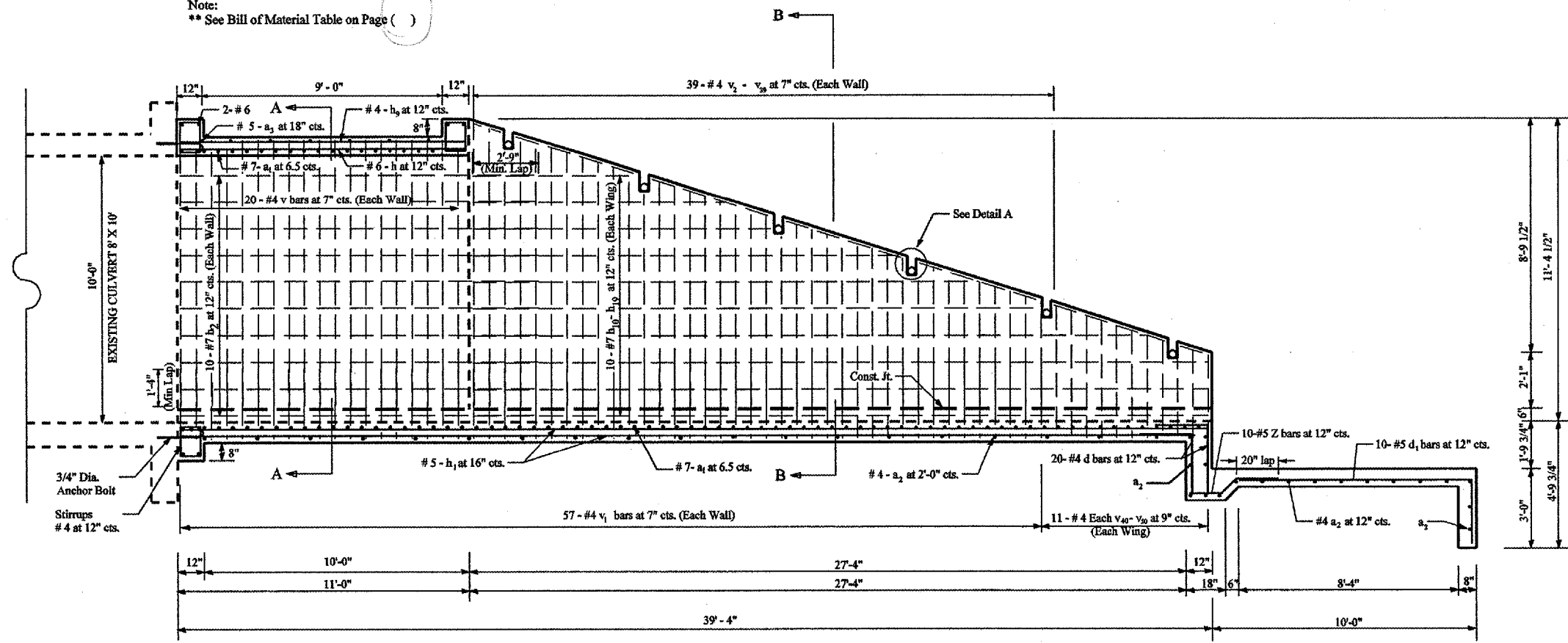
F.A.P. RTE.	SECTION	COUNTY	TOTAL SHEETS	SHEET NO.
693	*	TAZEWELL		22
STA. 581+00		TO STA. 587+00		
FED. ROAD DIST. NO. 4	ILLINOIS	FED. AID PROJECT		

* D4 CULVERT EXT. / REPAIR 2005-2

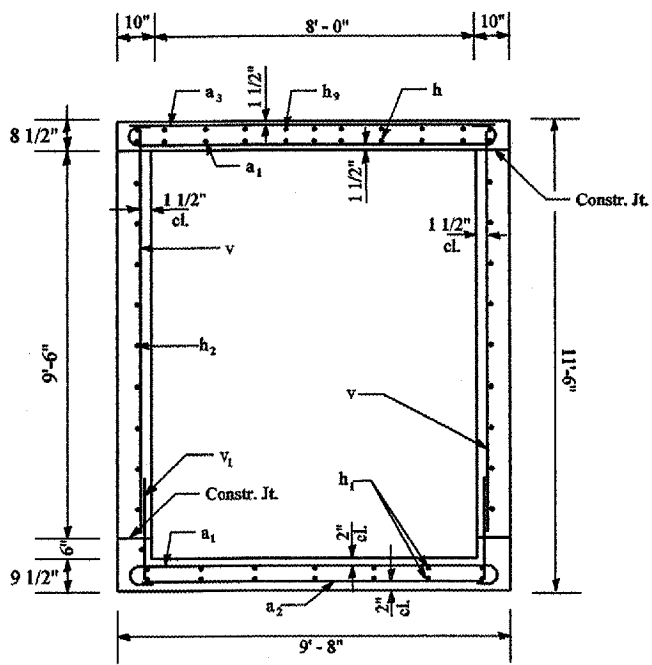
Note:
** See Bill of Material Table on Page ()

DATE	BY	REVIEWED	CHECKED

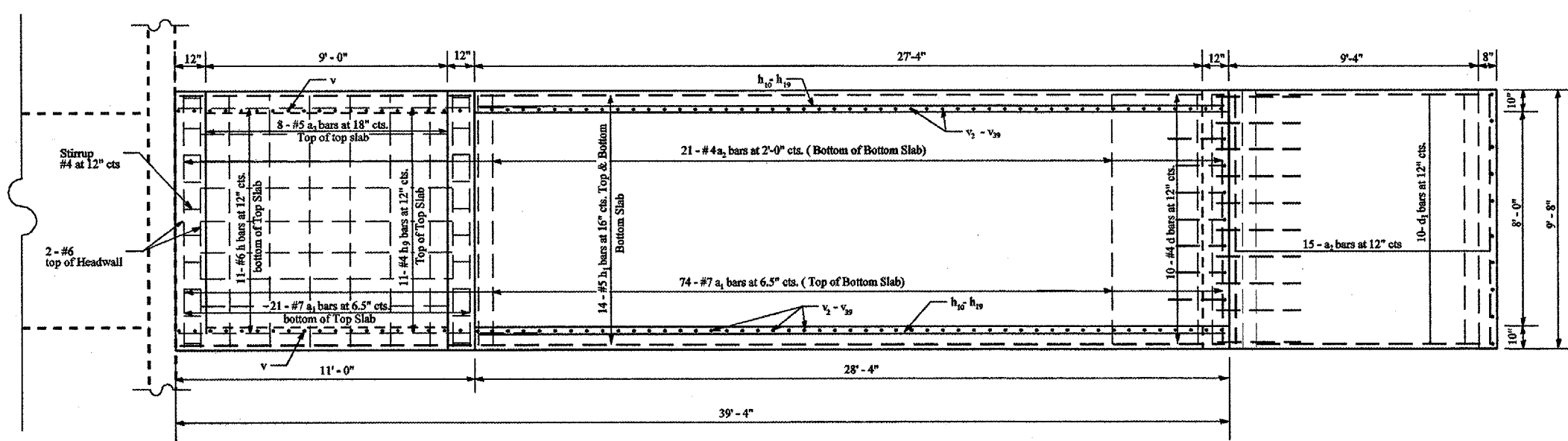
DATE	BY	REVIEWED	CHECKED



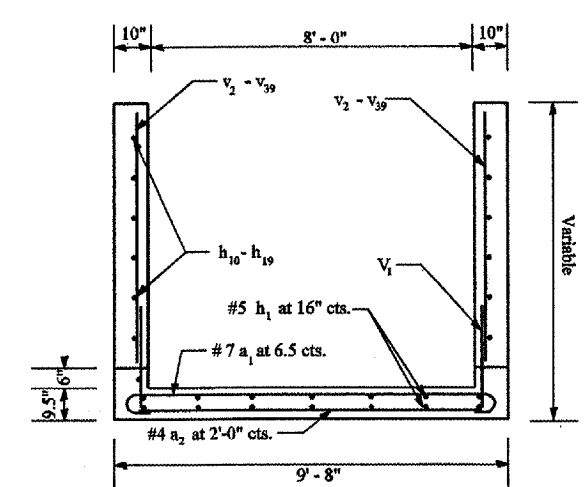
ELEVATION VIEW



SECTION A - A



PLAN VIEW



SECTION B - B

CULVERT EXTENSION DETAILS
STA. 583+51.04