

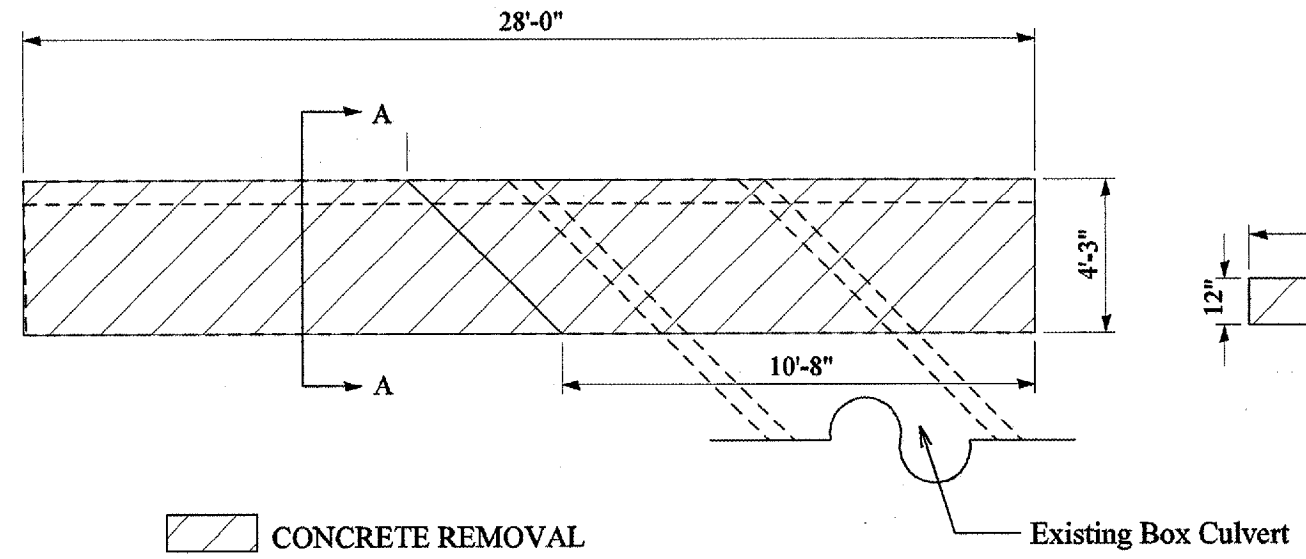
68383

| F.A.P. RTE. | SECTION | COUNTY | TOTAL SHEETS | SHEET NO. |
|---------------------|----------|------------------|--------------|-----------|
| 693 | * | TAZEWELL | - | 23 |
| STA. 856+50 | | TO STA. 862+50 | | |
| FED. ROAD DIST. NO. | ILLINOIS | FED. AID PROJECT | | |

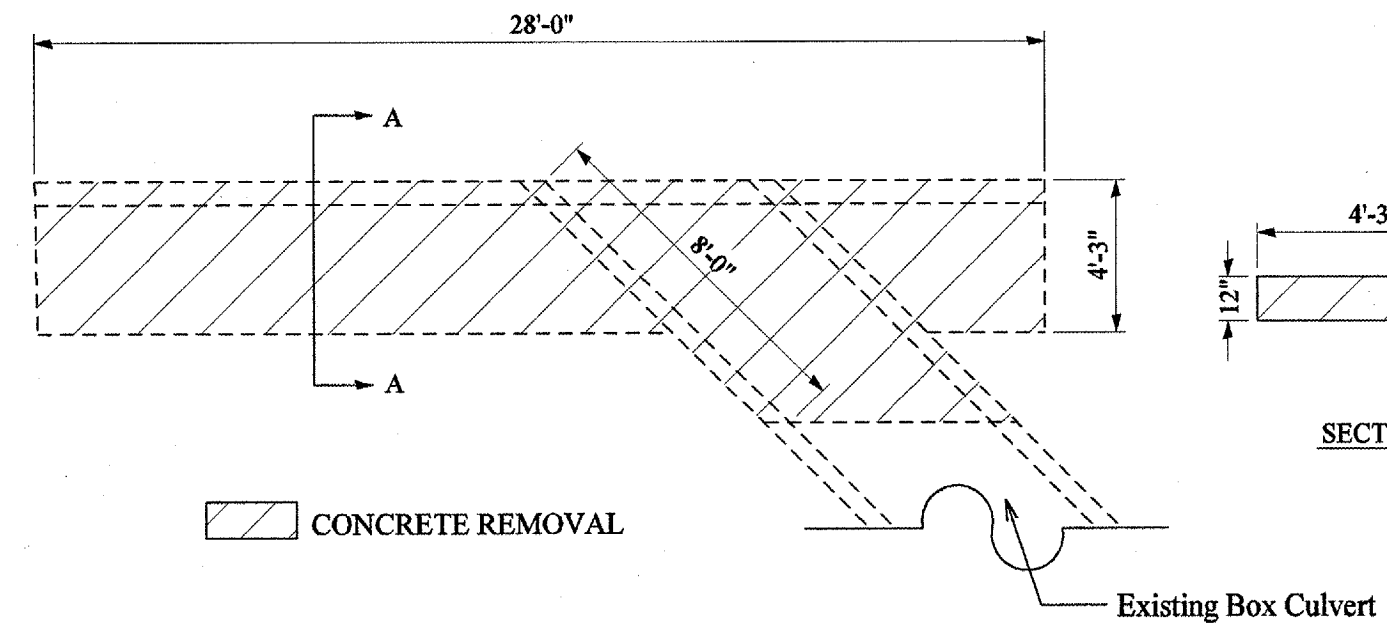
* D4 CULVERT EXT. / REPAIR 2005-2

| PLAN | DATE |
|-----------|------|
| SUBMITTED | |
| DESIGNED | |
| CHECKED | |
| BY | |
| NO. | |

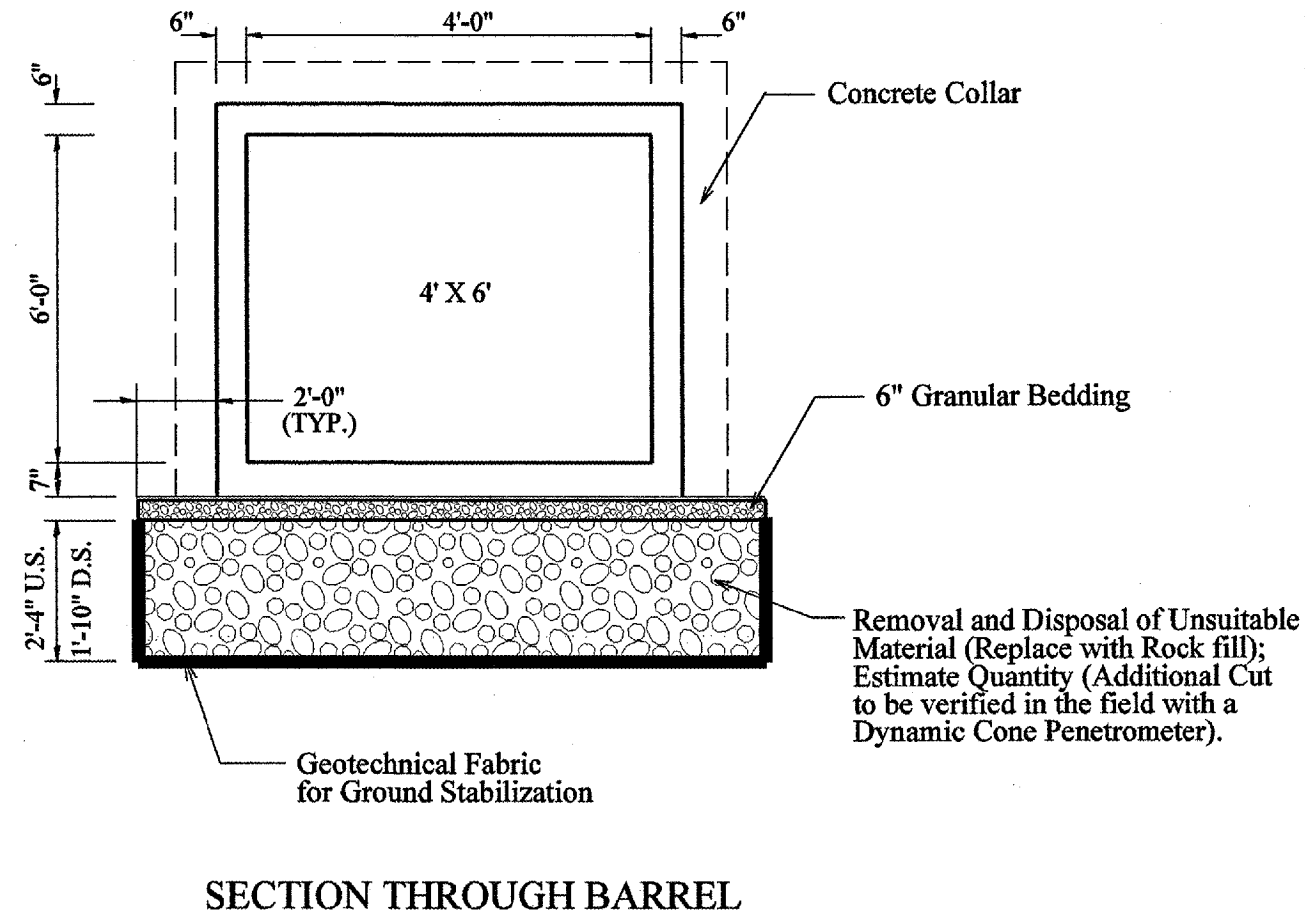
| PROFILE | DATE |
|-----------|------|
| SUBMITTED | |
| DESIGNED | |
| CHECKED | |
| BY | |
| NO. | |



CONCRETE REMOVAL DETAIL UPSTREAM



CONCRETE REMOVAL DETAIL DOWNSTREAM



CULVERT EXTENSION DETAILS
 STA. 860+23
 LOCATION #4