

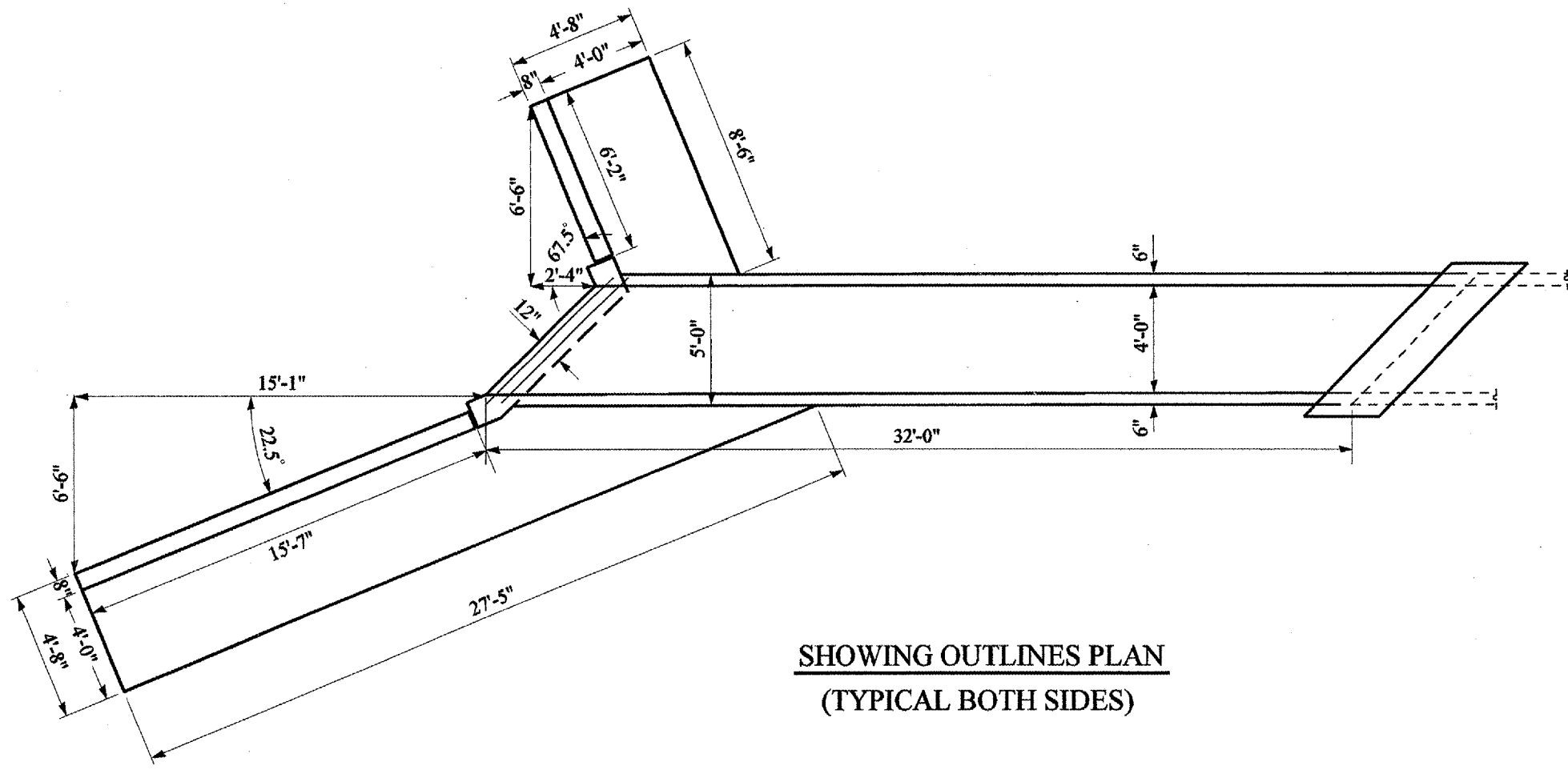
68383

F.A.P. RTE.	SECTION	COUNTY	TOTAL SHEETS	SHEET NO.
693	*	TAZEWELL	-	27
STA. 856+50		TO STA. 862+50		
FED. ROAD DIST. NO.	ILLINOIS	FED. AID PROJECT		

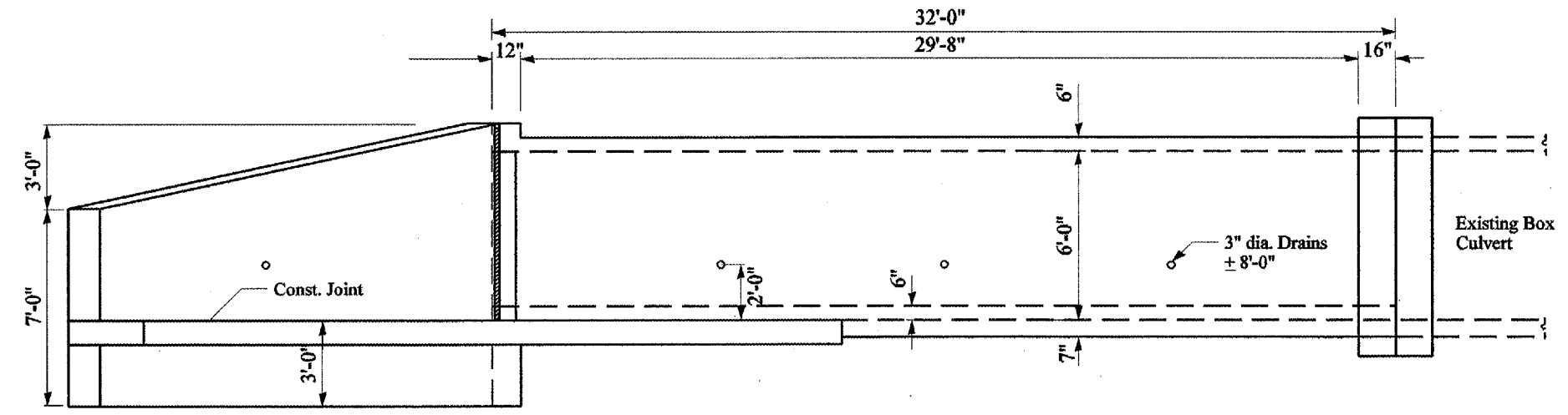
\* D4 CULVERT EXT. / REPAIR 2005-2

PLAN	DATE
BY	
REVISIONS	
NO.	

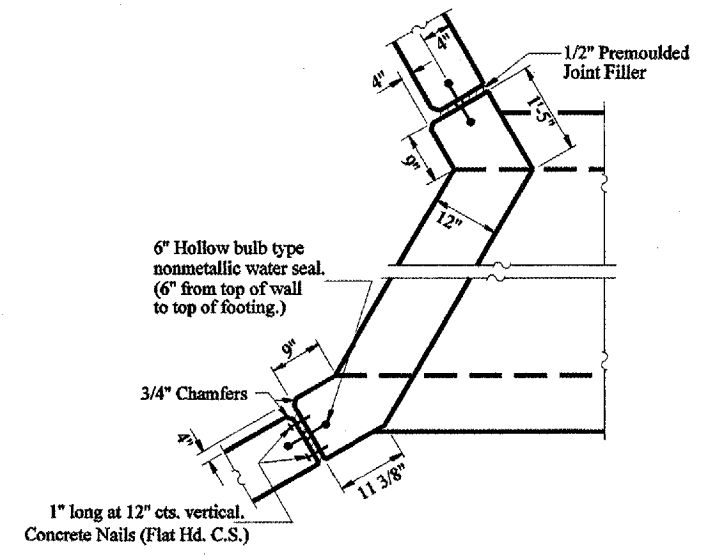
PROFILE	DATE
BY	
REVISIONS	
NO.	



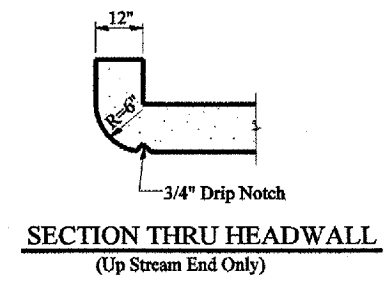
**SHOWING OUTLINES PLAN  
(TYPICAL BOTH SIDES)**



**ELEVATION (TYPICAL BOTH SIDES)**



**CORNER DETAIL**



**SECTION THRU HEADWALL  
(Up Stream End Only)**

**CULVERT EXTENSION DETAILS  
STA. 860+23  
LOCATION #4**