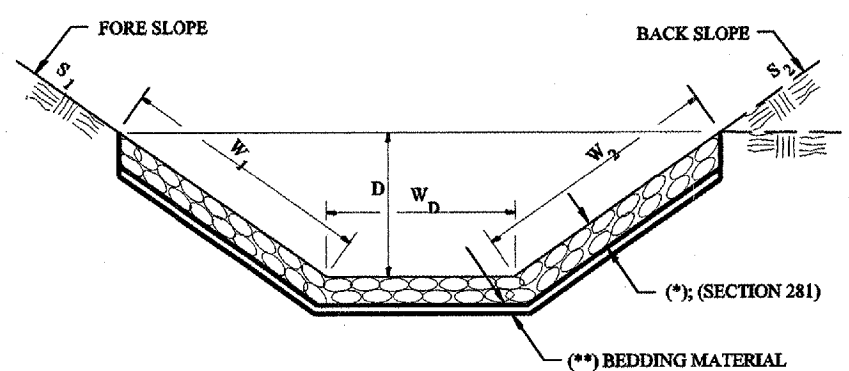


68383

F.A.P. RTE.	SECTION	COUNTY	TOTAL SHEETS	SHEET NO.
693		TAZEWELL		52
STA.		TO STA.		
FED. ROAD DIST. NO.	ILLINOIS	FED. AID PROJECT		
* D4 CULVERT EXT. / REPAIR 2005-2				

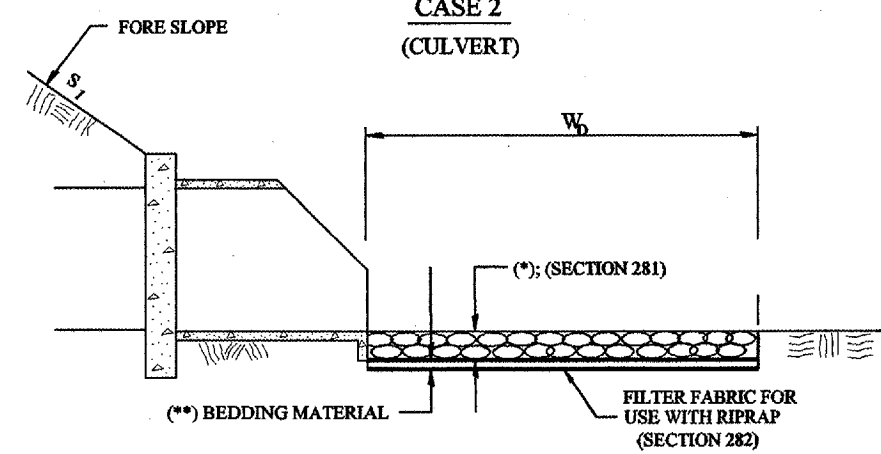
CASE 1
(DITCH)



PROPOSED STONE RIPRAP CLASS B-3				
LOCATION	WIDTH (1)	LENGTH	RIPRAP	FABRIC
STA TO STA	lin ft	lin ft	sq yds	sq yds
Rt. Sta. 582+50 - 583+45.42	variable	95.42	116	
Lt. Sta. 735+50 - 735+88	variable	38.5	36	
Lt. Sta. 736+10 - 736+50	variable	41.5	34	
Lt. Sta. 859+00 - 859+60	variable	61.25	77	
Lt. Sta. 859+83 - 860+50	variable	27.9	24	
Rt. Sta. 859+50 - 860+62	variable	114.86	149	
TOTAL			436	

(1) WIDTH = $W_1 + W_2 + W_D$

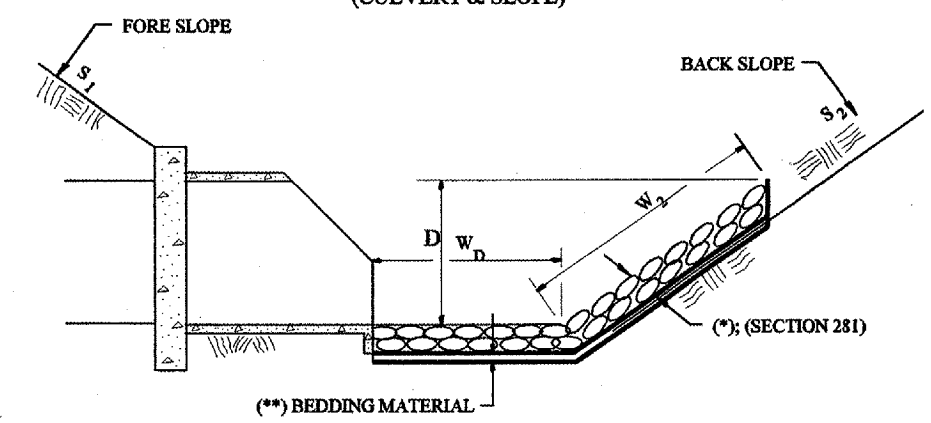
CASE 2
(CULVERT)



STONE RIPRAP CLASS A-4				
LOCATION	WIDTH (1)	LENGTH	RIPRAP	FABRIC
STA TO STA	lin ft	lin ft	sq yds	sq yds
RT STA. 583+51.04	10	14	16	16
LT STA. 860+23.21	22	26.67	72	72
TOTAL			88	88

(1) WIDTH = W_D

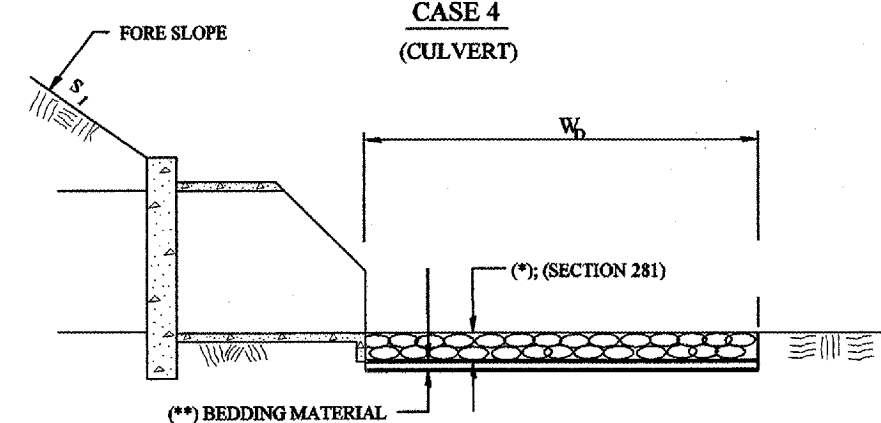
CASE 3
(CULVERT & SLOPE)



STONE RIPRAP CLASS A-4				
LOCATION	WIDTH (1)	LENGTH	RIPRAP	FABRIC
STA TO STA	lin ft	lin ft	sq yds	sq yds
RT STA. 860+23.21	VARIABLE	26.17	37	37
TOTAL			37	37

(1) WIDTH = $W_2 + W_D$

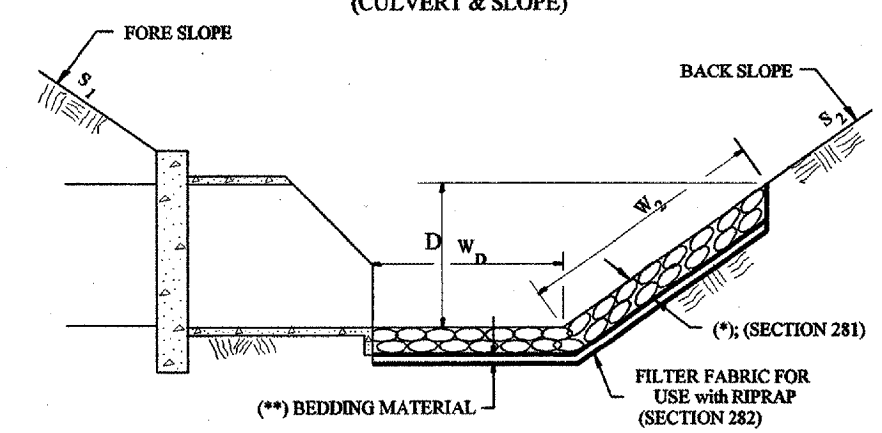
CASE 4
(CULVERT)



STONE RIPRAP CLASS A-3				
LOCATION	WIDTH (1)	LENGTH	RIPRAP	FABRIC
STA TO STA	lin ft	lin ft	sq yds	sq yds
RT STA. 723+96.29	17	20	38	
TOTAL			38	

(1) WIDTH = W_D

CASE 5
(CULVERT & SLOPE)



STONE RIPRAP CLASS A-3				
LOCATION	WIDTH (1)	LENGTH	RIPRAP	FABRIC
STA TO STA	lin ft	lin ft	sq yds	sq yds
LT STA. 724+03.25	10	20	22	
LT STA. 736+00	10	20	22	
RT STA. 735+98	17	20	36	
TOTAL			80	

(1) WIDTH = $W_2 + W_D$

All slope ratios are expressed as units of vertical displacement to units of horizontal displacement (V:H).
All dimensions are in millimeters (inches) unless otherwise noted.

ILLINOIS DEPARTMENT OF TRANSPORTATION
SPECIAL DETAIL SHEET
RIPRAP DITCH FOR EROSION PROTECTION
SCALE: NOT DRAWN TO SCALE DRAWN BY LCE
DATE 7/14/2004 CHECKED BY

Designer NOTES:
1. Designer to modify this Special Detail Sheet, as needed for inclusion in plans.
2. (*) Designer to specify pay item including material, quality, and gradation.
3. (**) Designer to specify thickness of bedding material.
4. Include District Special Provision if needed.

2/7/2005