

[217]465-4181

PROJECT ENGINEER: TIM BRANDENBURG

SQUAD LEADER: JEFF DAVISON

DESIGNER: KARY DAWSON

FAI ROUTE	SECTION	COUNTY	TOTAL SHEETS	SHEET NO.
57	*	**	6	1

PLAN NO. REC. | LINE NO. | PROJECT

* D-5 ANNUAL PATCHING 2005-5
 ** COLES AND DOUGLAS

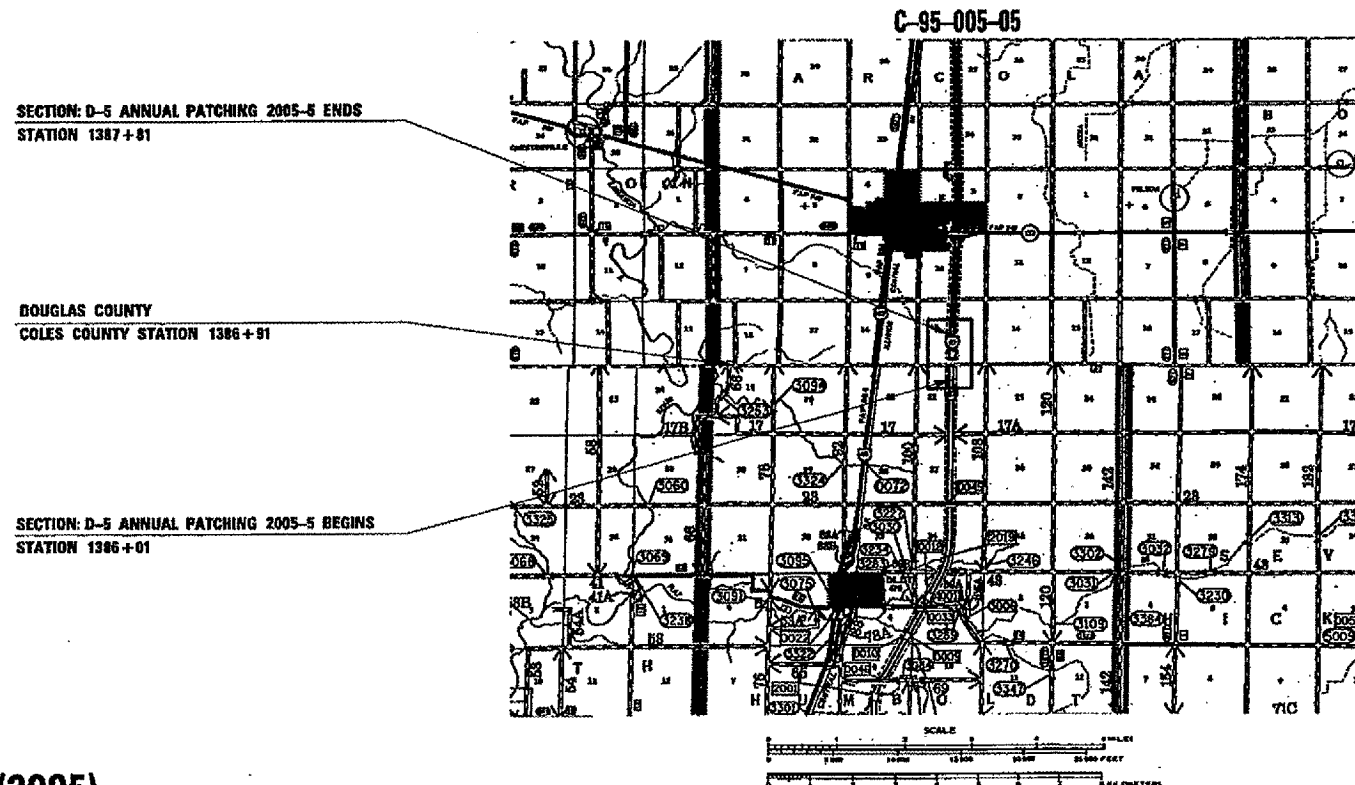
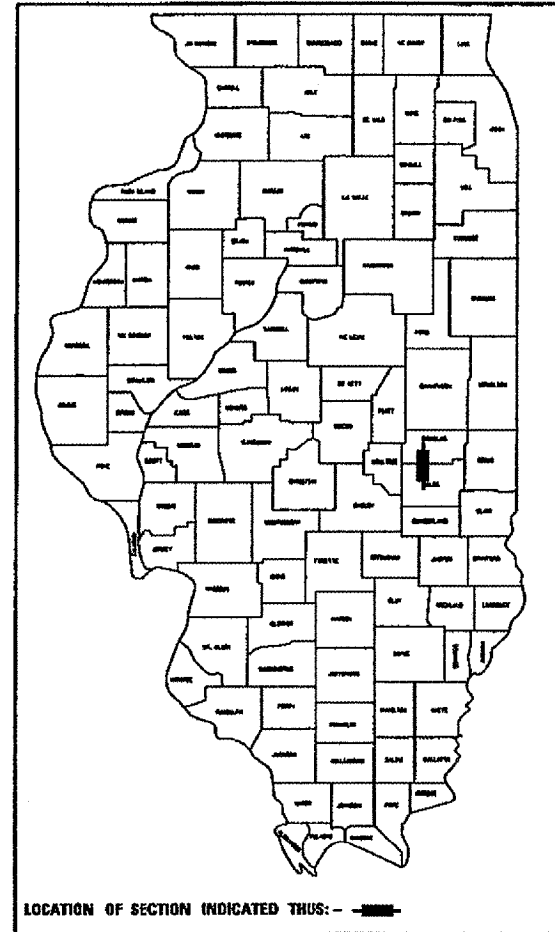
CONTRACT NO. 70456
 D-95-005-05

STATE OF ILLINOIS
DEPARTMENT OF TRANSPORTATION
DIVISION OF HIGHWAYS
PLANS FOR PROPOSED
HIGHWAY IMPROVEMENT

FOR INDEX OF SHEETS, SEE SHEET NO. 2
 FOR SUMMARY OF QUANTITIES, SEE SHEET NO. 4

SCALES (PLAN NO. PROFILE HORIZ. NA. PROFILE VERT. NA. CROSS SECTIONS HORIZONTAL NA. VERTICAL NA.)

FAI ROUTE 57 (INTERSTATE 57)
SECTION D-5 ANNUAL PATCHING 2005-5
COLES & DOUGLAS COUNTIES
PATCHING AT DOUGLAS & COLES COUNTY LINE



DESIGN DESIGNATION
 N/A

CURRENT ADT = 19,000 (2005)

CONTRACT NO. 70456

TOTAL AND NET LENGTH OF SECTION & PROJECT = 180 FEET = 0.034 MILES

STATE OF ILLINOIS
 DEPARTMENT OF TRANSPORTATION
 DIVISION OF HIGHWAYS

SUBMITTED: *Feb 20 05*

EXAMINED: *March 25, 2005* *Mike Hurd*
CHIEF OF DESIGN AND ENVIRONMENT

APPROVED: *March 25, 2005* *Victor Maden*
SUPervisor OF HIGHWAY, CHIEF DESIGNER

FOR UNDERGROUND UTILITY LOCATIONS CALL TOLL FREE J.U.L.I.E. TELEPHONE NO. 1-800-992-0123

PRINTED BY AUTHORITY OF THE STATE OF ILLINOIS

F.A.I. RTE.	SECTION	COUNTY	TOTAL SHEETS	SHEET NO.
57	*	**	6	2

CONTRACT NO. 70456
 * D-5 ANNUAL PATCHING 2005-5
 ** COLES AND DOUGLAS

HIGHWAY STANDARDS

- 001001 AREAS OF REINFORCEMENT BARS
- 001006 DECIMAL OF AN INCH AND OF A FOOT
- 420001-05 PAVEMENT JOINTS
- 421001-01 BAR REINFORCEMENT FOR CRC PAVEMENT
- 442001-02 CLASS A PATCHES
- 701400-02 APPROACH TO LANE CLOSURE, FREEWAY/EXPRESSWAY
- 701402-05 TRAFFIC CONTROL AND PROTECTION, LANE CLOSURE,
MULTILANE, FOR SPEEDS > 45 MPH, WITH BARRIER
- 702001-05 TRAFFIC CONTROL DEVICES
- 780001-01 TYPICAL PAVEMENT MARKINGS**

INDEX OF SHEETS

- 1. COVER SHEET
- 2. HIGHWAY STANDARDS
- 2. INDEX OF SHEETS
- 3. GENERAL NOTES
- 4. SUMMARY OF QUANTITIES
- 5. TYPICAL CROSS SECTION
- 6. PATCHING SCHEDULE

F.A.I. RTE.	SECTION	COUNTY	TOTAL SHEETS	SHEET NO.
57	*	**	6	3

CONTRACT NO. 70456
* D-5 ANNUAL PATCHING 2005-5
** COLES AND DOUGLAS

GENERAL NOTES

G. N. -100

ENGLISH UNITS OF MEASUREMENT SHALL GOVERN OVER AND SUPERSEDE ANY METRIC UNITS SHOWN IN THIS CONTRACT. WHERE INCLUDED, METRIC UNITS ARE FOR INFORMATION ONLY.

G. N. -442B -- PATCHING SCHEDULES

THE PATCHING SCHEDULES INCLUDED IN THE PLANS REPRESENT THE BEST INFORMATION AVAILABLE AT THE TIME OF COMPLETION OF THE PLANS FOR LETTING. VARIATIONS IN LOCATION AND SIZES OF BOTH FULL-DEPTH AND PARTIAL-DEPTH PATCHES MAY OCCUR.

SUMMARY OF QUANTITIES

F.A.I. RTE.	SECTION	COUNTY	TOTAL SHEETS	SHEET NO.
57	*	**	6	4

CONTRACT NO. 70456
 * D-5 ANNUAL PATCHING 2005-5
 ** COLES AND DOUGLAS

COLES COUNTY STATION 1386+01 TO STATION 1386+91 RURAL 100% STATE J000	DOUGLAS COUNTY STATION 1386+91 TO STATION 1387+81 RURAL 100% STATE J000
--	--

CONSTRUCTION TYPE CODE:

CODE NO	ITEM	UNIT	TOTAL QUANTITY	COLES COUNTY	DOUGLAS COUNTY
44200523	CLASS A PATCHES, TYPE IV, 7"	SQ. YD.	960.0	480.0	480.0
44213000	PATCHING REINFORCEMENT	SQ. YD.	960.0	480.0	480.0
44213200	SAW CUTS	FOOT	1,632.0	816.0	816.0
67100100	MOBILIZATION	L. SUM	1.0	0.5	0.5
70100207	TRAFFIC CONTROL & PROTECTION STANDARD 701402	EACH	4.0	2.0	2.0
70100305	TRAFFIC CONTROL & PROTECTION STANDARD 701400	L. SUM	1.0	0.5	0.5
70400100	TEMPORARY CONCRETE BARRIER	FOOT	576.0	288.0	288.0
70400200	RELOCATE TEMPORARY CONCRETE BARRIER	FOOT	576.0	288.0	288.0
*78001110	PAINT PAVEMENT MARKING - LINE 4"	FOOT	810.0	405.0	405.0
X7015005	CHANGEABLE MESSAGE SIGN	CAL. DAY	28.0	14.0	14.0
△ Z0030250	IMPACT ATTENUATOR TEMPORARY, NON-REDIRECTIVE, TEST LEVEL 3	EACH	2.0	1.0	1.0
△ Z0030350	IMPACT ATTENUATOR RELOCATE, NON-REDIRECTIVE, TEST LEVEL 3	EACH	2.0	1.0	1.0
Z0075300	TIE BARS	EACH	360.0	180.0	180.0

* SPECIALITY ITEMS

△ SFTY-3N

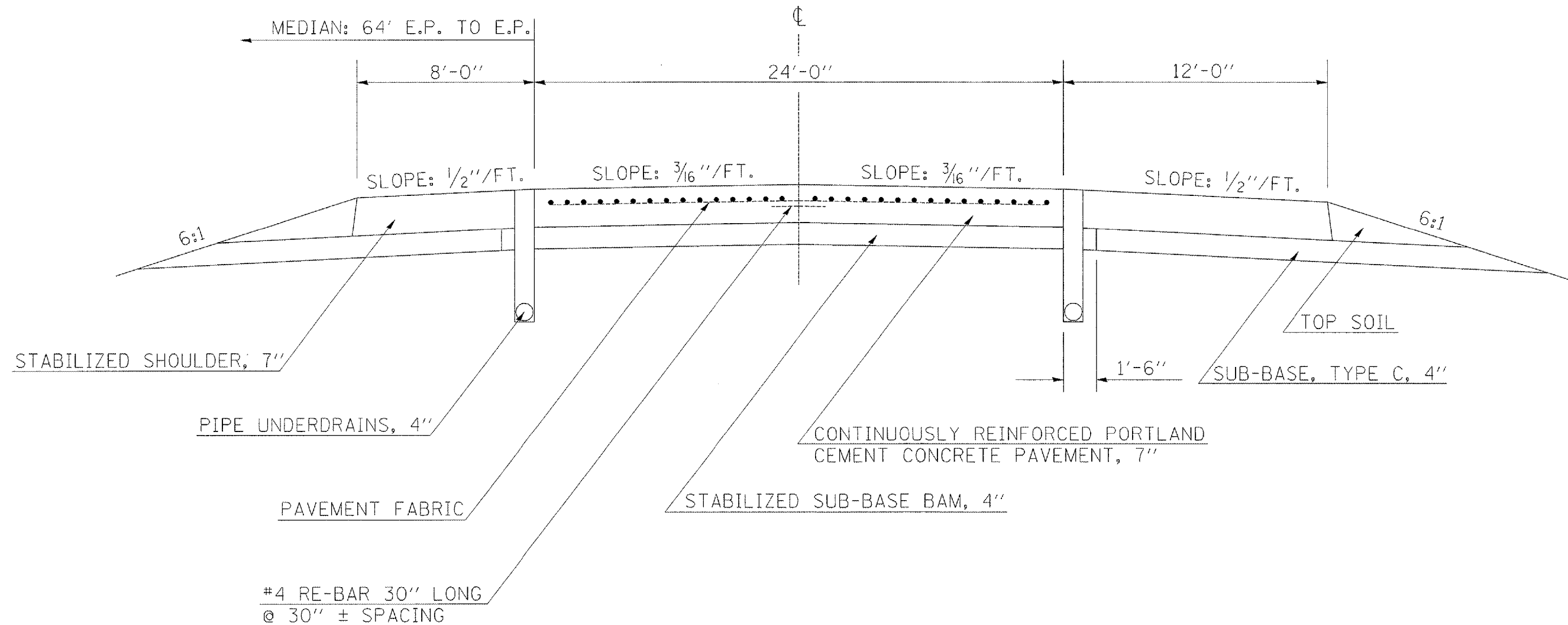
EXISTING TYPICAL CROSS SECTION

F.A.I. 57

STATION 1386+01 TO STATION 1387+81

F.A.I. RTE.	SECTION	COUNTY	TOTAL SHEETS	SHEET NO.
57	*	**	6	5

CONTRACT NO. 70456
* D-5 ANNUAL PATCHING 2005-5
** COLES AND DOUGLAS



F.A.I. RTE.	SECTION	COUNTY	TOTAL SHEETS	SHEET NO.
57	*	**	6	6

CONTRACT NO. 70456
 * D-5 ANNUAL PATCHING 2005-5
 ** COLES AND DOUGLAS

TABULATION OF CLASS A PAVEMENT PATCHING

STATION	DIRECTION	LANE	LENGTH (ft)	WIDTH (ft)	DEPTH (in)	PATCH AREA				SAW CUTS (ft)	TIE BARS (Each)	PATCHING REINFORCEMENT (sq. yd)
						TYPE I (sq. yd)	TYPE II (sq. yd)	TYPE III (sq. yd)	TYPE IV (sq. yd)			
1386+91	NB	DL	180	12	7	0.0	0.0	0.0	240.0	408.0	90	240.0
1386+91	NB	PL	180	12	7	0.0	0.0	0.0	240.0	408.0	90	240.0
1386+91	SB	DL	180	12	7	0.0	0.0	0.0	240.0	408.0	90	240.0
1386+91	SB	PL	180	12	7	0.0	0.0	0.0	240.0	408.0	90	240.0
SHEET TOTALS						0.0	0.0	0.0	960.0	1632.0	360.0	960.0
						(sq. yd)	(sq. yd)	(sq. yd)	(sq. yd)	(ft)	(Each)	(sq. yd)