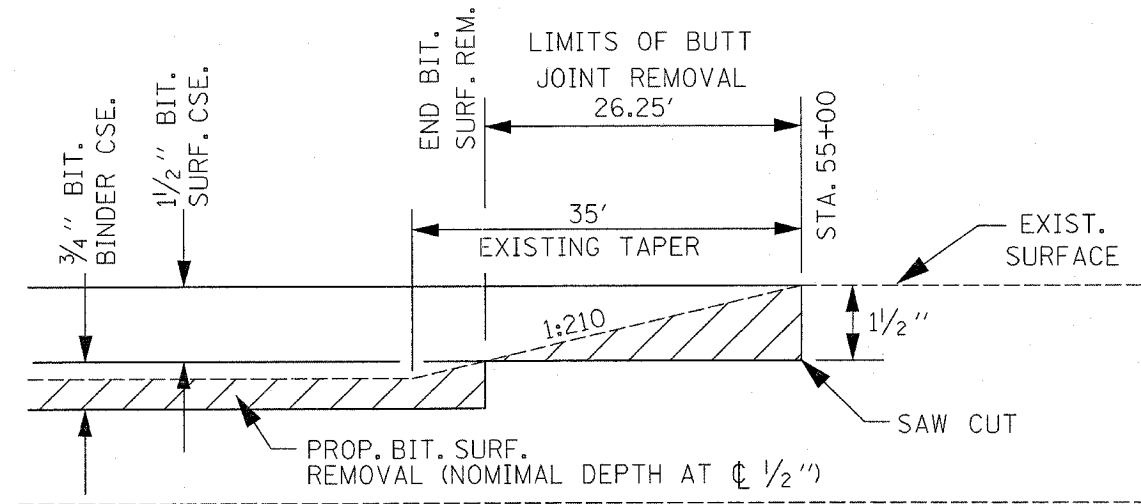


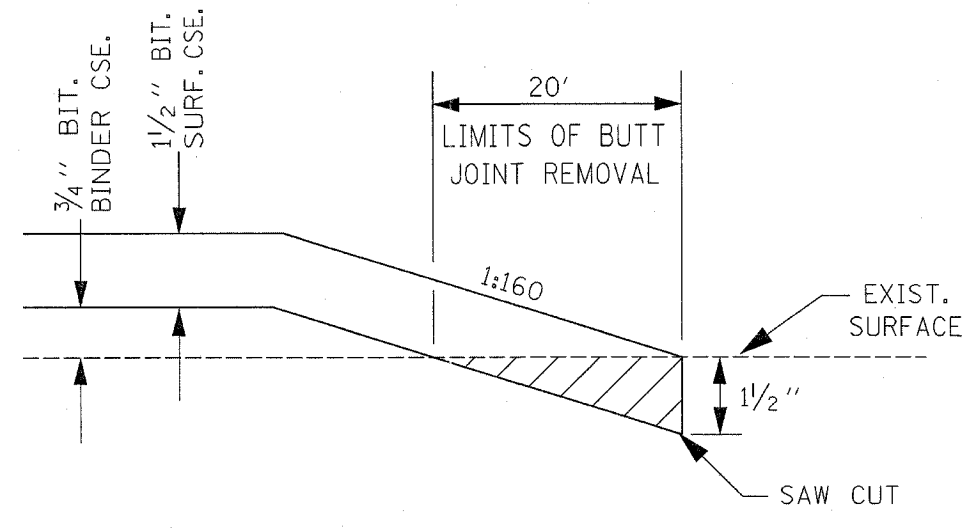
F.A.P. 71 (IL 54)

STA. 64+69.41 TO STA. 65+14.41 (N.B. LANES)
 STA. 66+90.50 TO STA. 67+35.50 (S.B. LANES)

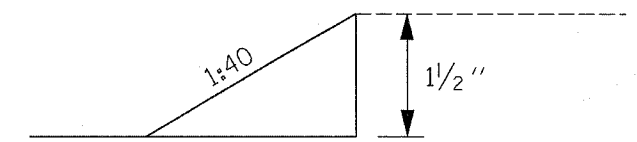


F.A.P. 71 (IL 54)

STA. 54+73.75 TO STA. 55+00.00

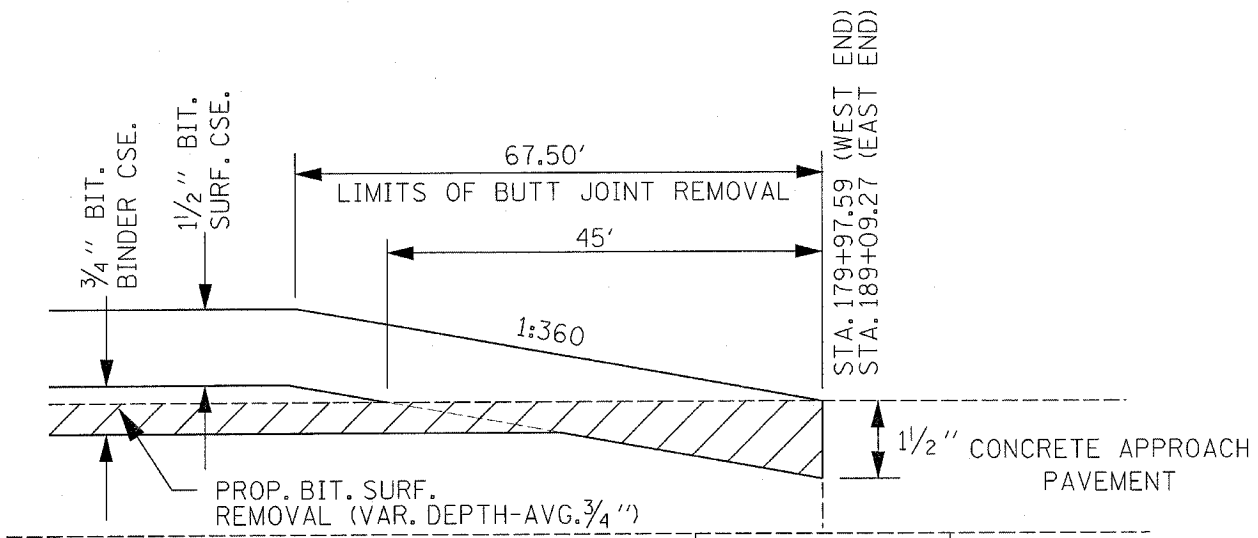


S. ALLEN DR. & SCHNEIDER



TEMPORARY RAMP DETAIL

STA. 64+69.91 TO STA. 64+74.91 (NB)
 STA. 66+90.50 TO STA. 66+95.50 (SB)
 STA. 179+92.59 TO STA. 179+97.59
 STA. 189+09.27 TO STA. 189+14.27
 STA. 54+95.00 TO STA. 55+00



F.A.P. 71 (IL 54)

STA. 179+30.09 TO STA. 179+97.59
 STA. 189+09.27 TO STA. 189+76.77

REVISIONS	
NAME	DATE
GUARDRAIL/TMJ	02-08-05

ILLINOIS DEPARTMENT OF TRANSPORTATION

BUTT JOINT DETAILS

SCALE: VERT. HORIZ.
 DATE 02-08-05

DRAWN BY TMJ
 CHECKED BY MEB

c:\projects\ed52901\jda.final.12-20-04\buttjointdetail.dgn
 2/10/2005
 *REF01