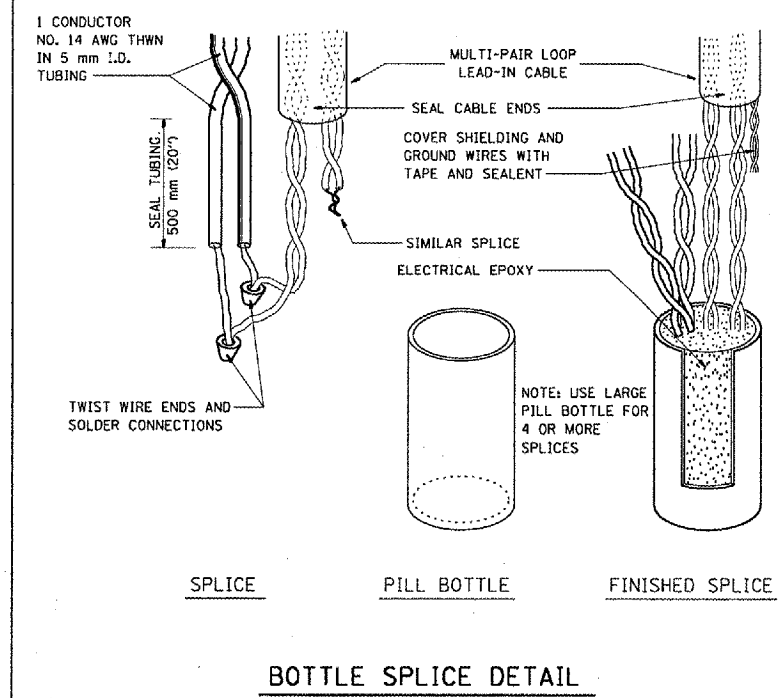
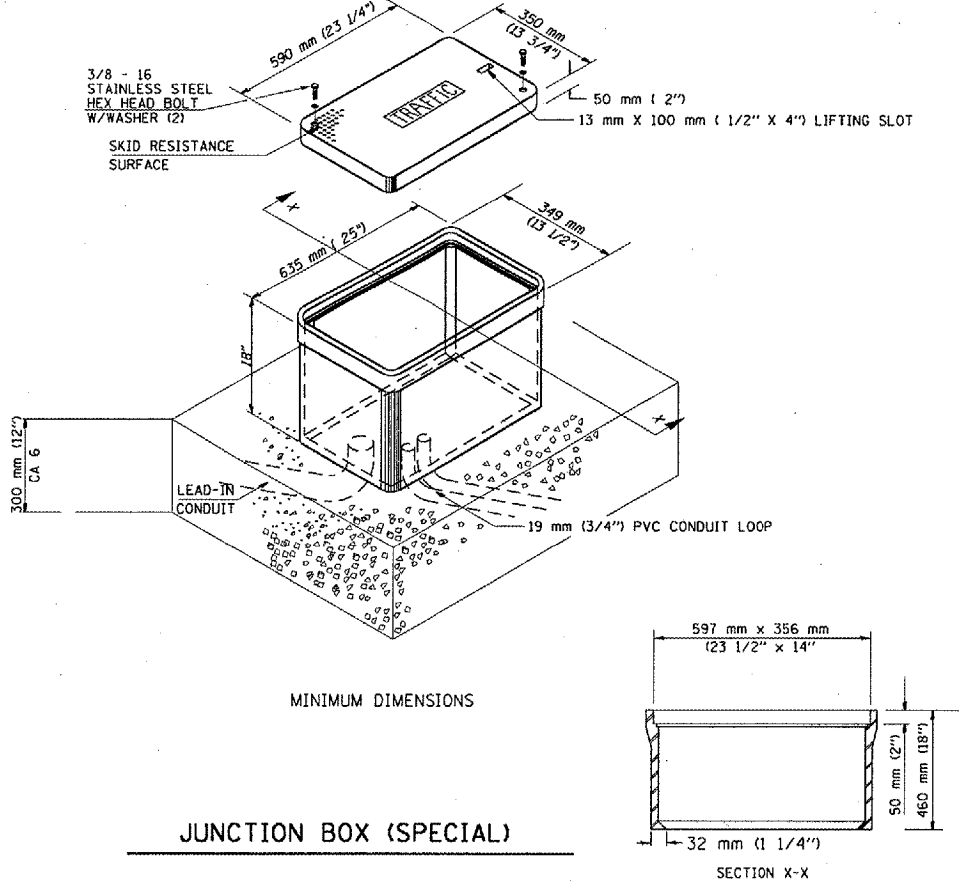
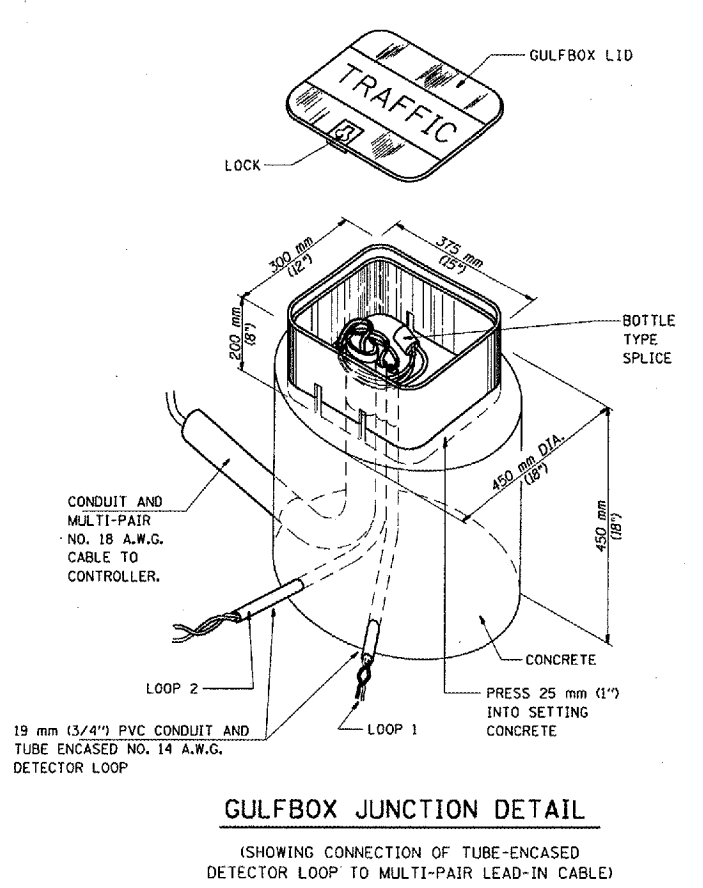
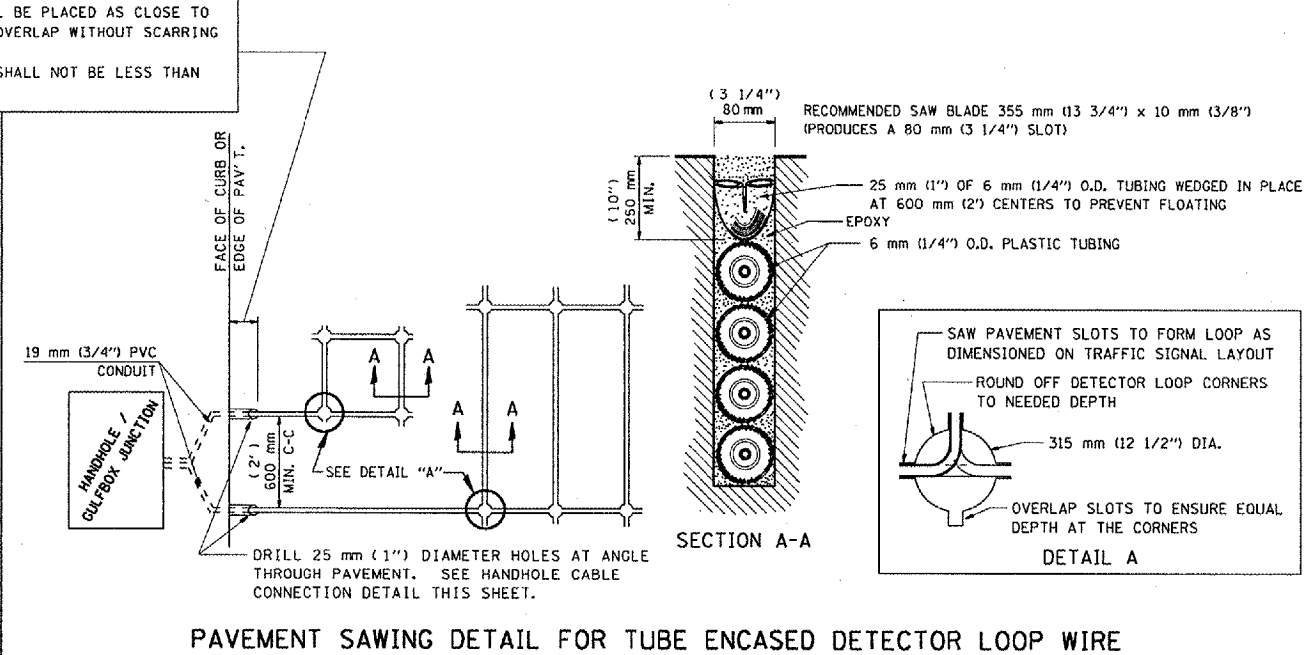
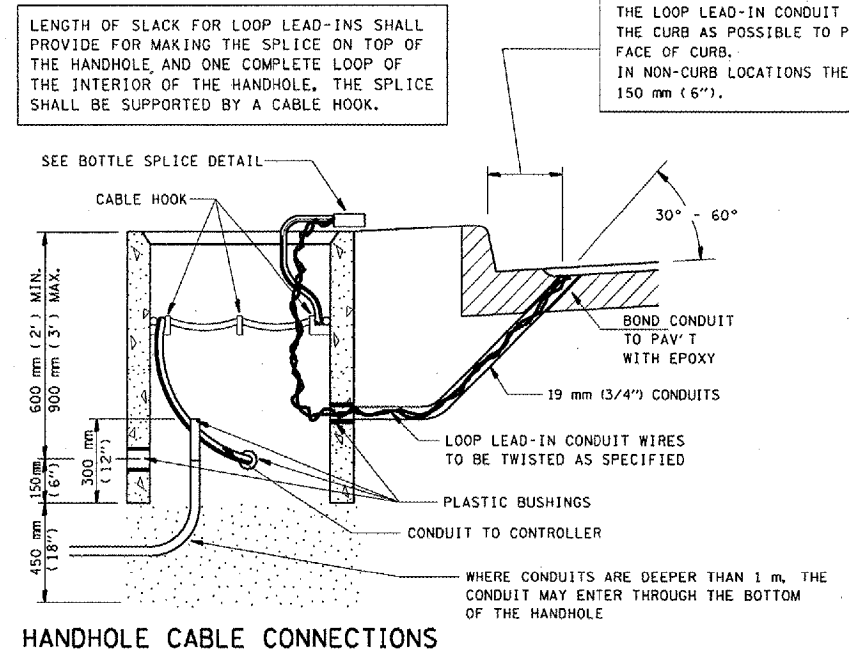


F.A.P. RTE.	SECTION	COUNTY	TOTAL SHEETS	SHEET NO.
662		SANGAMON	18	10
STA.		TO STA.		
FED. ROAD DIST. NO.	ILLINOIS	FED. AID PROJECT		

• D6 MEDIAN REPAIR 2005



DETLOOP

REVISIONS	
NAME	DATE

ILLINOIS DEPARTMENT OF TRANSPORTATION

**TRAFFIC SIGNAL DETECTOR LOOP DETAILS**

SCALE: VERT. HORIZ. DATE: MARCH 12, 1999 DRAWN BY WCD CHECKED BY