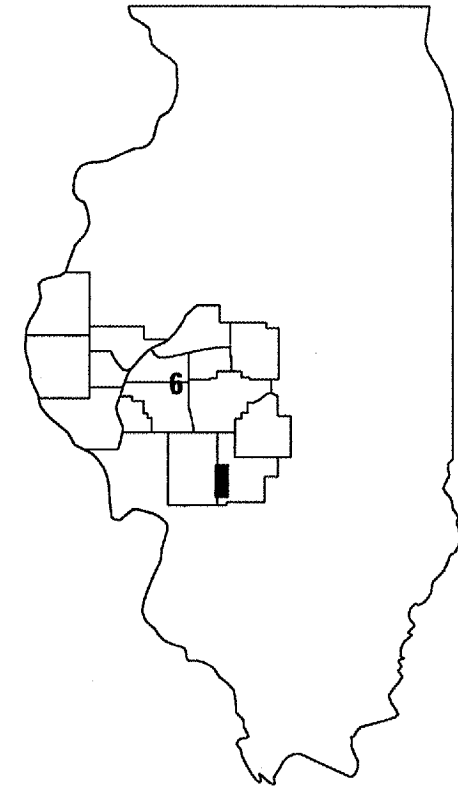


FOR INDEX OF SHEETS AND HIGHWAY  
STANDARDS, SEE SHEET 2.

STATE OF ILLINOIS  
DEPARTMENT OF TRANSPORTATION  
DIVISION OF HIGHWAYS

**PLANS FOR PROPOSED  
CONTRACT MAINTENANCE**

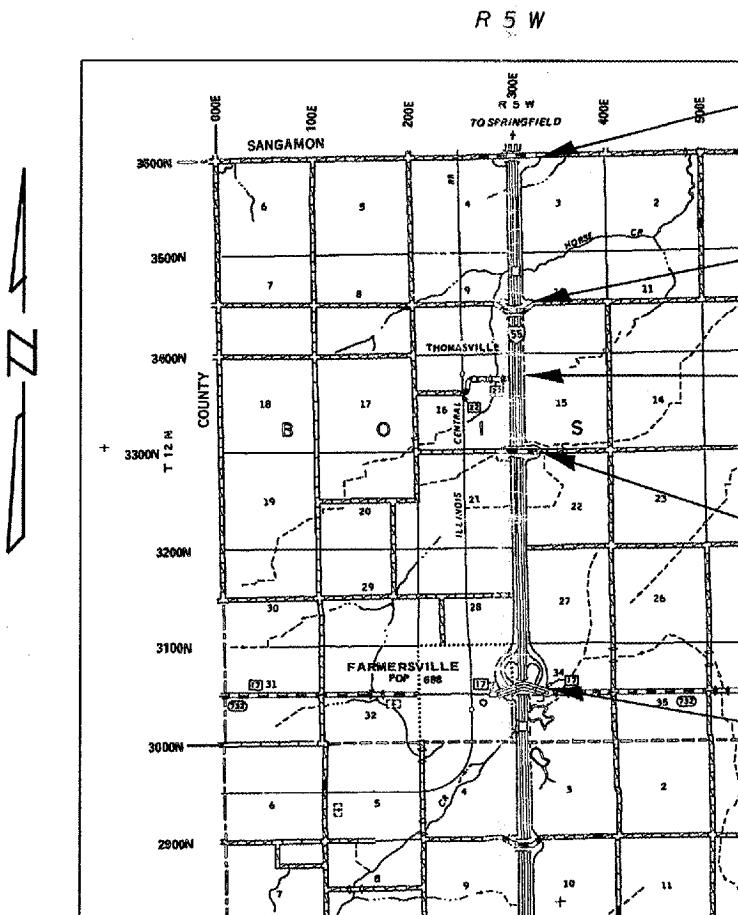
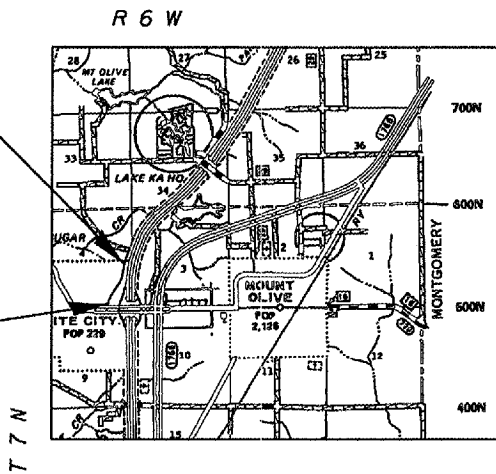
**FAI ROUTE 55 5 5.100, FAI 55 5 21.550 / (I-55WFR, I-55EFR)  
SECTION (59-2WFR)Q-1/(68-5EFR)Q-2  
MACOUPIN/MONTGOMERY COUNTY  
C96-025-05 / D96-011-05**



LOCATION OF SECTION INDICATED THUS: ■

BEGIN SECT.  
(59-2WFR)Q-1  
STATION 98+84

END SECT.  
(59-2WFR)Q-1  
STATION 128+41.31



BEGIN SECT.  
(68-5EFR)Q-2  
STA. 752+20.62

BEGIN OMISSION  
STA. 842+12.89

END OMISSION  
STA. 874+84

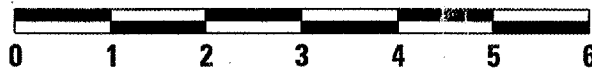
STA. EQUATION  
920+81.52bk  
=912+33.94ah

END SECT.  
(68-5EFR)Q-2  
STA. 1052+39.14

**J. U. L. I. E.**  
**JOINT UTILITY LOCATION INFORMATION FOR EXCAVATION**  
1-800-892-0123

DESIGN & PLANNING ENGINEER: CECIL DOWNING  
PLANS & CONTRACT TECHNICIAN: TIMOTHY SHARP  
PHONE: (217) 782-7743

NET LTH OF SEC



SCALE: 1" = 2 MILES

STATE OF ILLINOIS  
DEPARTMENT OF TRANSPORTATION  
DIVISION OF HIGHWAYS

SUBMITTED FEB. 22, 2005

Christ H. Reed  
DISTRICT ENGINEER

March 25, 2005

Mike Hine  
ENGINEER OF DESIGN AND ENVIRONMENT

March 25, 2005

Victor Modder  
DIRECTOR, DIVISION OF HIGHWAYS

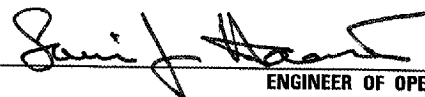

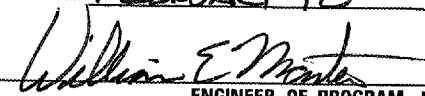
**CONTRACT NO. 72959**

INDEX

- 1 COVER
- 2 INDEX/STANDARDS/SIGNATURES
- 3 QUANTITIES
- 4 TYPICAL SECTIONS
- 5 SCHEDULES

STANDARDS

- 701001-01
- 701006-02
- 701011-01
- 701201-02
- 701301-02
- 701306-01
- 701311-02
- 702001-05
- 780001-01

<b>STATE OF ILLINOIS DEPARTMENT OF TRANSPORTATION DIVISION OF HIGHWAYS DISTRICT 6</b>	
EXAMINED	Feb. 7 20 05
 ENGINEER OF OPERATIONS	
EXAMINED	Jan 26 20 05
 ENGINEER OF PROGRAM IMPLEMENTATION	
EXAMINED	FEBRUARY 10 20 05
 ENGINEER OF PROGRAM DEVELOPMENT	

NOTES:

NO PASSING ZONES TO BE FIELD VERIFIED BY THE BUREAU OF OPERATIONS.  
THE RESIDENT ENGINEER SHALL NOTIFY THE BUREAU OF OPERATIONS 14 DAYS  
PRIOR TO PERMANENT PAVEMENT MARKING.

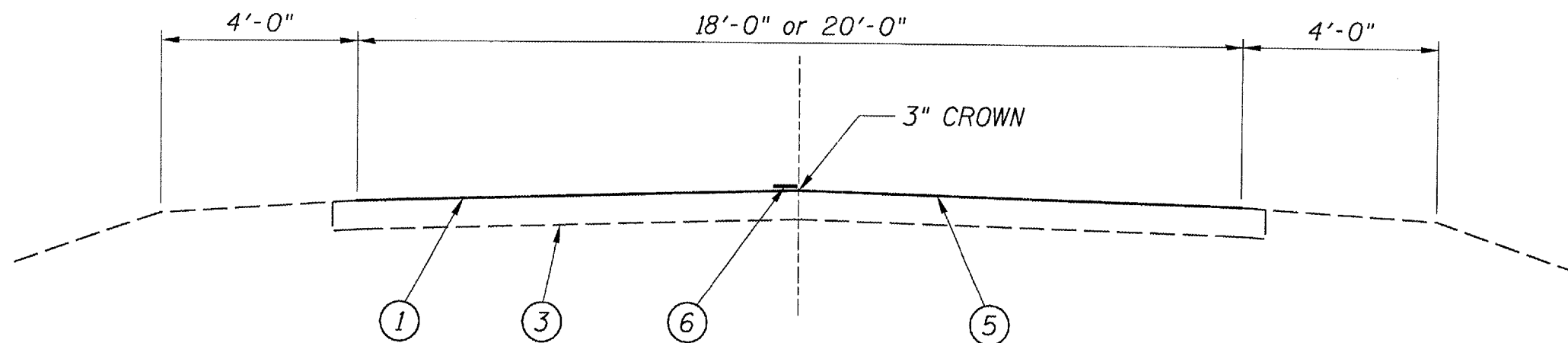
INDEX / STDS / SIGNATURES  
FAI 55 5 5.100, FAI 55 5 21.550/  
(I-55WFR, I-55EFR)  
SECT. (59-2WFR)Q-1/(68-5EFR)Q-2  
MACOUPIN/MONTGOMERY COUNTY

S U M M A R Y O F Q U A N T I T I E S

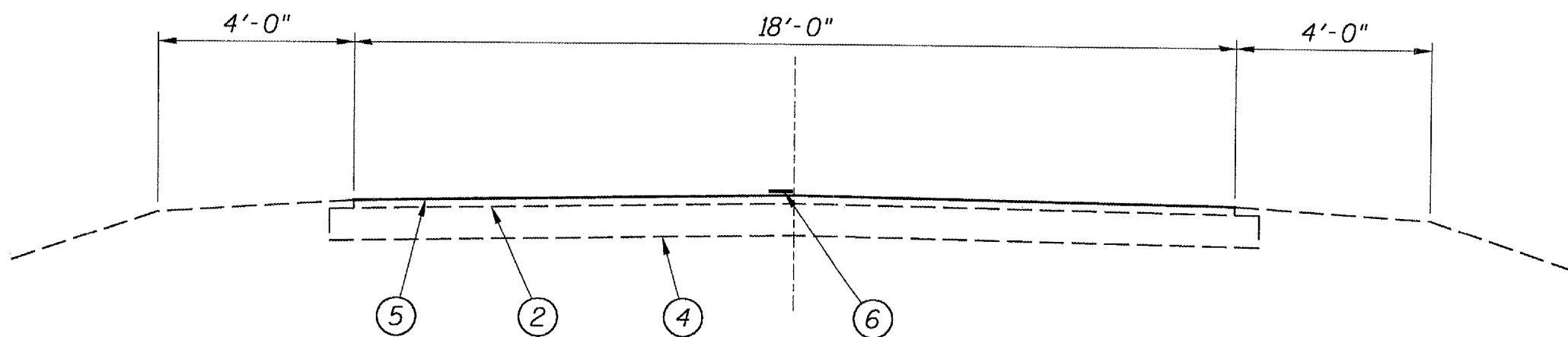
CODE NO.	ITEM	UNIT	MACOUPIN	MONTGOMERY	TOTAL QTY
			(68-5EFR)Q-2	(59-2WFR)Q-1	
			100% STATE	100% STATE	
			F000	F000	
			QUANTITY	QUANTITY	
40300400	BITUMINOUS MATERIALS (COVER AND SEAL COATS)	TON	8.6	85.4	94
40300600	SEAL COAT AGGREGATE	TON	58.5	584.5	643
67100100	MOBILIZATION	L SUM	0.1	0.9	1
70100450	TRAFFIC CONTROL AND PROTECTION, STANDARD 701201	L SUM	0.1	0.9	1
70100460	TRAFFIC CONTROL AND PROTECTION, STANDARD 701306	L SUM	0.1	0.9	1
70300100	SHORT-TERM PAVEMENT MARKING	FOOT	278	2,778	3,056
70301000	WORK ZONE PAVEMENT MARKING REMOVAL	SQ FT	92.5	924.5	1,017
* 78001120	PAINT PAVMENT MARKING - LINE 5"	FOOT	695	6,943	7,638

\*SPECIALTY ITEMS

QUANTITIES  
FAI 55 5 5.100, FAI 55 5 21.550/  
(I-55WFR, I-55EFR)  
SECT. (59-2WFR)Q-1/(68-5EFR)Q-2  
MACOUPIN/MONTGOMERY COUNTY



SECTION (68-5EFR)Q-2  
 STATION 752+20.62 TO 842+12.89 - 18 FT  
 STATION 874+84 TO 920+81.52 - 18 FT  
 STATION EQ. 920+81.52bk = 912+33.94ah  
 STATION 912+33.94 TO 1052+39.14 - 20 FT



SECTION (59-2WFR)Q-1  
 STATION 98+84 TO 128+41.31

LEGEND

- 1 - EXIST. BITUMINOUS SURFACE TREATMENT, CLASS A-3
- 2 - EXIST. BITUMINOUS MIXTURE COMPLETE 2"
- 3 - EXIST. AGGREGATE BASE COURSE, TYPE A 7"
- 4 - EXIST. AGGREGATE BASE COURSE, TYPE A 8"
- 5 - PROP. BITUMINOUS SURFACE TREATMENT, CLASS A-1
- 6 - PROP. PAINT PAVEMENT MARKING - LINE 5"

TYPICAL SECTIONS  
 FAI 55 5 5.100, FAI 55 5 21.550/  
 (I-55WFR, I-55EFR)  
 SECT. (59-2WFR)Q-1/(68-5EFR)Q-2  
 MACOUPIN/MONTGOMERY COUNTY

PAVEMENT MARKING SCHEDULE		
STATION	TYPE	PAINT PVT MK LINE 5"
		YELLOW
SECTION (59-2WFR)Q-1		
98+84 TO 128+41.31	SKIP DASH	740 FT
SECTION (68-5EFR)Q-2		
752+20.62 TO 842+12.89	SKIP DASH	2,248 FT
874+84 TO 920+81.52	SKIP DASH	1,149 FT
912+33.94 TO 1052+39.14	SKIP DASH	3,501 FT
TOTALS		7,638 FT

NOTES:  
1. STATIONS ARE APPROXIMATE.

SCHEDULES  
FAI 55 5 5.100, FAI 55 5 21.550/  
(I-55WFR, I-55EFR)  
SECT. (59-2WFR)Q-1/(68-5EFR)Q-2  
MACOUPIN/MONTGOMERY COUNTY