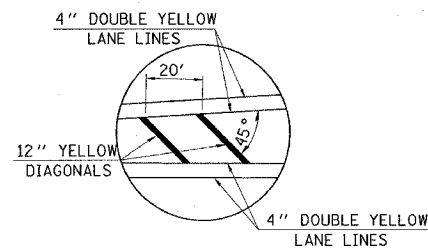
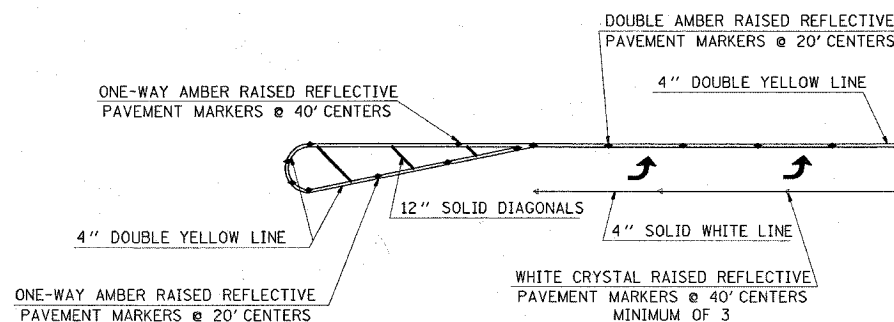


FAP ROUTE	SECTION	COUNTY	TOTAL SHEETS	SHEET NO
785	132-31, 133RS-5	MADISON	29	21
STA.	TO STA.			
CONTRACT NO.: 76796				



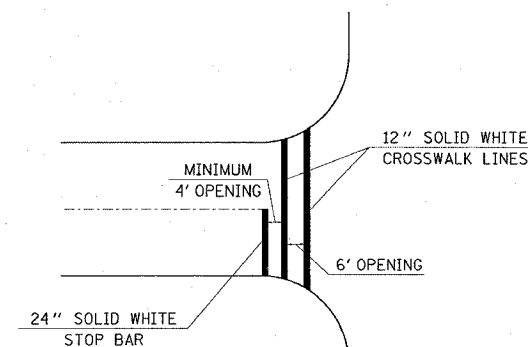
TYPICAL APPLICATION FOR MEDIAN STRIPING

DETAIL 'A'
NOT TO SCALE



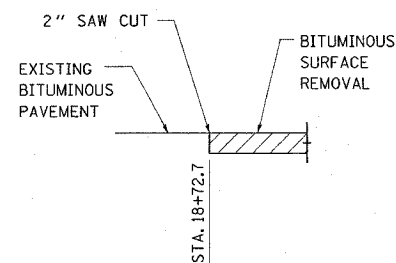
TYPICAL APPLICATION FOR LEFT TURN LANE WITH RAISED REFLECTIVE PAVEMENT MARKERS

DETAIL 'B'



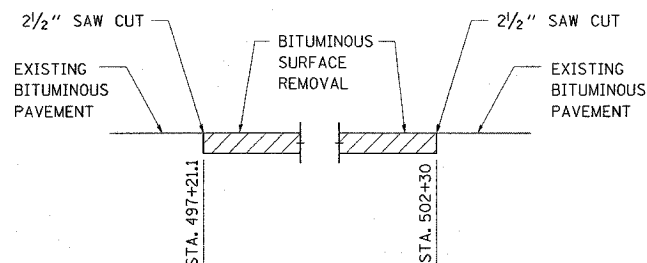
TYPICAL APPLICATION FOR CROSSWALK

DETAIL 'C'



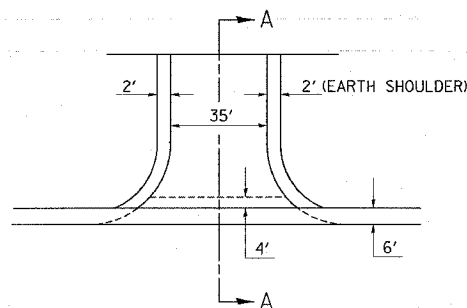
LOCATION 1
BITUMINOUS SURFACE REMOVAL AND SAWCUT DETAIL

DETAIL 'D'

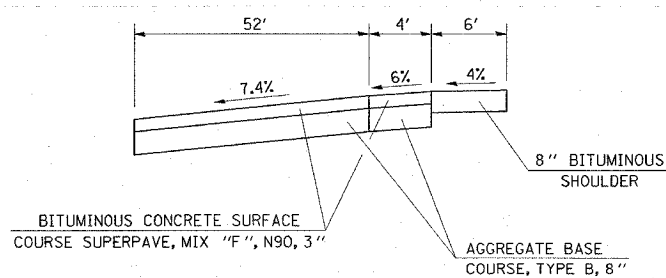


LOCATION 2
BITUMINOUS SURFACE REMOVAL AND SAWCUT DETAIL

DETAIL 'E'



LOCATION 1
ENTRANCE DETAIL 'F'
STA. 96+61.31



LOCATION 1
SECTION A-A
ENTRANCE DETAIL 'F'

REVISIONS	
NAME	DATE

ILLINOIS DEPARTMENT OF TRANSPORTATION
MISCELLANEOUS DETAILS
LOCATIONS 1 & 2

FAP ROUTE 785
SECTION 132-31, 133RS-5
MADISON COUNTY

DRAWN BY:

PLOT DATE: Tuesday February 08, 2005 @ 11:24:40 AM

DATE	
BY	
DESIGNED	
PLANNED	
ALIGNED	
CHECKED	
NO.	
PLAN	
NOTE BOOK	
NO.	

2/08/2005
Tuesday, February 08, 2005 @ 11:24:40 AM
c:\p0\projects\76796\plan\coveva.dgn L:\j1-63