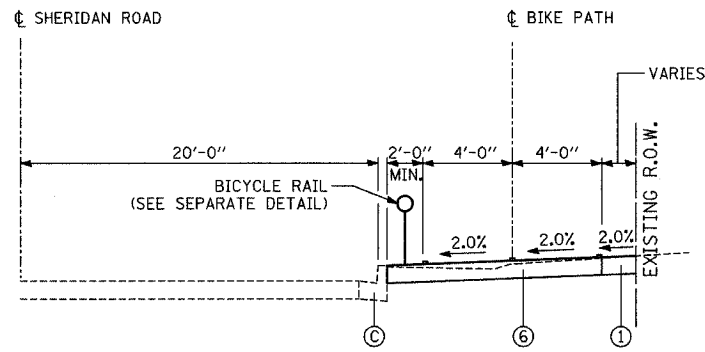
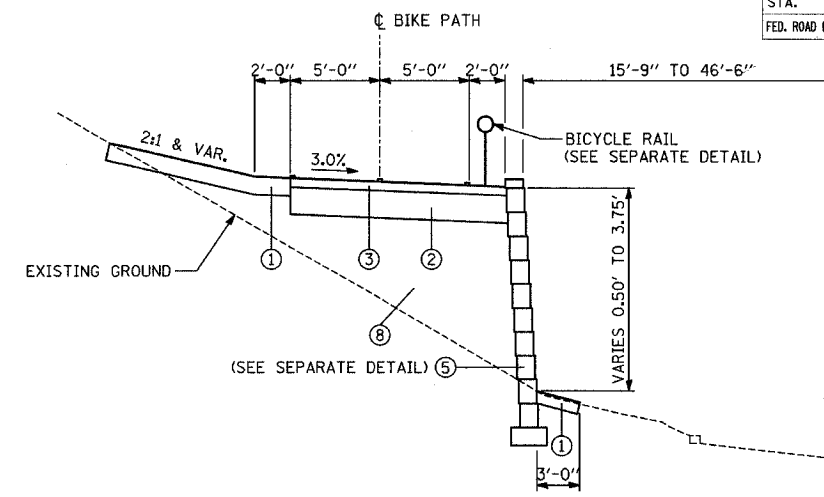


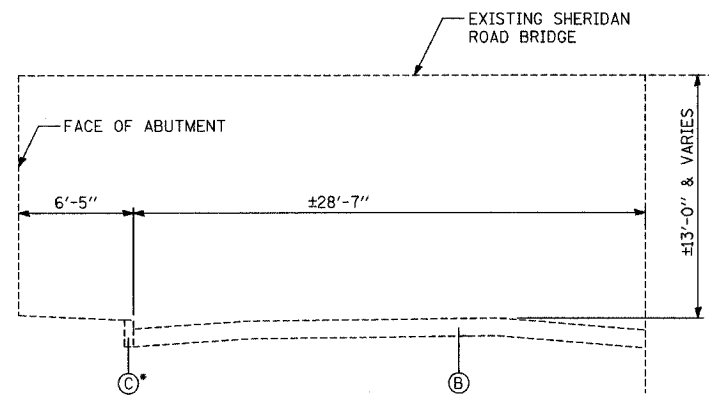
EXISTING TYPICAL SECTION
FROM STA 0+25 TO 5+62



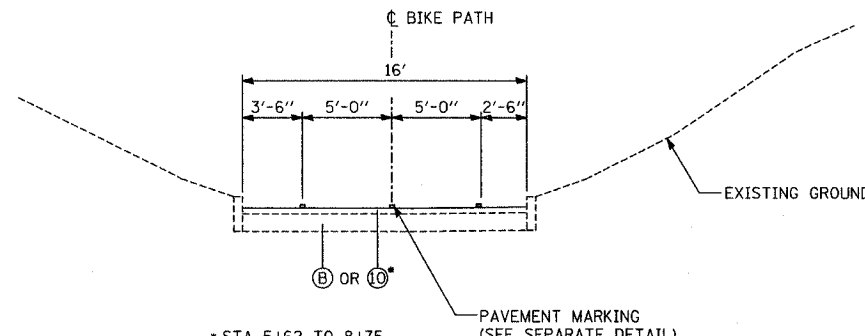
PROPOSED TYPICAL SECTION
FROM STA 3+52 TO 4+35



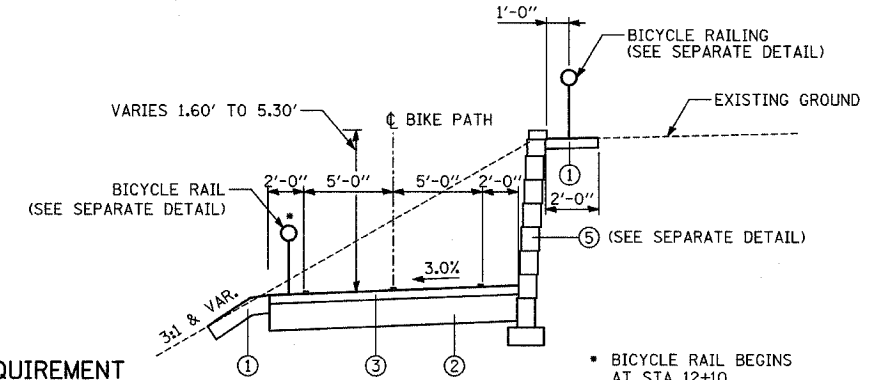
PROPOSED TYPICAL SECTION
FROM STA 10+70 TO 11+65



EXISTING TYPICAL SECTION
FROM STA 5+60 TO 10+60



PROPOSED TYPICAL SECTION
FROM STA 5+62 TO 9+93



PROPOSED TYPICAL SECTION
FROM STA 11+65 TO STA 12+45

• REMOVE PCC CURB STA 6+18 TO 7+64

• STA 5+62 TO 8+75
• STA 6+18 TO 7+64

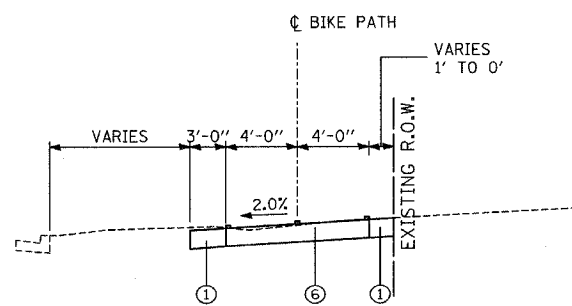
• BICYCLE RAIL BEGINS AT STA 12+10

BITUMINOUS MIXTURE REQUIREMENT

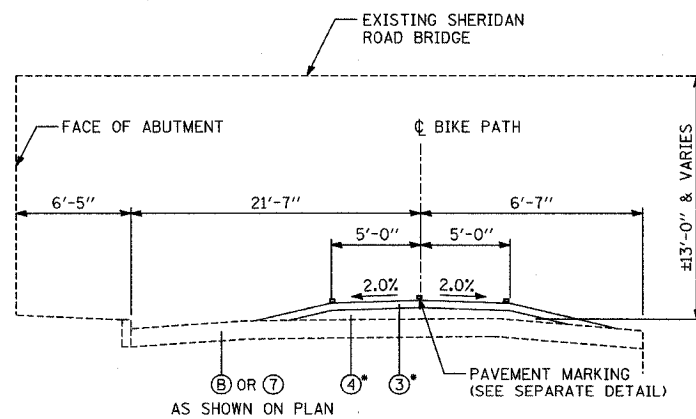
ITEM	AC TYPE	VOIDS	RAP%
BITUMINOUS CONCRETE SURFACE COURSE, SUPERPAVE, MIXTURE C, N50	PG 64-22	4% _ø 50GYR	15%
LEVELING BINDER (MACHINE METHOD) SUPERPAVE, N50	PG 64-22	4% _ø 50GYR	15%

LEGEND:

- (A) EXISTING PCC SIDEWALK, 5"
- (B) EXISTING PCC DRIVEWAY, 8"± OR BIT. OVER PCC DRIVEWAY
- (C) EXISTING PCC CURB OR CURB & GUTTER
- (1) TOPSOIL, 4" AND SODDING
- (2) AGGREGATE BASE COURSE, TYPE B - 9"
- (3) BITUMINOUS CONCRETE SURFACE COURSE, SUPERPAVE, MIX C, N50, 3"
- (4) LEVELING BINDER (MACHINE METHOD), SUPERPAVE, N50
- (5) SEGMENTAL CONCRETE BLOCK WALL
- (6) PORTLAND CEMENT CONCRETE SIDEWALK, 5"
- (7) PORTLAND CEMENT CONCRETE DRIVEWAY, 6"
- (8) POROUS GRANULAR EMBANKMENT
- (9) NOT USED
- (10) BITUMINOUS CONCRETE SURFACE COURSE, SUPERPAVE, MIX C, N50, 2"

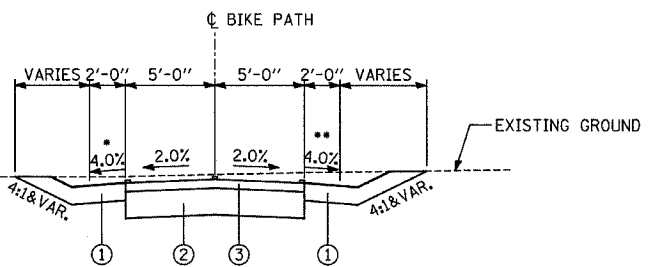


PROPOSED TYPICAL SECTION
FROM STA 0+00 TO 3+52
FROM STA 4+35 TO 5+62



PROPOSED TYPICAL SECTION
FROM STA 9+93 TO 10+70

• STA 10+35 TO 10+66



PROPOSED TYPICAL SECTION
FROM STA 12+45 TO STA 13+85.19

• CONCRETE BLOCK WALL AND ORNAMENTAL FENCE FROM STA 12+45 TO 12+85
• CONCRETE BLOCK WALL FROM STA 12+85 TO 13+10

REVISIONS	
NAME	DATE

ILLINOIS DEPARTMENT OF TRANSPORTATION
SHERIDAN ROAD BIKE PATH
EXISTING AND PROPOSED
TYPICAL SECTIONS

SCALE: NONE
DATE: 11/05/2004
DRAWN BY: MB
CHECKED BY:

PLAN
DATE
BY
SURVEYED
CHECKED
ALIGNMENT
RT. OF WAY
NO. OF WAY CHECKED
NO. FILE NAME

PROFILE
DATE
BY
SURVEYED
CHECKED
E.M. NOTED
FRANCHISE NOTATIONS OK/NO