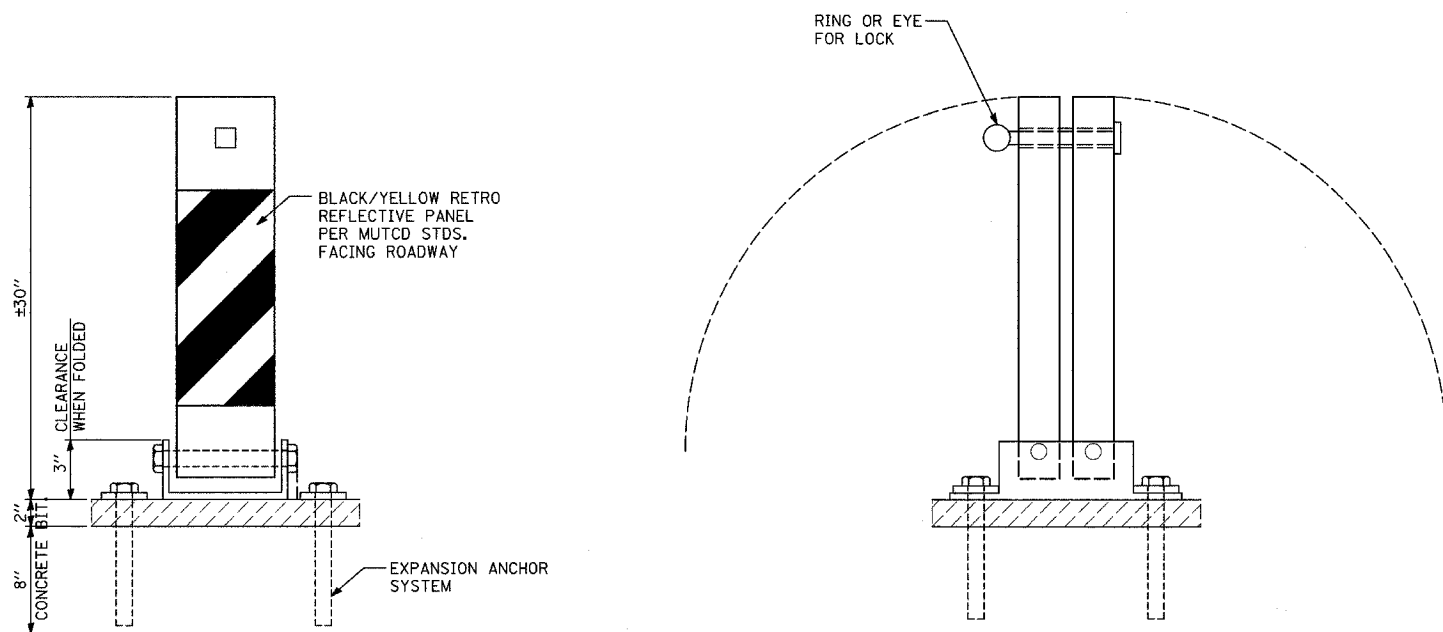
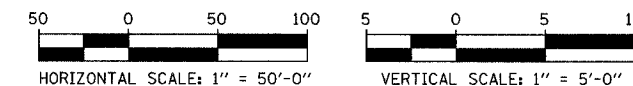


F.A.P. RTE.	SECTION	COUNTY	TOTAL SHEETS	SHEET NO.
	01-00177-00-BT	COOK	18	8
STA.	TO STA.			
FED. ROAD DIST. NO.	ILLINOIS	FED. AID PROJECT		
CONTRACT NO. 83780				

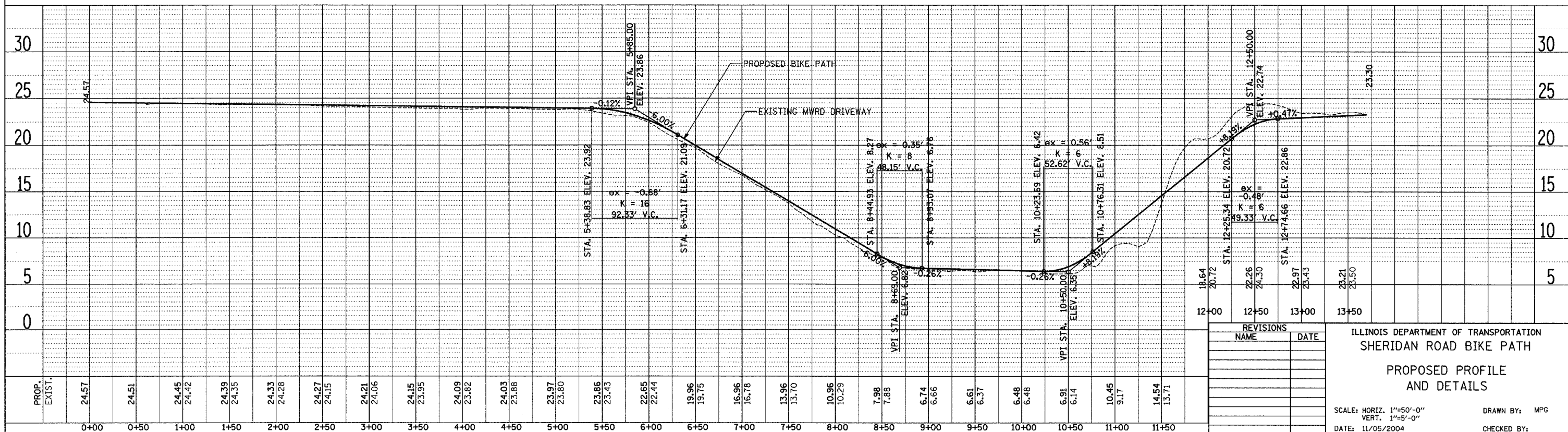


FOLD DOWN BOLLARD
NOT TO SCALE



PLAN	SURVEYED	DATE
NOTE BOOK NO.	ALIGNMENT CHECKED	
	BY	
	BY	
	BY	
	BY	
	BY	
	BY	
	BY	
	BY	

PROFILE	SURVEYED	DATE
NOTE BOOK NO.	GRADES CHECKED	
	BY	
	BY	
	BY	
	BY	
	BY	
	BY	
	BY	
	BY	



REVISIONS	
NAME	DATE

ILLINOIS DEPARTMENT OF TRANSPORTATION
SHERIDAN ROAD BIKE PATH
PROPOSED PROFILE
AND DETAILS

SCALE: HORIZ. 1"=50'-0"
VERT. 1"=5'-0"
DATE: 11/05/2004

DRAWN BY: MPG
CHECKED BY: