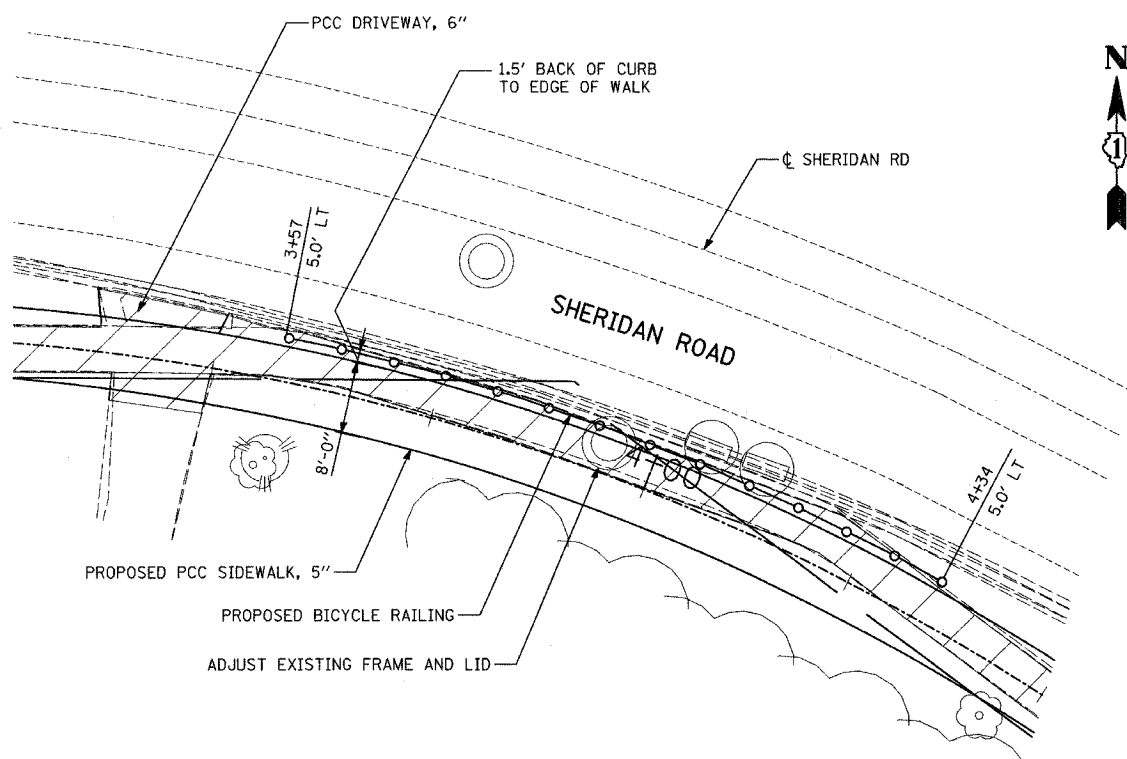
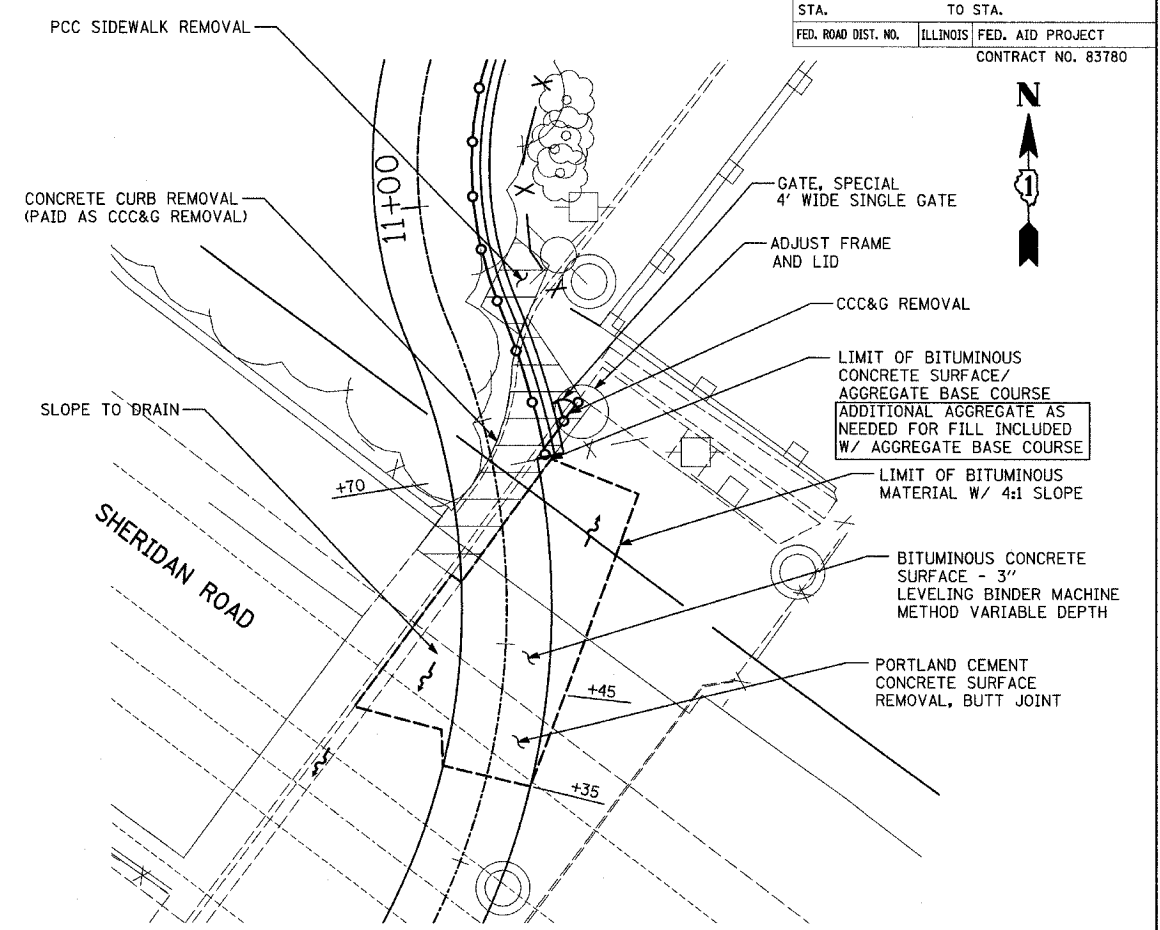


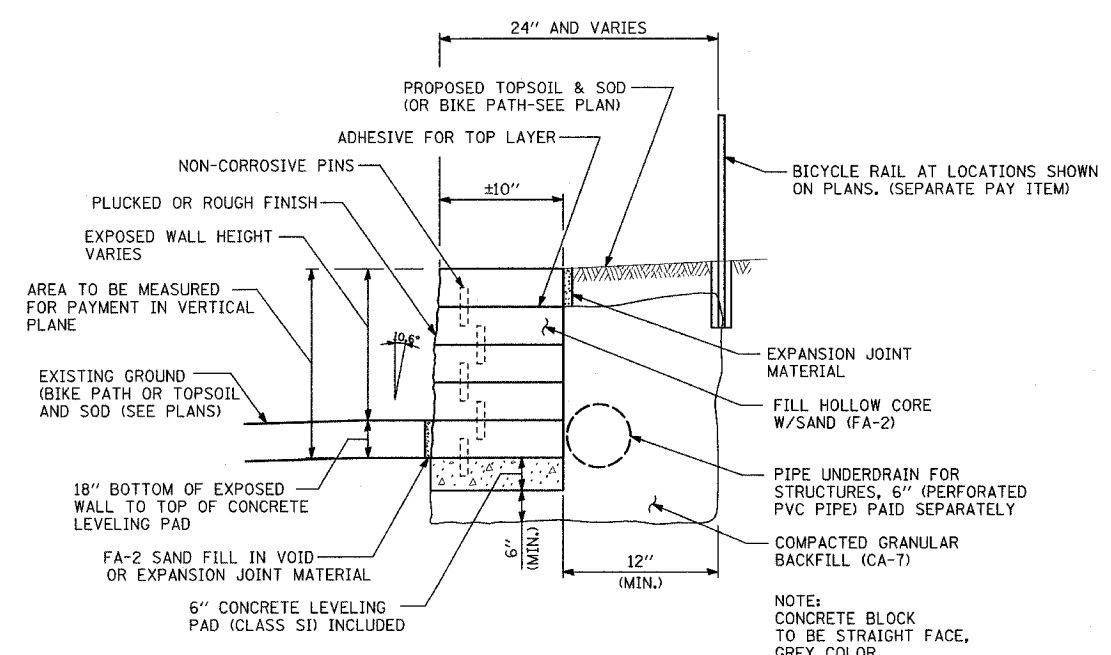
F.A.P. RTE.	SECTION	COUNTY	TOTAL SHEETS	SHEET NO.
01-00177-00-BT	COOK		18	10
STA.	TO STA.			
FED. ROAD DIST. NO.	ILLINOIS	FED. AID PROJECT	CONTRACT NO. 83780	



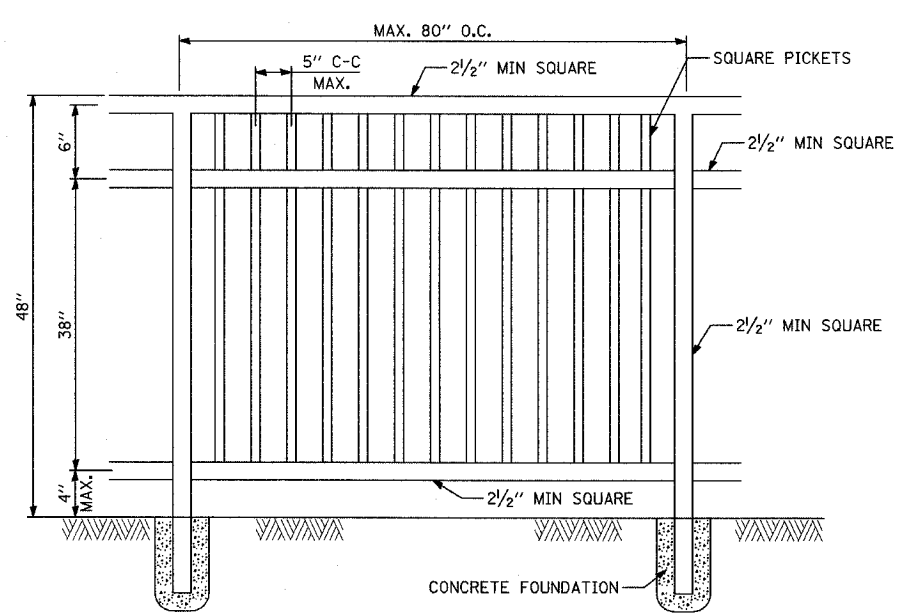
DETAIL 1
STA. 3+35 TO STA. 4+35



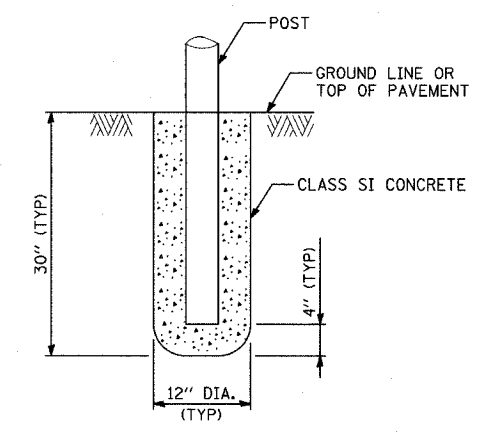
DETAIL 2
STA. 10+35 TO STA. 11+00



SEGMENTAL CONCRETE BLOCK WALL



BICYCLE RAILING



FOOTING FOR POST

RAILING NOTES

1. BICYCLE RAILING EQUIVALENT TO COMMERCIAL GRADE FENCE IN ALUMINUM OR STEEL W/ POLYESTER POWDER COAT FINISH (BLACK)
2. ALL FENCE AND RAIL TO BE STRAIGHT PANELS IN BETWEEN SUPPORT POSTS

REVISIONS	
NAME	DATE

ILLINOIS DEPARTMENT OF TRANSPORTATION
SHERIDAN ROAD BIKE PATH

DETAILS

SCALE: 1"=10'-0"

DATE: 11/05/2004

DRAWN BY:

CHECKED BY:

DATE	
BY	
PLAN	
REVISIONS	
NOTES	
NO.	

DATE	
BY	
PROFILE	
REVISIONS	
NOTES	
NO.	