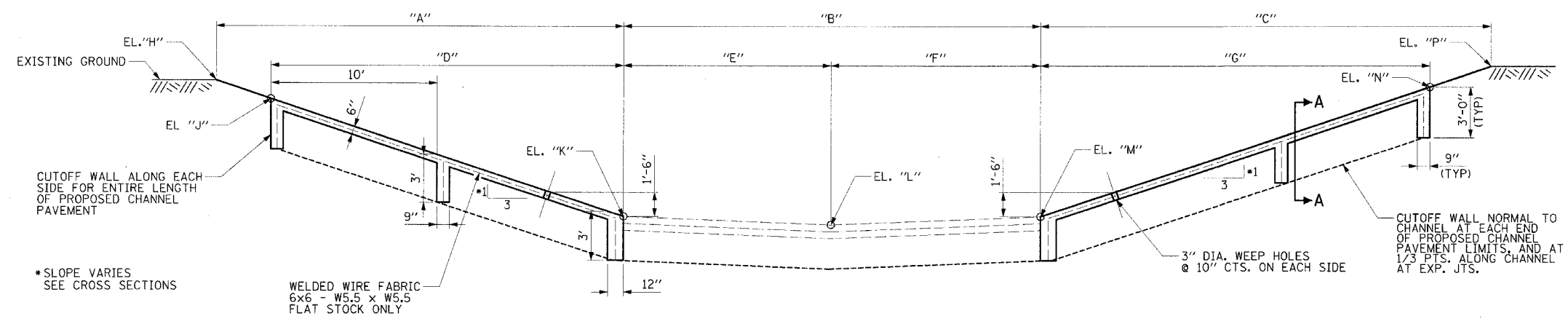
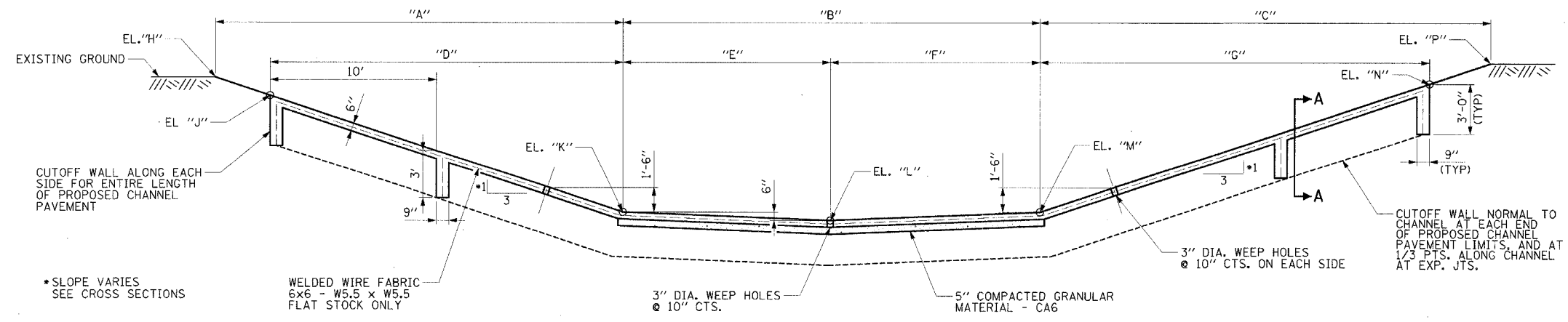


TABLE - CHANNEL PAVEMENT DIMENSIONS & ELEVATIONS

CHANNEL STATION	DIMENSIONS							ELEVATIONS						
	A	B	C	D	E	F	G	H	J	K	L	M	N	P
20+00.00	24.8	20.0'	25.0'	23.4'	10.0'	10.0'	23.5'	765.00	764.52	756.72	756.22	756.72	764.56	765.05
20+50.00	25.1'	24.2'	31.3'	22.3'	11.9'	12.3'	23.2'	765.17	764.23	756.80	756.30	756.80	764.53	764.72
20+64.33	24.5'	24.9'	28.6'	21.1'	12.4'	12.5'	23.3'	764.96	763.83	756.80	756.30	756.80	764.56	764.98
20+78.67	25.4'	25.0'	28.4'	20.5'	12.5'	12.5'	23.5'	765.28	763.66	756.81	756.31	756.81	764.66	764.89
20+95.56	25.8'	25.9'	41.7'	23.2'	12.9'	12.9'	23.2	765.52	764.65	756.93	756.43	756.93	764.65	766.16
21+48.59	25.7'	25.8'	32.8'	21.9'	12.9'	12.9'	21.9'	765.93	764.65	757.35	756.85	757.35	764.65	766.37
21+80.00	24.7'	21.5'	26.2'	20.9'	10.7'	10.7'	21.1'	765.72	764.45	757.48	756.98	757.48	764.51	766.21
22+30.00	25.1'	20.0'	28.7'	22.2'	9.1'	10.9'	20.3'	765.62	764.70	757.67	NA	757.66	764.59	767.46
22+80.00	NA	20.0'	NA	22.6'	9.8'	10.2'	19.7'	NA	765.45	757.87	NA	757.83	766.05	NA
23+30.00	NA	20.0'	NA	23.5'	10.0'	9.9'	19.1'	NA	766.64	758.07	NA	758.00	766.37	NA
23+80.00	NA	19.8'	NA	23.7'	9.9'	9.9'	19.3'	NA	767.60	758.19	NA	758.13	766.97	NA
24+30.00	NA	19.9'	NA	24.3'	10.1'	9.8'	18.8'	NA	768.61	758.36	NA	758.26	766.91	NA
24+45.07	NA	20.0'	NA	24.3'	10.3'	9.7'	18.8'	NA	767.74	758.38	NA	758.27	767.75	NA



TYPICAL CHANNEL PAVEMENT SECTION WITHIN BLOOMINGTON-NORMAL WATER RECLAMATION DISTRICT SECTION
(LOOKING UPSTREAM)
STA. 22+38.25 TO STA. 22+45.07



TYPICAL CHANNEL PAVEMENT SECTION WITHIN PROJECT LIMITS
(LOOKING UPSTREAM)
STA. 20+00.00 TO STA. 22+38.25

NOTE:
SEE CHANNEL LINING PLAN SHEET
FOR CHANNEL LAYOUT.

CHANNEL LINING DETAIL
FELL AVENUE
BRIDGE REPLACEMENT

DRAWN RSJ 10-22-04 DESIGNED MH 10-5-04
 CHECKED LDK 10-25-04 CHECKED LDK 10-25-04
 FILE: 03S2019 DATE: 2-2-05

